

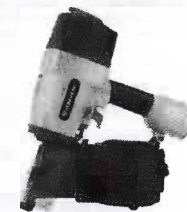
ZHEJIANG RONGPENG AIR TOOLS CO.,LTD

WWW.RONGPENG.COM

MADE IN CHINA



## OPERATING INSTRUCTIONS FOR FASTENER DRIVING TOOLS OPERATED BY COMPRESSED AIR



### Air Nailer –Coil nailer

Model No.:MCN90



**IMPORTANT:**  
Read all safety rules and operating instructions carefully before first use it. Keep this Manual for future reference.

#### Residual risks

Even when the tool is used as prescribed it is not possible to eliminate all residual risk factors. The following hazards may arise in connection with the tool's construction and design:

- Damage to lungs if an effective dust mask is not worn.
- Damage to hearing if effective hearing protection is not worn.
- Wear eye protection.
- Health defects resulting from vibration emission if the power tool is being used over longer period of time or not adequately managed and properly maintained.



#### Content

1 Technical data	2.7 Actuating systems
1.1 Fastener	3 Compressed air system
1.2 Accessories	4 Preparing the tool for use
1.3 Description/Features	4.1 Preparing a tool for first operation
1.4 Location of Parts	4.2 Connection to the Compressed air system
2 Special references	4.3 Filling the magazine
2.1 Regulations	4.4 Handling the tool
2.2 Noise emission	5. Maintenance
2.3 information on mechanical impact (vibration)	6 Troubleshooting
2.4 Safety of fastener driving tool	7 explode drawing
2.5 Safety at work	8 Spare parts list
2.6 Triggering devices	

Air Nailer MCN90

www.rongpeng.com

## 1 Technical data

Type of tool	MCN90	Required pressure	90-110PSI(6.3-7.5bar)
Outline dimension	376*356*132mm	Max. pressure	120PSI (8.3bar)
Weight (without fasteners)	4.25kg(9.35Lb)	Recommended lubricant	white mineral oil 10 #

1.1 **Fastener:** Fastener size & Nail length: Drives (Dia.2.87-3.7mm)and length (45mm,50mm,65mm, 70mm, 75mm, 83mm, 90mm) wire welded coil nails. Magazine capacity: 225pcs

1.2 **Accessories:** Hexagon Key                      Lubricant                      Operating instruction

### 1.3 Description/Features

#### Features:

\*Rugged magazine, Drives 225 nails continuously by full-loading. Multi-directional exhaust, Comfortable rubber grip

\*Equipped with dust cover and body protector

#### Applications

\*Making pallets, drums and export wooden boxes    \*Crating                      \*Making wooden fence

\*Heavy-duty packaging                      \*General construction applications including siding, decking and sheathing

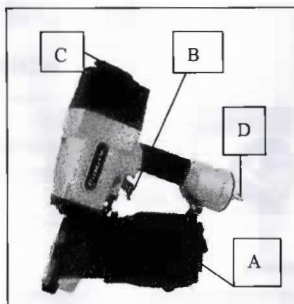
### 1.4 Locations of Parts (see Figure 1)

A-Magazine

B-Trigger

C-Exhaust Vent

D- Air Quick Coupler



## 2 Special references

### 2.1 Instructions

The following standard is applicable to fastener driving tools; EN792-13:2000+A1:2008"Hand-held non-electric power tools-safety requirements – Part 13: Fastener driving tools".

This standard requires that

- only those fasteners which are specified in the operating instructions (see TECHNICAL DATA)shall be used in fastener driving tools. The fastener driving tool and the fasteners specified in the operating instructions are to be considered as one unit safety system;
- quick action couplings shall be used for connection to the compressed air system and the non-sealable nipple must be fitted at the tool in such a way that no compressed air remains in the tool after disconnection;
- oxygen or combustible gases shall not be used as an energy source for compressed air operated fastener driving tools;
- fastener driving tools shall only be connected to an air-supply where the maximum allowable pressure of the tool cannot be exceeded by more than 10%;in the case of higher pressure ,a pressure reducing valve which includes a downstream safety valve shall be built into the compressed air supply;
- only spare parts specified by the manufacturer or his authorized representative shall be used in the repair of fastener driving tools;
- repairs shall be carried out only by the manufacturers authorized agents or by other experts, having due regard to the information given in the operating instructions.
- stands for mounting the fastener driving tools to a support, for example to a work table, shall be designed and constructed by the stand manufacturer in such a way that the fastener driving tools can be safely fixed for the intended use, thus for example avoiding damage, distortion, displacement.
- Special fields of application for the fastener driving tool may require the observance of additional provisions and regulations.
- only the main energy and lubricants listed in the operating instructions may be used:
- fastener driving tools marked with an inverted equilateral triangle standing on one point may only be used with an effective

safety yoke;

- for the maintenance of fastener driving tools, only spare parts specified by the manufacturer or his authorized representative shall be used;
- repairs shall be carried out only by agents authorized by the manufacturer or by other specialists, having due regard to the information given in the operating instructions;

NOTE: Specialists are those who, as a result by professional training or experience, have sufficient expertise in the field of fastener driving tools and sufficient familiarity with relevant government al industrial protection provisions, accident prevention regulations, directives and generally recognized technical regulations(e.g. CEN-and CENELEC-standards),to be able to assess the safe working condition of fastener driving tools.

## 2.2 Noise emission

The characteristic noise values for the fastener driving tool have been determined in accordance with EN12549:1999 and EN ISO4871"Acoustics-Noise test code for fastener driving tools-Engineering method"(see Technical Data).

## 2.3 Information on mechanical impact (vibration)

The characteristic vibration values for the fastener driving tool have been determined in accordance with ISO 8662-11:1999 and EN 12096 – Measurement of vibration in hand-held power tools – Part 11:Fastener driving tools(see Technical Data).

## 2.4 Safety of the fastener driving tool

- Check prior to each operation that the safety and triggering mechanism is functioning properly and that all nuts and bolts are right.
- Do not carry out any alterations to the fastener driving tool without the manufactures authorization.
- Do not disassemble or make inoperative any parts of the fastener driving tool such as the safety yoke.
- Do not perform any" emergency repairs" without proper tools and equipment.
- The fastener driving tool should be serviced properly and at regular intervals in accordance with the Manufacturer's instructions.
- Avoid weakening or damaging the too, for example by:
  - punching or engraving;
  - modification not authorized by the manufacturer
  - guiding against templates made of hard material such as steel;
  - use the equipment as a hammer;applying excessive force of any kind.

## 2.5 Safety at work

Never point any operational fastener driving tool at yourself or at any other person or animals.

Hold the fastener driving tool during the work operation in such a way that no injuries can be caused to the head or to the body in the event of possible recoil consequent upon a disruption in the energy supply or hard areas within the workplace. ( see fig 2)

Never actuate the fastener driving tool into free space. This will avoid any hazard caused by free flying fasteners and excessive strain of the tool.

The tool shall be disconnected from the compressed air system for the purpose of transportation, especially where ladders are used or where an unusual physical posture is adopted whilst moving (see Fig 3).

Carry the fastener driving tool at the workplace using only the handle, and never with the trigger actuated.

Take conditions at the workplace into account. Fasteners can penetrate thin work pieces or slip off corners and edges of workplaces, and thus put people at risk.

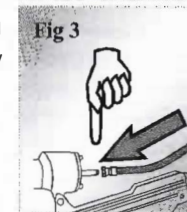
For personal safety, use protective equipment such ad hearing and eye protection (see fig 2)

**IMPORTANT: DO NOT** direct the adjustable vent hole to the operator or other person or animals during the use.

## 2.6 Triggering devices

Fastener driving tools are operated by actuating the trigger using finger pressure.

In addition, fastener driving tool is fitted with a safety yoke which enables the driving operation to be carried out only after the



muzzle of the tool is pressed against a work piece, These tool are marked with an inverted triangle(▽) behind the serial number and are not permitted for use without an effective safety yoke.

## 2.7 Actuating systems

Depending on their purpose, fastener driving tool is fitted with actuating system of single sequential actuation and contact actuation.

You could switch to one nail figure to choose single sequential actuation, and switch to two nail figure to choose contact actuation.

- Single sequential actuation: An actuating system in which the trigger and the safety yoke have to be activated so the only one single driving operation is actuated via the trigger after the muzzle of the tool has been applied to the driving location, Thereafter further driving operations can only be performed after the trigger has been returned to the non driving position whilst the safety yoke remains depressed.

-Contact actuation (restricted version):An actuating system in which the trigger and the safety yoke have to be actuated for each driving operation, with the order of actuation not being specified .For repeated driving operations, it is sufficient if either the trigger remains activated and the safety yoke is activated thereafter, or vice versa.

Fastener driving tools equipped with contact actuation must be marked with the symbol" Do not use on scaffoldings, ladders" (see Fig.4) and shall not be used for specific application for example:

- when changing one driving location to another involves the use of scaffoldings, stairs, ladders, or ladder alike constructions, e.g. roof laths;
- closing boxes or crates;
- fitting transportation safety systems e.g. on vehicles and wagons.



Fig. 4: Symbol" Do not use on scaffoldings, ladders"

Colours:  
Red on white ground,  
fastener driving tools and  
ladder black



Never free-fire the tool at high pressure.

## 2 Compressed air system

Proper functioning of the fastener driving tool requires filtered, dry and lubricated compressed air in adequate quantities.

If the air pressure in the line system exceeds the maximum allowable of the fastener driving tool, a pressure reducing valve followed by a downstream safety valve shall additionally be fitted in the supply line to the tool.

NOTE: When compressed air is generated by compressors, the natural moisture in the air condenses and collects as condensed water in pressure vessels and pipelines. This condensate must be removed by water separators. These water separators must be checked on a daily basis and if necessary drained, since corrosion can otherwise develop in the compressed air system and in the fastener driving tool. Which serves to accelerate wear.

The compressor plant shall be adequately dimensioned in terms of pressure output and performance (volumetric flow) for the consumption which is to be expected. Line sections which are too small in relation to the length of the line (pipes and hoses), as well as overloading the compressor, will result in pressure drops.

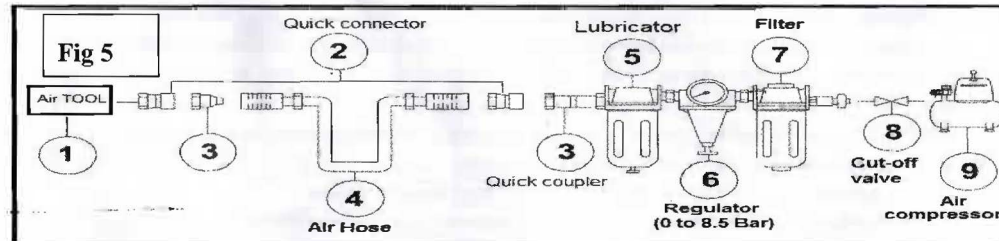
Permanently laid compressed air pipelines should have an internal diameter of at least 19 mm and a corresponding large diameter where relatively long pipelines or multiple users are involved.

Compressed air pipelines should be laid so as to form a gradient (highest point in the direction to the compressor).Easily accessible water separators should be installed at the lowest points.

Junctions for users should be joined to the pipelines from above,

Connecting points for fastener driving tools should be fitted with a compressed air servicing unit(filter/water separator/oiler)directly at the junction point.

Oilers must be checked on a daily basis and if necessary topped up with the recommended grade of oil (see TECHNICAL DATA). Where hose lengths of over 10 m are used., the oil supply for the fastener driving tool cannot be guaranteed, We therefore recommend that 2to 5drops (depending on the loading of the fastener driving tool)of the recommended oil (see TECHNICAL DATA) should be added via the air inlet of the tool, or an oiler attached directly to the fastener driving tool. (see fig 5)



## 4 Preparing the tool for use

### 4.1 Preparing a tool for first time operation

Please Read and observe these Operating Instruction before using the tool. Basic safety measures should always be strictly followed to protect against damage to the equipment and personal injury to the user or other people working in the vicinity of operation.

### 4.2 Connection to the compressed air system

Ensure that the pressure supplied by the compressed air system does not exceed the maximum allowable pressure of the fastener driving tool. Set the air pressure initially to the lower value of the recommended allowable pressure (see TECHNICAL DATA).

Empty the magazine to prevent a fastener from being ejected at the next stage of work in the event that internal parts of the fastener driving tool are not in the starting position following maintenance and repair work or transportation.

Connect the fastener driving tool to the compressed air supply using suitable pressure hose equipped with quick-action connectors.

Check for proper functioning by applying the muzzle of the fastener driving tool to a piece of wood or wooden material and actuating the trigger once or twice.

### 4.3Filling the magazine

Only those fasteners specified under TECHNICAL DATA (see 1.1) may be used

When filling the magazine, hold the tool so that the muzzle is not pointing towards the operator or any other person or animals.

### 4.4 Handling the tool

Pay attention to 2-Special Reference-of these operating instructions.

Having checked that the fastener driving tool is functioning correctly, apply the tool to a work piece and actuate the trigger.

Check whether the fastener has been driven into the work piece in accordance with the requirements.

- if the fastener is protruding, increase the air pressure in increments of 0.5 bar, checking the result after each new adjustment;
- if the fastener is driven into an excessive depth reduce the air pressure I increments of 0.5 bar until the result is satisfactory.

You should endeavor in any event to work with the lowest possible air pressure. This will give you three significant advantages; 1. Energy will be saved, 2. Less noise will be produced, 3. A reduction in fastener driving tool wear will be achieved.

Avoid triggering the fastener driving tool if the magazine is empty.

Any defective or improperly functioning fastener driving tool must immediately be disconnected from the compressed air supply and passed to a specialist for inspection.

In the event of longer breaks in work or at the end of the working shift, disconnect the tool from the compressed air supply and it is recommended to empty the magazine.

The compressed air connectors of the fastener driving tool and the hoses should be protected against contamination, the ingress of coarse dust chips, sand etc, will result in leaks and damage to the fastener driving tool and the couplings.

## 5. Maintenance

Disconnect the tool from the compressor before adjusting, clearing jams, servicing & maintenance, relocating and during non operation.

Regular lubrication, if your tool without using the in-liner automatic oilier, place 2 or 6 drops of pneumatic tool oil into the air inlet before each work day or after 2 hours of continuous use depending in the characteristic of work piece or type of fasteners.

Air-operated tools must be inspected periodically, and worn or broken parts must be replaced to keep the tool operating safely and efficiently. Check and change all worn or damaged O-ring, Seals, etc. Tighten all the screws and caps to avoid personal injury. This should be done by an expert.

Make regular inspection for free movement of trigger, spring and safety mechanism to assure safe system is complete and functional: no loose and missing parts, no building or stocking parts.

Keep magazine and nose of tool clean and free of any dirt lint or abrasive particles.

When temperatures are below freezing, tools should be kept warm by any convenient, safe method.

## 6 Troubleshooting (See Table 1)

The following chart lists common issues and solutions. Please read it carefully and follow all instructions closely.



### WARNING!

Potential hazard that will result in serious injury or loss of life.

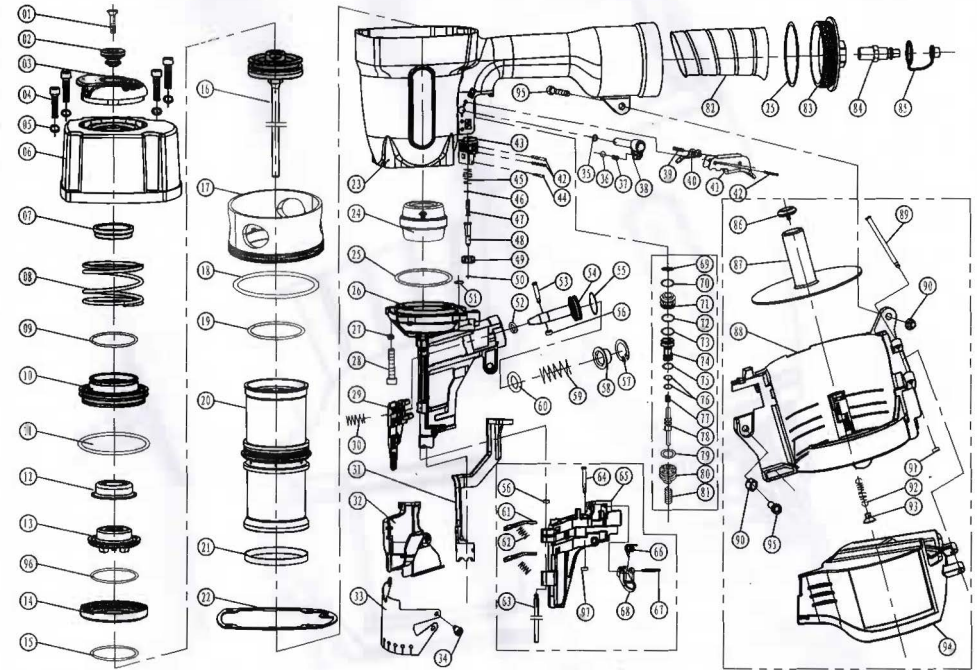
- If any of the following symptoms appear while the tool is in use, turn it off and disconnect it from the air supply immediately. Failure to heed this warning will result in serious personal injury.
- Disconnect the tool from the air supply before making any adjustments.
- Repairs must be performed by a qualified service technician only.

SYMPTOM	PROBLEM	SOLUTIONS
Air leak near top of tool or in trigger area	<ol style="list-style-type: none"> <li>1. O-ring in trigger valve is damaged.</li> <li>2. Trigger valve head are damage.</li> <li>3. Trigger valve stem, seal or O-ring are damaged.</li> </ol>	<ol style="list-style-type: none"> <li>1. Check and replace O-ring.</li> <li>2. Check and replace.</li> <li>3. Check and replace trigger valve stem, seal or O-ring</li> </ol>
Air leak near bottom of tool.	<ol style="list-style-type: none"> <li>1. Loose screws.</li> <li>2. Worn or damaged O-rings or bumper.</li> </ol>	<ol style="list-style-type: none"> <li>1. Tighten screws.</li> <li>2. Check and replace O-rings or bumper.</li> </ol>
Air leak between body and cylinder cap.	<ol style="list-style-type: none"> <li>1. Loose screws.</li> <li>2. Worn or damaged O-rings or seals.</li> </ol>	<ol style="list-style-type: none"> <li>1. Tighten screw.</li> <li>2. Check and replace O-rings or bumper.</li> </ol>
Blade driving fastener too deep.	<ol style="list-style-type: none"> <li>1. Worn bumper.</li> <li>2. Air pressure is too high.</li> </ol>	<ol style="list-style-type: none"> <li>1. Replace bumper.</li> <li>2. Adjust the air pressure.</li> </ol>
Tool does not operate well: can not drive fastener or operate sluggishly.	<ol style="list-style-type: none"> <li>1. Inadequate air supply.</li> <li>2. Inadequate lubrication.</li> <li>3. Worn or damaged O-rings or seals.</li> <li>4. Exhaust port in cylinder head is blocked.</li> </ol>	<ol style="list-style-type: none"> <li>1. Verify adequate air supply.</li> <li>2. Place 2 or 6 drops of oil into air inlet.</li> <li>3. Check and replace O-rings or seal.</li> <li>4. Replace damaged internal parts.</li> </ol>
Tool skips fasteners.	<ol style="list-style-type: none"> <li>1. Worn bumper or damaged spring.</li> <li>2. Dirt in front plate.</li> <li>3. Dirt or damage prevents fasteners from moving freely in magazine.</li> <li>4. Worn or dry O-ring on piston or lack of Lubrication.</li> <li>5. Cylinder covers seal leaking.</li> </ol>	<ol style="list-style-type: none"> <li>1. Replace bumper or pusher spring.</li> <li>2. Clean drive channel on front plate.</li> <li>3. Magazine needs to be cleaned.</li> <li>4. O-ring needs to be replaced. And lubricate.</li> <li>5. Replace Sealing washer.</li> </ol>
Tool jams.	<ol style="list-style-type: none"> <li>1. Incorrect or damaged fasteners.</li> <li>2. Damaged or worn driver guide.</li> <li>3. Magazine or nose screw loose.</li> <li>4. Magazine is dirty.</li> </ol>	<ol style="list-style-type: none"> <li>1. Change and use correct fastener.</li> <li>2. Check and replace the driver.</li> <li>3. Tighten the magazine.</li> <li>4. Clean the magazine.</li> </ol>

Note: Repairs should be carried out by a qualified person.

## MCN90 Coil Nailer Explosive View and Parts list (Contact Actuation)

Issue date: : 2015. 04. 10  
Version no.: : V1



No.	Description	Qty.	No.	Description	Qty.	No.	Description	Qty.	No.	Description	Qty.
01	Bolt M6*25	1	26	Driver guide	1	51	O-ring 7.5*1.8	1	76	O-Ring 2.5*1.5	2
02	Shaft sleeve	1	27	Spring washer 8	4	52	O-ring 9.9*2.4	1	77	Switch Spring	1
03	Air Deflector	1	28	Bolt M8*25	4	53	Washer	1	78	Switch Level	1
04	Bolt M6*35	4	29	Pawl	1	54	Shaft pin	1	79	O-Ring 18*2.65	1
05	Spring washer 6	4	30	Compressed spring	1	55	O-ring 20*2.4	1	80	Switch Seat	1
06	Cylinder Cover	1	31	Safety yoke	1	56	Pin bush	2	81	Compressed Spring	1
07	Washer	1	32	Nailer Head Cover	1	57	Internal circlip	1	82	Handle Cover	1
08	Compressed Spring	1	33	Gun head cover	1	58	Spring Seat	1	83	End cap	1
09	O-ring 45*2.65	1	34	Fixed ring	1	59	Send nail spring	1	84	Air Inlet Plug	1
10	Valve	1	35	Snap retainer 5	1	60	Buffer ring	1	85	Plug Cap	1
11	O-Ring 56*3.55	1	36	Steel ball Dw=3	1	61	Stop nail block	2	86	Spring cover	1
12	Bumper bush	1	37	Compressed spring	1	62	Compressed spring 2	87	Nail Plate	1	
13	Cylinder cover bumper	1	38	Adjusting stem	1	63	Shaft pin	1	88	Magazine	1
14	Sealing washer	1	39	Pin 3*18	1	64	Movable cover pin	1	89	Shaft	1
15	O-Ring 57.6*4.5	1	40	Safety spacer	1	65	Movable cover	1	90	Nut M6	2
16	Piston Assembly	1	41	Trigger A	1	66	Torsional spring	1	91	Pin bush	1
17	Collar	1	42	Pin 3*32	3	67	Spring Seat	1	92	Spring	1
18	O-ring 73*3.55	1	43	Adjust seat	1	68	Trigger	1	93	Hook seat	1
19	O-Ring 50*3.55	1	44	Pin 2.5*22	1	69	O-ring 15*2.65	1	94	Magazine cover	1
20	Cylinder	1	45	Compressed spring	1	70	O-Ring 16*1.6	1	95	Bolt M6*30	2
21	Sealing ring	1	46	Gasket	1	71	Valve Seat	1	96	O-ring 50*1.8	1
22	Gasket	1	47	Push Lever	1	72	O-Ring 6.1*1.8	1	97	Pin bush	1
23	Gun Body	1	48	Adjust screw	1	73	O-Ring 6.4*2	1			
24	Bumper	1	49	Adjust nut	1	74	Valve Case	1			
25	O-Ring 63*2.65	2	50	Snap retainer	1	75	O-Ring 9*1.8	1			

Note:

If you need spare parts of this model, pls feel free to contact us or the distributor where you bought this tool. Tks!