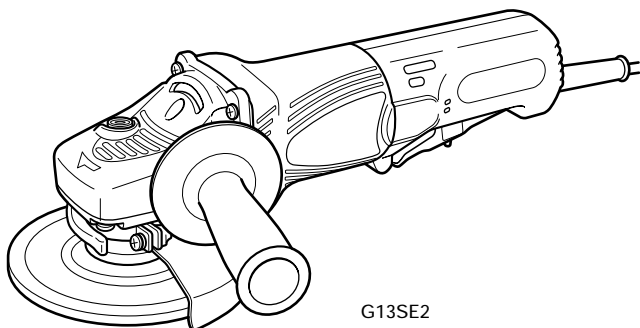


HITACHI

Disc Grinder
Winkelschleifer
Γωνιακός τροχός λειάνσεως/κοπής
Szlifierka kątowa
Sarokcsiszoló
Úhlová bruska
Taşlama
Угловая шлифовальная машина

G 12SE2 · G 13SE2



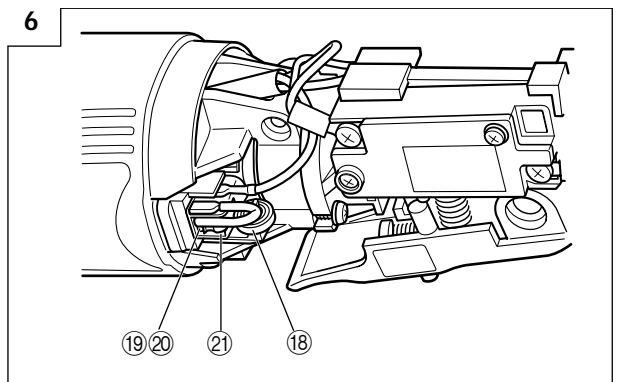
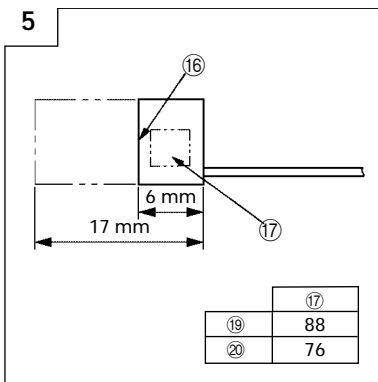
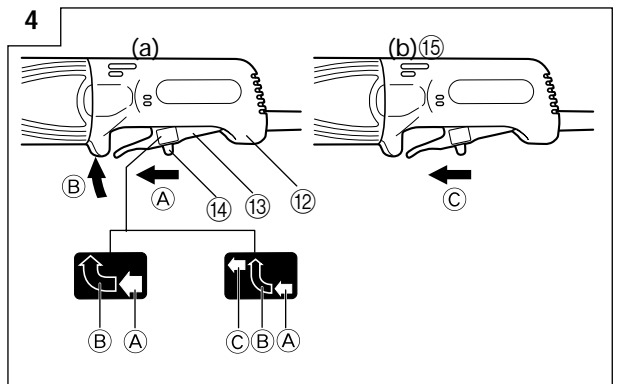
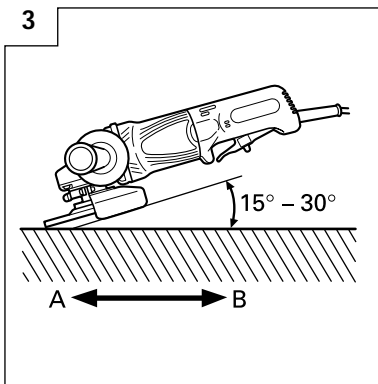
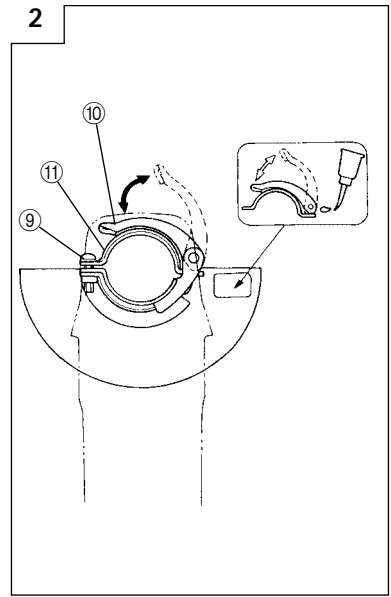
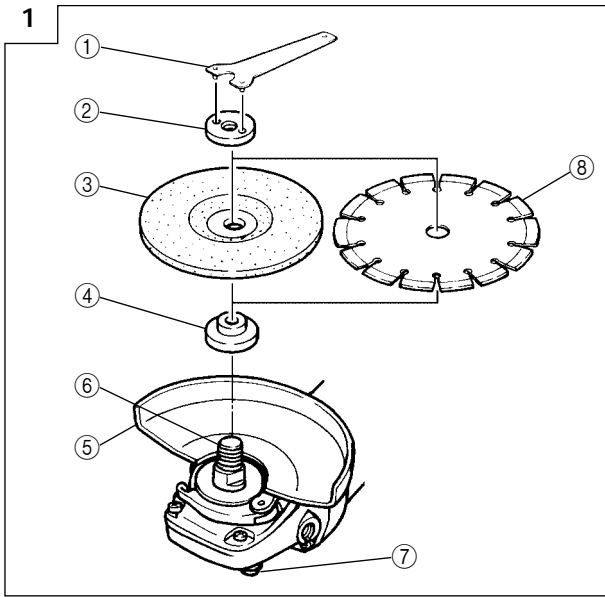
G13SE2

Read through carefully and understand these instructions before use.
Diese Anleitung vor Benutzung des Werkzeugs sorgfältig durchlesen und verstehen.
Διαβάστε προσεκτικά και κατανοήσετε αυτές τις οδηγίες πριν τη χρήση.
Przed użytkowaniem należy dokładnie przeczytać niniejszą instrukcję i zrozumieć jej treść.
Használat előtt olvassa el figyelmesen a használati utasítást.
Před použitím si pečlivě přečtěte tento návod a ujistěte se, že mu dobře rozumíte.
Aleti kullanmadan önce bu kılavuzu iyice okuyun ve talimatları anlayın.
Внимательно прочтите данную инструкцию по эксплуатации прежде чем пользоваться инструментом.









Handling instructions
Bedienungsanleitung
Οδηγίες χειρισμού
Instrukcja obsługi
Kezelési utasítás
Návod k obsluze
Kullanım talimatları
Инструкция по эксплуатации

Hitachi Koki



| | English | Deutsch | Ελληνικά | Polski |
|---|-------------------------------|-------------------------------|------------------------------------|--------------------------------------|
| ① | Wrench | Schlüssel | Κλειδί | Klucz |
| ② | Wheel nut | Mutter für die Schleifscheibe | Παξιμάδι τροχού | Nakrętka tarczy |
| ③ | Depressed center wheel | Schleifscheibe | Χαμηλωμένος κεντρικά τροχός | Obniżona tarcza środkowa |
| ④ | Wheel washer | Unterlegscheibe | Ροδέλλα τροχού | Podkładka tarczy |
| ⑤ | Wheel guard | Schutzhaube | Προφυλακτήρας τροχού | Osłona tarczy |
| ⑥ | Spindle | Spindel | Άξονας | Wrzeciono |
| ⑦ | Push button | Drukknop | Κουμπί ώθησης | Przycisk Wrzeciono |
| ⑧ | Diamond wheel | Diamantscheide | Διαμαντένιος τροχός | Ściernica diamentowa |
| ⑨ | M5 screw | M5-Schraube | M5 Βίδα | Śruba M5 |
| ⑩ | Lever | Hebel | Μοχλός | Dźwignia |
| ⑪ | Set piece (B) | Einstellstück (B) | Τμήμα ρύθμισης (B) | Element ustalający (B) |
| ⑫ | Tail cover | Rückabdeckung | Οπίσθιο κάλυμμα | Pokrywa tylna |
| ⑬ | Paddle lever | Auslöserhebel | Πλακουτός μοχλός | Dźwignia łopatkii |
| ⑭ | Lock lever | Sperrhebel | Μοχλός κλειδώματος | Dźwignia zamku |
| ⑮ | Switch with locking mechanism | Schalter mit Sperrmechanismus | Διακόπτης με μηχανισμό κλειδώματος | Przełącznik z mechanizmem blokującym |
| ⑯ | Wear limit | Verschleißgrenze | Όριο φθοράς | Granica zużycia |
| ⑰ | No. of carbon brush | Nr. der Kohlebürste | Αρ. Καρβουνακίου | Numer szczotki węglowej |
| ⑱ | Spring | Feder | Ελατήριο | Sprężyna |
| ⑲ | Usual carbon brush | Gewöhnliche Kohlebürste | Συνήθισμένα καρβουνάκια | Zwykła szczotka węglowa |
| ⑳ | Auto-stop carbon brush | Auto-Stop Kohlebürste | Καρβουνάκια αυτομάτης διακοπής | Szczotka węglowa auto-stop |
| ㉑ | Brush holder | Bürstenhalter | Θήκη ψύκτρας | Obsada szczotkowa |

| | Magyar | Čeština | Türkçe | Русский |
|---|--|---|---------------------------------|---|
| ① | Csavarkulcs | Klíč | Anahtar | Гаечный ключ |
| ② | Tárcsarógzító anya | Matka kotouče | Disk somunu | Гайка шлифовального круга |
| ③ | Süllyesztett közepű tárcsa | Bruný kotouč | Tek taraflı oyuk taşlama diskii | Шлифовальный круг с утопленным центром |
| ④ | Tárcsa alátét | Podložka kotouče | Disk pulu | Шайба шлифовального круга |
| ⑤ | Tárcsavédő | Kryt kotouče | Disk muhafazası | Защитное приспособление шлифовального круга |
| ⑥ | Tengely | Hřídel | Mil | Шпиндель |
| ⑦ | Nyomógomb | Tlačítko | Kilit iğnesi | Нажимная кнопка |
| ⑧ | Gyémánt tárcsa | Diamantový kotouč | Elmas disk | Шлифовальный круг с алмазной кромкой |
| ⑨ | M5-ös csavar | M5 šroub | M5 vida | Винт M5 |
| ⑩ | Kar | Páčka | Kol | Рычаг |
| ⑪ | Rögzítőelem (B) | Stavěcí část (B) | Ayar parçası (B) | Посадочная деталь (B) |
| ⑫ | Hátsó fedél | Zadní kryt | Arka kapak | Задняя нижняя крышка |
| ⑬ | Lapátkar | Páčka volby | Kanat kolu | Откидной рычаг |
| ⑭ | Reteszelő kar | Uzamykací páčka | Kilit kolu | Рычаг блокировки |
| ⑮ | Reteszelő mechanizmussal rendelkező kapcsoló | Spínač s uzamykatelným mechanismem | Kilit mekanizmalı şalter | Выключатель с механизмом блокировки |
| ⑯ | Kopási határ | Mez opotřebení | Aşınma sınırı | Предел износа |
| ⑰ | Szénkefe száma | Číslo uhlíkového kartáčku | Kömür tanımlama sayısı | № угольной щетки |
| ⑱ | Rúgó | Pružina | Yay | Пружина |
| ⑲ | Hagyományos szénkefe | Obvyklý uhlíkový kartáček | Normal kömür | Обычная угольная щетка |
| ⑳ | A Automatikus leállítású szénkefe | Uhlíkový kartáček pro automatické zastavení | Otomatik durdurmalı kömür | Угольная щетка автоматической остановки |
| ㉑ | Szénkefetartó | Držák kartáčku | Kömür tutucusu | Щеткодержатель |

| | Symbols The following show symbols used for the machine. Be sure that you understand their meaning before use. | Symbole Die folgenden Symbole werden für diese Maschine verwendet. Achten Sie darauf, diese vor der Verwendung zu verstehen. | Σύμβολα Τα παρακάτω δείχνουν τα σύμβολα που χρησιμοποιούνται στο μηχάνημα. Βεβαιωθείτε ότι κατανοείτε τη σημασία τους πριν τη χρήση. | Symbole Następujące oznaczenia to symbole używane w instrukcji obsługi maszyny. Upewnij się, że rozumiesz ich znaczenie zanim użyjesz narzędzia. |
|--|--|---|--|--|
|  | Read instruction manual. | Bedienungsanleitung lesen. | Διαβάστε το εγχειρίδιο οδηγιών. | Przeczytaj instrukcje. |
|  | Wear safety glasses. | Eine Schutzbrille tragen. | Φοράτε γυαλιά ασφαλείας. | Założ okulary ochronne. |
|  | Only for EU countries Do not dispose of electric tools together with household waste material! In observance of European Directive 2002/96/EC on waste electrical and electronic equipment and its implementation in accordance with national law, electric tools that have reached the end of their life must be collected separately and returned to an environmentally compatible recycling facility. | Nur für EU-Länder Werfen Sie Elektrowerkzeuge nicht in den Hausmüll! Gemäss Europäischer Richtlinie 2002/96/EG über Elektro- und Elektronik-Altgeräte und Umsetzung in nationales Recht müssen verbrauchte Elektrowerkzeuge getrennt gesammelt und einer umweltgerechten Wiederverwertung zugeführt werden. | Μόνο για τις χώρες της ΕΕ Μην πετάτε τα ηλεκτρικά εργαλεία στον κάδο οικιακών απορριμμάτων! Σύμφωνα με την ευρωπαϊκή οδηγία 2002/96/ΕΚ περί ηλεκτρικών και ηλεκτρονικών συσκευών και την ενσωμάτωσή της στο εθνικό δίκαιο, τα ηλεκτρικά εργαλεία πρέπει να συλλέγονται ξεχωριστά και να επιστρέφονται για ανακύκλωση με τρόπο φιλικό προς το περιβάλλον. | Dotyczy tylko państw UE Nie wyrzucaj elektronarzędzi wraz z odpadami z gospodarstwa domowego! Zgodnie z Europejską Dyrektywą 2002/96/WE w sprawie zużytego sprzętu elektrotechnicznego i elektronicznego oraz dostosowaniem jej do prawa krajowego, zużyte elektronarzędzia należy posegregować i zutylizować w sposób przyjazny dla środowiska. |
| | Jelölések Az alábbiakban a géphez alkalmazott jelölések vannak felsorolva. A géphasználat előtt feltétlenül ismerje meg ezeket a jelöléseket. | Symbole Následující text obsahuje symboly, které jsou použity na zařízeních. Ujistěte se, že rozumíte jejich obsahu před tím, než začnete zařízení používat. | Simgeler Aşağıda, bu alet için kullanılan simgeler gösterilmiştir. Aleti kullanmadan önce bu simgelerin ne anlama geldiğini anladığınızdan emin olun. | Символы Ниже приведены символы, используемые для машины. Перед началом работы обязательно убедитесь в том, что Вы понимаете их значение. |
|  | Olvasza el a Használati utasítást. | Přečtěte si návod. | Kullanım kılavuzunu okuyun. | Прочтите руководство по эксплуатации. |
|  | Viseljen védőszemüveget. | Používejte ochranné brýle. | Koruyucu gözlüğü kullanın. | Наденьте защитные очки. |
|  | Csak EU-országok számára Az elektromos kéziszerszámokat ne dobja a háztartási szemétkébe! A használt villamos és elektronikai készülékekről szóló 2002/96/EK irányelv és annak a nemzeti jogba való átültetése szerint az elhasznált elektromos kéziszerszámokat külön kell gyűjteni, és környezetbarát módon újra kell hasznosítani. | Jen pro státy EU Elektrické nářadí nevyhazujte do komunálního odpadu! Podle evropské směrnice 2002/96/EG o nakládání s použitými elektrickými a elektronickými zařízeními a odpovídajících ustanovení právních předpisů jednotlivých zemí se použitá elektrická nářadí musí sbírat odděleně od ostatního odpadu a podrobit ekologicky šetrnému recyklování. | Sadece AB ülkeleri için Elektrikli el aletlerini evdeki çöp kutusuna atmayınız! Kullanılmış elektrikli aletleri, elektrik ve elektronik eski cihazlar hakkında 2002/96/EC Avrupa yönetelerine göre ve bu yöneteler ulusal hukuk kurallarına göre uyarlanarak, ayrı olarak toplanmalı ve çevre şartlarına uygun bir şekilde tekrar değerlendirilmeye gönderilmelidir. | Только для стран ЕС Не выкидывайте электроприборы вместе с обычным мусором! В соответствии с европейской директивой 2002/96/EG об утилизации старых электрических и электронных приборов и в соответствии с местными законами электроприборы, бывшие в эксплуатации, должны утилизываться отдельно безопасным для окружающей среды способом. |

GENERAL SAFETY RULES

WARNING!

Read all instructions

Failure to follow all instructions listed below may result in electric shock, fire and/or serious injury.

The term "power tool" in all of the warnings listed below refers to your mains operated (corded) power tool or battery operated (cordless) power tool.

SAVE THESE INSTRUCTIONS

1) Work area

- a) **Keep work area clean and well lit.**
Cluttered and dark areas invite accidents.
- b) **Do not operate power tools in explosive atmospheres, such as in the presence of flammable liquids, gases or dust.**
Power tools create sparks which may ignite the dust of fumes.
- c) **Keep children and bystanders away while operating a power tool.**
Distractions can cause you to lose control.

2) Electrical safety

- a) **Power tool plugs must match the outlet. Never modify the plug in any way. Do not use any adapter plugs with earthed (grounded) power tools.**
Unmodified plugs and matching outlets will reduce risk of electric shock.
- b) **Avoid body contact with earthed or grounded surfaces such as pipes, radiators, ranges and refrigerators.**
There is an increased risk of electric shock if your body is earthed or grounded.
- c) **Do not expose power tools to rain or wet conditions.**
Water entering a power tool will increase the risk of electric shock.
- d) **Do not abuse the cord. Never use the cord for carrying, pulling or unplugging the power tool. Keep cord away from heat, oil, sharp edges or moving parts.**
Damaged or entangled cords increase the risk of electric shock.
- e) **When operating a power tool outdoors, use an extension cord suitable for outdoor use.**
Use of a cord suitable for outdoor use reduces the risk of electric shock

3) Personal safety

- a) **Stay alert, watch what you are doing and use common sense when operating a power tool. Do not use a power tool while you are tired or under the influence of drugs, alcohol or medication.**
A moment of inattention while operating power tools may result in serious personal injury.
- b) **Use safety equipment. Always wear eye protection.**
Safety equipment such as dust mask, non-skid safety shoes, hard hat, or hearing protection used for appropriate conditions will reduce personal injuries.
- c) **Avoid accidental starting. Ensure the switch is in the off position before plugging in.**
Carrying power tools with your finger on the switch or plugging in power tools that have the switch on invites accidents.
- d) **Remove any adjusting key or wrench before turning the power tool on.**

A wrench or a key left attached to a rotating part of the power tool may result in personal injury.

- e) **Do not overreach. Keep proper footing and balance at all times.**

This enables better control of the power tool in unexpected situations.

- f) **Dress properly. Do not wear loose clothing or jewellery. Keep your hair, clothing and gloves away from moving parts.**

Loose clothes, jewellery or long hair can be caught in moving parts.

- g) **If devices are provided for the connection of dust extraction and collection facilities, ensure these are connected and properly used.**

Use of these devices can reduce dust related hazards.

4) Power tool use and care

- a) **Do not force the power tool. Use the correct power tool for your application.**

The correct power tool will do the job better and safer at the rate for which it was designed.

- b) **Do not use the power tool if the switch does not turn it on and off.**

Any power tool that cannot be controlled with the switch is dangerous and must be repaired.

- c) **Disconnect the plug from the power source before making any adjustments, changing accessories, or storing power tools.**

Such preventive safety measures reduce the risk of starting the power tool accidentally.

- d) **Store idle power tools out of the reach of children and do not allow persons unfamiliar with the power tool or these instructions to operate the power tool.**

Power tools are dangerous in the hands of untrained users.

- e) **Maintain power tools. Check for misalignment or binding of moving parts, breakage of parts and any other condition that may affect the power tools operation.**

If damaged, have the power tool repaired before use.

Many accidents are caused by poorly maintained power tools.

- f) **Keep cutting tools sharp and clean.**

Properly maintained cutting tools with sharp cutting edges are less likely to bind and are easier to control.

- g) **Use the power tool, accessories and tool bits etc., in accordance with these instructions and in the manner intended for the particular type of power tool, taking into account the working conditions and the work to be performed.**

Use of the power tool for operations different from intended could result in a hazardous situation.

5) Service

- a) **Have your power tool serviced by a qualified repair person using only identical replacement parts.**

This will ensure that the safety of the power tool is maintained.

PRECAUTION

Keep children and infirm persons away.

When not in use, tools should be stored out of reach of children and infirm persons.

PRECAUTIONS ON USING DISC GRINDER

1. Never operate these power tools without Wheel Guards.
2. Check that speed marked on the wheel is equal to or greater than the rated speed of the grinder. Use only depressed center wheels rated at 80m/s or more.
3. Ensure that the wheel dimensions are compatible with the grinder and that the wheel fits the spindle.
4. Abrasive wheels shall be stored and handled with care in accordance with manufacturer's instructions.
5. Inspect the depressed center wheel before use, do not use chipped, cracked or otherwise defective products.
6. Always hold the body handle and side handle of the power tool firmly. Otherwise the counterforce produced may result in inaccurate and even dangerous operation.
7. Do not use cutting-off wheels for side grinding.
8. Do not use of separate reducing bushings or adaptors to adapt large hole abrasive wheels.
9. The wheel continues to rotate after the tool is switched off.

SPECIFICATIONS

| Model | | G12SE2 | G13SE2 |
|-------------------------|------------------------|----------------------------|-------------|
| Voltage (by areas)* | | (110V, 120V, 230V, 240V) √ | |
| Power Input* | | 1200 W | |
| No-load speed* | | 11000 min ⁻¹ | |
| Wheel | outer dia. × hole dia. | 115 × 22 mm | 125 × 22 mm |
| | peripheral speed | 80 m/s | |
| Weight (only main body) | | 1.9 kg | |

*Be sure to check the nameplate on product as it is subject to change by areas.

STANDARD ACCESSORIES

- (1) Depressed center wheel 1
 (2) Wrench 1
 (3) Side handle 1
 Standard accessories are subject to change without notice.

APPLICATIONS

- Removal of casting fin and finishing of various types of steel, bronze and aluminum materials and castings.
- Grinding of welded sections or sections cut by means of a cutting torch.
- Grinding of synthetic resins, slate, brick, marble, etc.
- Cutting of synthetic concrete, stone, brick, marble, and similar materials.

PRIOR TO OPERATION

1. Power source

Ensure that the power source to be utilized conforms to the power requirements specified on the product nameplate.

2. Power switch

Ensure that the power switch is in the OFF position. If the plug is connected to a receptacle while the power switch is in the ON position, the power tool will start operating immediately, which could cause a serious accident.

3. Extension cord

When the work area is removed from the power source, use an extension cord of sufficient thickness and rated capacity. The extension cord should be kept as short as practicable.

4. Fitting and adjusting the wheel guard

The wheel guard is a protective device to prevent injury should the depressed center wheel be shattered during operation. Ensure that the wheel guard is properly fitted and fastened before commencing grinding operation.

[How to attach and adjust the wheel guard](Fig. 2)

- Set the wheel ass'y to the packing gland.
- Tighten M5 screw to secure the wheel guard while the lever is in closed position.
- Perform the adjustment of the wheel guard while the lever is released. (Loosen M5 screw and readjust if the wheel guard does not rotate smoothly.)
- After adjustment, if grinder operation is required, perform the operation only after setting the lever in closed position.
- Lubricate the sliding section of the set piece (B) and the lever if the lever does not move smoothly.

5. Ensure that mounted wheels and points are fitted in accordance with the manufacturer's instructions. Ensure that the depressed center wheel to be utilized is the correct type and free of cracks or surface defects. Also ensure that the depressed center wheel is properly mounted and the wheel nut is securely tightened. Refer to the section on "Depressed Center Wheel Assembly"

Ensure that blotters are used when they are provided with the bonded abrasive product and when they are required.

Do not use separate reducing bushings or adaptors to adapt large hole abrasive wheels.

For tools intended to be fitted with threaded hole wheel, ensure that the thread in the wheel is long enough to accept the spindle length.

Do not use cutting off wheel for side grinding.

6. Conducting a trial run

Ensure that the abrasive products is correctly mounted and tightened before use and run the tool at no-load for 30 seconds in a safe position, stop immediately if there is considerable vibration or if other defects are detected.

If this condition occurs, check the machine to determine the cause.

7. Confirm the push button

Confirm that the push button is disengaged by pushing push button two or three times before switching the power tool on (See Fig. 1).

8. Fixing the side handle

Screw the side handle into the gear cover.

After switching off the machine, do not put it down until the depressed center wheel has come to a complete stop. Apart from avoiding serious accidents, this precaution will reduce the amount of dust and swarf sucked into the machine.

CAUTIONS

- Check that the work piece is properly supported.
- Ensure that ventilation openings are kept clear when working in dusty conditions.
If it should become necessary to clear dust, first disconnect the tool from the mains supply (use non-metallic objects) and avoid damaging internal parts.
- Ensure that sparks resulting from use do not create a hazard e.g. do not hit persons, or ignite flammable substances.
- Always use protective safety glasses and hearing protectors, use other personal protective equipment such as gloves, apron and helmet when necessary.
- Always use eye and ear protection.
Other personal protective equipment such as dust mask, gloves, helmet and apron should be worn when necessary.
If in doubt, wear the protective equipment.
- When the machine is not use, the power source should be disconnected.

PRACTICAL GRINDER APPLICATION

1. Pressure

To prolong the life of the machine and ensure a first class finish, it is important that the machine should not be overloaded by applying too much pressure. In most applications, the weight of the machine alone is sufficient for effective grinding. Too much pressure will result in reduced rotational speed, inferior surface finish, and overloading which could reduce the life of the machine.

2. Grinding angle

Do not apply the entire surface of the depressed center wheel to the material to be ground. As shown in Fig. 3, the machine should be held at an angle of 15° – 30° so that the external edge of the depressed center wheel contacts the material at an optimum angle.

- ### 3.
- To prevent a new depressed center wheel from digging into the workpiece, initial grinding should be performed by drawing the grinder across the workpiece toward the operator (Fig. 3 direction B). Once the leading edge of the depressed center wheel is properly abraded, grinding may be conducted in either direction.

4. Switch operation

[When the switch has locking mechanism]

Switch ON: To switch on, slide the lock lever in the direction of (A) and press the paddle lever in the direction of (B) as shown in Fig. 4-a.

Furthermore, slide the lock lever in the direction of (C) shown in Fig. 4-b while pressing the paddle lever to lock and enable continuous operation.

Switch OFF: To release the locking mode, press the paddle lever in the direction of (B) shown in Fig. 4-a, and release the paddle lever to switch off.

[When the switch has no locking mechanism]

To switch on, slide the lock lever in the direction of (A) and press the paddle lever in the direction of (B) as shown in Fig. 4-a. Release the paddle lever to switch off.

NOTE:

The paddle lever can not be locked.

5. Precautions immediately after finishing operation

The wheel continues to rotate after the tool is switched off.

ASSEMBLING AND DISASSEMBLING THE DEPRESSED CENTER WHEEL (Fig. 1)

CAUTION

Be sure to switch OFF and disconnect the attachment plug from the receptacle to avoid a serious accident.

1. Assembling (Fig. 1)

- (1) Turn the disc grinder upsidedown so that the spindle is facing upward.
- (2) Align the across flats of the wheel washer with the notched part of the spindle, then attach them.
- (3) Fit the protuberance of the depressed center wheel onto the wheel washer.
- (4) Screw the wheel nut onto the spindle.
- (5) While pushing the push button with one hand, lock the spindle by turning the depressed center wheel slowly with the other hand.
Tighten the wheel nut by using the supplied wrench as shown in Fig. 1.

2. Disassembling

Follow the above procedures in reverse.

CAUTIONS

- Confirm that the depressed center wheel is mounted firmly.
- Confirm that the push button is disengaged by pushing push button two or three times before switching the power tool on.

MAINTENANCE AND INSPECTION

1. Inspecting the depressed center wheel

Ensure that the depressed center wheel is free of cracks and surface defects.

2. Inspecting the mounting screws

Regularly inspect all mounting screws and ensure that they are properly tightened. Should any of the screws be loose, retighten them immediately. Failure to do so could result in serious hazard.

3. Inspecting the carbon brushes (Fig. 5)

The Motor employs carbon brushes which are consumable parts. When they become worn to or near the "wear limit", it could result in motor trouble. When an auto-stop carbon brush is equipped, the motor will stop automatically. At that time, replace both carbon brushes with new ones which have the same carbon brush Numbers shown in the figure. In addition, always keep carbon brushes clean and ensure that they slide freely within the brush holders.

4. Replacing carbon brushes (Fig. 6)

(Disassembly)

- (1) Loosen the D4 tapping screw retaining the tail cover and remove the tail cover.
- (2) Use the auxiliary hexagonal wrench or small screwdriver to pull up the edge of the spring that is holding down the carbon brush. Remove the edge of the spring toward the outside of the brush holder.
- (3) Remove the end of the pig-tail on the carbon brush from the terminal section of brush holder and then remove the carbon brush from the brush holder.

(Assembly)

- (1) Insert the end of the pig-tail of the carbon brush in the terminal section of brush holder.
- (2) Insert the carbon brush in the brush holder.
- (3) Use the auxiliary hexagonal wrench or small screwdriver to return the edge of the spring to the head of the carbon brush.
- (4) Mount the tail cover and tighten the D4 tapping screw.

5. Maintenance of the motor

The motor unit winding is the very "heart" of the power tool. Exercise due care to ensure the winding does not become damaged and/or wet with oil or water.

6. Service parts list

A: Item No.
B: Code No.
C: No. Used
D: Remarks

CAUTION

Repair, modification and inspection of Hitachi Power Tools must be carried out by an Hitachi Authorized Service Center.

This Parts List will be helpful if presented with the tool to the Hitachi Authorized Service Center when requesting repair or other maintenance.

In the operation and maintenance of power tools, the safety regulations and standards prescribed in each country must be observed.

MODIFICATIONS

Hitachi Power Tools are constantly being improved and modified to incorporate the latest technological advancements.

Accordingly, some parts (i.e. code numbers and/or design) may be changed without prior notice.

NOTE

Due to HITACHI's continuing program of research and development, the specifications herein are subject to change without prior notice.

Information concerning airborne noise and vibration

The measured values were determined according to EN 60745 and declared in accordance with ISO 4871.

Measured A-weighted sound power level: 95 dB (A)
Measured A-weighted sound pressure level: 84 dB (A)
Uncertainty KpA: 3 dB (A)

Wear ear protection.

The typical weighted root mean square acceleration value does not exceed 2.5 m/s².

ALLGEMEINE SICHERHEITSMASSNAHMEN

WARNUNG!

Lesen Sie sämtliche Hinweise durch

Wenn nicht sämtliche nachstehenden Anweisungen befolgt werden, kann es zu Stromschlag, Brand und/oder ernsthaften Verletzungen kommen.

Der Begriff „Elektrowerkzeug“ bezieht sich in den folgenden Warnhinweisen auf Elektrowerkzeuge mit Netz- (schnurgebunden) oder Akkubetrieb (schnurlos).

BEWAHREN SIE DIESE ANWEISUNGEN AUF

1) Arbeitsbereich

- a) Sorgen Sie für einen sauberen und gut ausgeleuchteten Arbeitsbereich.
Zugestellte und dunkle Bereiche ziehen Unfälle förmlich an.
- b) Verwenden Sie Elektrowerkzeuge niemals an Orten, an denen Explosionsgefahr besteht – zum Beispiel in der Nähe von leicht entflammaren Flüssigkeiten, Gasen oder Stäuben.
Bei der Arbeit mit Elektrowerkzeugen kann es zu Funkenbildung kommen, wodurch sich Stäube oder Dämpfe entzünden können.
- c) Sorgen Sie bei der Arbeit mit Elektrowerkzeugen dafür, dass sich keine Zuschauer (insbesondere Kinder) in der Nähe befinden.
Wenn Sie abgelenkt werden, können Sie die Kontrolle über das Werkzeug verlieren.

2) Elektrische Sicherheit

- a) Elektrowerkzeuge müssen mit passender Stromversorgung betrieben werden.
Nehmen Sie niemals irgendwelche Änderungen am Anschlussstecker vor.
Verwenden Sie bei Elektrowerkzeugen mit Schutzkontakt (geerdet) niemals Adapterstecker.
Stecker im Originalzustand und passende Steckdosen reduzieren das Stromschlagrisiko.
- b) Vermeiden Sie Körperkontakt mit geerdeten Gegenständen wie Rohrleitungen, Heizungen, Herden oder Kühlschränken.
Bei Körperkontakt mit geerdeten Gegenständen besteht ein erhöhtes Stromschlagrisiko.
- c) Setzen Sie Elektrowerkzeuge niemals Regen oder sonstiger Feuchtigkeit aus.
Wenn Flüssigkeiten in ein Elektrowerkzeug eindringen, erhöht sich das Stromschlagrisiko.
- d) Verwenden Sie die Anschlusschnur nicht missbräuchlich. Tragen Sie das Elektrowerkzeug niemals an der Anschlusschnur, ziehen Sie es nicht damit heran und ziehen Sie den Stecker nicht an der Anschlusschnur aus der Steckdose. Halten Sie die Anschlusschnur von Hitzequellen, Öl, scharfen Kanten und beweglichen Teilen fern.
Beschädigte oder verdrehte Anschlusschnüre erhöhen das Stromschlagrisiko.
- e) Wenn Sie ein Elektrowerkzeug im Freien benutzen, verwenden Sie ein für den Außeneinsatz geeignetes Verlängerungskabel.
Ein für den Außeneinsatz geeignetes Kabel vermindert das Stromschlagrisiko.

3) Persönliche Sicherheit

- a) Bleiben Sie wachsam, achten Sie auf das, was Sie tun, und setzen Sie Ihren Verstand ein, wenn Sie mit Elektrowerkzeugen arbeiten.

Benutzen Sie keine Elektrowerkzeuge, wenn Sie müde sind oder unter Einfluss von Drogen, Alkohol oder Medikamenten stehen.

Bei der Arbeit mit Elektrowerkzeugen können bereits kurze Phasen der Unaufmerksamkeit zu schweren Verletzungen führen.

- b) **Benutzen Sie Schutzausrüstung. Tragen Sie immer einen Augenschutz.**

Schutzausrüstung wie Staubmaske, rutschsichere Sicherheitsschuhe, Schutzhelm und Gehörschutz senken das Verletzungsrisiko bei angemessenem Einsatz.

- c) **Vermeiden Sie unbeabsichtigten Anlauf. Achten Sie darauf, dass sich der Schalter in der Aus-(Off-) Position befindet, ehe Sie den Stecker einstecken.**

Das Herumtragen von Elektrowerkzeugen mit dem Finger am Schalter und das Einstecken des Steckers bei betätigtem Schalter zieht Unfälle regelrecht an.

- d) **Entfernen Sie sämtliche Einstellwerkzeuge (Einstellschlüssel), ehe Sie das Elektrowerkzeug einschalten.**

Ein an einem beweglichen Teil des Elektrowerkzeugs angebrachter Schlüssel kann zu Verletzungen führen.

- e) **Sorgen Sie für einen festen Stand. Achten Sie jederzeit darauf, sicher zu stehen und das Gleichgewicht zu bewahren.**

Dadurch haben Sie das Elektrowerkzeug in unerwarteten Situationen besser im Griff.

- f) **Kleiden Sie sich richtig. Tragen Sie keine lose Kleidung oder Schmuck. Halten Sie Haar, Kleidung und Handschuhe von beweglichen Teilen fern.**

Lose Kleidung, Schmuck oder langes Haar kann von beweglichen Teilen erfasst werden.

- g) **Wenn Anschlüsse für Staubabsaug- und -sammelvorrichtungen vorhanden sind, sorgen Sie dafür, dass diese richtig angeschlossen und eingesetzt werden.**

Die Verwendung solcher Vorrichtungen kann Staub-bezogene Gefahren mindern.

- 4) **Einsatz und Pflege von Elektrowerkzeugen**

- a) **Überansprechen Sie Elektrowerkzeuge nicht. Benutzen Sie das richtige Elektrowerkzeug für Ihren Einsatzzweck.**

Das richtige Elektrowerkzeug erledigt seine Arbeit bei bestimmungsgemäßem Einsatz besser und sicherer.

- b) **Benutzen Sie das Elektrowerkzeug nicht, wenn es sich nicht am Schalter ein- und ausschalten lässt.**

Jedes Elektrowerkzeug, das nicht mit dem Schalter betätigt werden kann, stellt eine Gefahr dar und muss repariert werden.

- c) **Ziehen Sie den Netzstecker, ehe Sie Einstellarbeiten vornehmen, Zubehörteile tauschen oder das Elektrowerkzeug verstauen. Solche präventiven Sicherheitsmaßnahmen verhindern den unbeabsichtigten Anlauf des Elektrowerkzeugs und die damit verbundenen Gefahren.**

d) Lagern Sie nicht benutzte Elektrowerkzeuge außerhalb der Reichweite von Kindern, lassen Sie nicht zu, dass Personen das Elektrowerkzeug bedienen, die nicht mit dem Werkzeug selbst und/oder diesen Anweisungen vertraut sind.

Elektrowerkzeuge in ungeschulten Händen sind gefährlich.

e) Halten Sie Elektrowerkzeuge in Stand. Prüfen Sie auf Fehlausrichtungen, sicheren Halt und Leichtgängigkeit beweglicher Teile, Beschädigungen von Teilen und auf jegliche andere Zustände, die sich auf den Betrieb des Elektrowerkzeugs auswirken können.

Bei Beschädigungen lassen Sie das Elektrowerkzeug reparieren, ehe Sie es benutzen. Viele Unfälle mit Elektrowerkzeugen sind auf schlechte Wartung zurückzuführen.

f) Halten Sie Schneidwerkzeuge scharf und sauber. Richtig gewartete Schneidwerkzeuge mit scharfen Schneidkanten bleiben weniger häufig hängen und sind einfacher zu beherrschen.

g) Benutzen Sie Elektrowerkzeuge, Zubehör, Werkzeugspitzen und Ähnliches in Übereinstimmung mit diesen Anweisungen und auf die für das jeweilige Elektrowerkzeug bestimmungsgemäße Weise - beachten Sie dabei die jeweiligen Arbeitsbedingungen und die Art und Weise der auszuführenden Arbeiten. *Der bestimmungswidrige Einsatz von Elektrowerkzeugen kann zu gefährlichen Situationen führen.*

5) Service

a) Lassen Sie Elektrowerkzeuge durch qualifizierte Fachkräfte und unter Einsatz passender, zugelassener Originalteile warten.

Dies sorgt dafür, dass die Sicherheit des Elektrowerkzeugs nicht beeinträchtigt wird.

VORSICHT

Von Kindern und gebrechlichen Personen fernhalten. Werkzeuge sollten bei Nichtgebrauch außerhalb der Reichweite von Kindern und gebrechlichen Personen aufbewahrt werden.

VORSICHTSMASSNAHMEN BEI DER BENUTZUNG DES WINKELSCHLEIFERS

1. Diese Werkzeuge nie ohne Schutzhaube benutzen.
2. Überprüfen Sie, daß die auf der Schleifscheibe angegebene Drehzahl mindestens gleich der Nenn Drehzahl des Schleifers ist. Nur Schleifscheiben mit vertieftem Mittelteil und einer zulässigen Schleifgeschwindigkeit von 80 m/s oder mehr verwenden.
3. Stellen Sie sicher, daß die Abmessungen der Schleifscheibe angemessen für den Schleifer sind und daß die Schleifscheibe auf die Spindel paßt.
4. Schleifscheiben müssen vorsichtig und entsprechend den Anweisungen des Herstellers gelagert und gehandhabt werden.
5. Inspizieren Sie die Schleifscheibe vor der Verwendung und verwenden Sie keine abgesplitterte, gesprungene oder auf andere Weise defekte Schleifscheibe.
6. Immer den Körper-Handgriff und den Seiten-Handgriff des Elektrowerkzeugs festhalten, weil sonst die entstehende Gegenkraft zu einem ungenauen und sogar gefährlichen Arbeiten führen kann.
7. Trennscheiben nicht zum Seitenschleifen verwenden.
8. Keine separaten Reduzierbuchsen oder Adapter verwenden, um Schleifscheiben mit einem größeren Lochdurchmesser verwenden zu können.
9. Die Schleifscheibe dreht sich auch nach dem Ausschalten des Werkzeugs weiter.

TECHNISCHE DATEN

| | | | |
|----------------------------|-------------------------------------|----------------------------|-------------|
| Modell | | G12SE2 | G13SE2 |
| Spannung (je nach Gebiet)* | | (110V, 120V, 230V, 240V) ~ | |
| Leistungsaufnahme* | | 1200 W | |
| Leerlaufdrehzahl* | | 11000 min ⁻¹ | |
| Schleifscheibe | Außendurchmesser × Innendurchmesser | 115 × 22 mm | 125 × 22 mm |
| | Umfangsgeschwindigkeit | 80 m/s | |
| Gewicht (Gerät selbst) | | 1,9 kg | |

* Vergessen Sie nicht, die Produktangaben auf dem Typenschild zu überprüfen, da sich diese je nach Verkaufsgebiet ändern.

STANDARDZUBEHÖR

- (1) Schleifscheibe 1
- (2) Schlüssel 1
- (3) Handgriff 1

Das Standardzubehör kann ohne vorherige Bekanntmachung jederzeit geändert werden.

ANWENDUNGSGEBIETE

- Entfernung von Gußgrat und Endbearbeitung verschiedener Stahlqualitäten, Bronze- und Aluminiummaterialien und Gußteile.
- Schleifen von geschweißten Stücken oder von durch Brennschneiden hergestellten Abschnitten.
- Schleifen von Kunstharz, Schiefer, Ziegelstein, Marmor, usw.
- Beim Schneiden von synthetischem Zement, Steinen, Mauersteinen, Marmor und ähnlichen Materialien.

VOR INBETRIEBNAHME

1. **Netzspannung**
Prüfen, daß die zu verwendende Netzspannung der Angabe auf dem Typenschild entspricht.
2. **Netzschalter**
Prüfen, daß der Netzschalter auf "AUS" steht. Wenn der Stecker an das Netz angeschlossen wird, während der Schalter auf "EIN" steht, beginnt das Werkzeug sofort zu laufen, was gefährlich ist.
3. **Verlängerungskabel**
Wenn der Arbeitsbereich nicht in der Nähe des Netzanschlusses liegt, ist ein Verlängerungskabel ausreichender Querschnitts und ausreichender Nennleistung zu verwenden. Das Verlängerungskabel sollte so kurz wie möglich gehalten werden.
4. **Anbringen und Einstellen der Schutzhaube**
Die Schutzhaube ist eine Schutzvorrichtung, die zur Verhinderung von Verletzungen dient, falls die Schleifscheibe beim Betrieb bersten sollte. Immer sicherstellen, daß die Schutzhaube richtig angebracht und befestigt ist, bevor mit der Schleifarbeit begonnen wird.
[Anbringen und Einstellen der Schutzhaube](Abb.2)
 - Die Scheibenbaugruppe an die Stopfbüchse ansetzen.
 - Die M5-Schraube festziehen, um die Schutzhaube zu sichern, während der Hebel in Geschlossen-Stellung ist.
 - Die Einstellung der Schutzhaube ausführen, während der Hebel in Freigabe-Stellung ist (Die M5-Schraube lösen und neu einstellen, falls die Schutzhaube nicht glatt rotiert.).
 - Falls nach der Einstellung gearbeitet werden muß, immer erst mit der Maschine arbeiten, nachdem der Hebel in Geschlossen-Stellung gestellt worden ist.
 - Die Gleitsektion des Stellstücks (B) und den Hebel schmieren, falls sich der Hebel nicht glatt bewegen läßt.
5. Stellen Sie sicher, daß die angebrachte Schleifscheibe und die anderen Teile entsprechend den Anweisungen des Herstellers angebracht sind. Es ist weiter darauf zu achten, daß die zu verwendende Schleifscheibe die richtige Ausführung und ohne Risse und Oberflächenfehler ist. Es ist auch darauf zu achten, daß die Schleifscheibe richtig montiert und die Mutter der Schleifscheibe fest angezogen ist. Siehe Abschnitt "Anbringen der Schleifscheibe".
Stellen Sie sicher, daß Beilegscheiben verwendet werden, wenn diese mit Schleifscheiben aus gebundenem Schleifmittel mitgeliefert werden und erforderlich sind.
Verwenden Sie keine separaten Reduzierbuchsen oder Adapter zum Anpassen von Schleifscheiben mit einem großen Loch.
Stellen Sie für Werkzeuge für Verwendung mit einer Schleifscheibe mit Gewindeloch sicher, daß das Gewinde in der Schleifscheibe lang genug ist, um die Spindellänge aufzunehmen.
Verwenden Sie eine Trennscheibe nicht zum Seitenschleifen.
6. **Durchführung eines Probelaufs**
Stellen Sie vor der Verwendung sicher, daß das Schleiferzeugnis korrekt angebracht und fest

angezogen ist, und lassen Sie das Werkzeug ohne Last 30 Sekunden an einer sicheren Position laufen. Halten Sie das Werkzeug sofort an, wenn beträchtliche Vibrationen auftreten oder Defekte festgestellt werden. Wenn ein solcher Zustand eintritt, so überprüfen Sie die Maschine, um die Ursache zu finden.

7. Überprüfen der Druckknopf

Es ist zu überprüfen, ob die Druckknopf freigegeben ist, indem zwei- oder dreimal vor Einschalten des Gerätes auf die Druckknopf gedrückt wird (siehe **Abb. 1**).

8. Anbringen des Handgriffs

Den Handgriff in den Getriebedeckel einschrauben.

PRAKTISCHE SCHLEIFARBEIT

1. Druck

Zur Verlängerung der Lebensdauer Maschine und für erstklassige Arbeit ist es wichtig, daß die Maschine nicht durch zu starken Druck überbelastet wird. Bei den meisten Anwendungen reicht das Gewicht der Maschine für effektives Schleifen aus. Zu starker Druck führt zu verminderter Drehzahl, unbefriedigendem Oberflächenaussehen und einer Überbelastung, die die Lebensdauer der Maschine vermindern könnte.

2. Schleifwinkel

Nicht die gesamte Fläche der Schleifscheibe auf das zu schleifende Material auflegen. Die Maschine sollte, wie in **Abb. 3** dargestellt ist, in einem Winkel von 15° - 30° gehalten werden, so daß die Außenkante der Schleifscheibe das Werkstück in einem optimalen Winkel berührt.

3. Damit sich eine neue Schleifscheibe nicht in das Werkstück hineingräbt, sollte zu Anfang die Schleifarbeit so durchgeführt werden, daß der Winkelschleifer über das Werkstück zum Bedienungsmann gezogen wird (**Abb. 3 Richtung B**). Wenn die Vorderkante der Schleifscheibe entsprechend abgeschliffen ist, kann das Schleifen in beiden Richtungen durchgeführt werden.

4. Betätigung des Schalters

[Wenn der Schalter einen Sperrmechanismus hat]

Schalter ON: Zum Stellen in ON-Stellung den Sperrhebel in Richtung **(A)** schieben und den Auslöserhebel in Richtung **(B)** drücken, wie in **Abb. 4-a** gezeigt. Den Sperrhebel in Richtung **(C)** schieben, wie in **Abb. 4-b** gezeigt, während der Auslöserhebel zum Sperren gedrückt wird, um kontinuierlichen Betrieb zu erlauben.

Schalter OFF: Um die Sperre aufzuheben, den Auslöserhebel in Richtung **(B)** drücken, wie in **Abb. 4-a** gezeigt, und den Auslöserhebel zum Ausschalten loslassen.

[Wenn der Schalter keinen Sperrmechanismus hat]

Zum Einschalten den Sperrhebel in Richtung **(A)** schieben, und den Auslöserhebel in Richtung **(B)** drücken, wie in **Abb. 4-a** gezeigt. Den Auslöserhebel zum Ausschalten loslassen.

HINWEIS

Der Schaufelhebel kann nicht gesperrt werden.

5. Vorsichtsmaßnahmen unmittelbar nach Beendigung der Arbeit

Die Schleifscheibe dreht sich auch nach dem Ausschalten des Werkzeugs noch weiter. Nach dem Ausschalten darf die Maschine erst abgelegt werden, wenn die Schleifscheibe völlig zum Stillstand gekommen ist. Abgesehen vom Vermeiden ernsthafter Unfälle wird durch diese Vorsichtsmaßnahmen vermieden, daß Staub und Späne in die Maschine gesaugt werden.

ACHTUNG

- Überprüfen Sie, daß das Werkstück richtig unterstützt ist.
- Überprüfen Sie bei Arbeit an einem staubigen Ort, daß die Ventilationsöffnungen freigehalten werden. Wenn Beseitigung von Staub erforderlich werden sollte, so ziehen Sie zuerst den Stecker des Netzkabels aus der Steckdose (verwenden Sie nichtmetallische Gegenstände) und vermeiden Sie Beschädigung innerer Teile.
- Stellen Sie sicher, daß bei der Verwendung auftretende Funken keine Gefährdung darstellen, d.h. daß sie keine Personen treffen und keine entflammaren Substanzen entzünden.
- Tragen Sie immer eine Schutzbrille und Gehörschutz, und verwenden Sie sonstige persönliche Schutzausrüstung wie Handschuhe, eine Schürze und einen Helm, wenn erforderlich.
- Verwenden Sie immer Augen- und Ohrenschutz. Sonstige persönliche Schutzausrüstung wie eine Staubmaske, Handschuhe, ein Helm und eine Schürze sollte getragen werden, wenn sie erforderlich ist.
- Tragen Sie im Zweifelsfall Schutzausrüstung.
- Wenn die Maschine nicht benutzt wird, sollte der Netzstecker gezogen werden.

ANBRINGEN UND ABNEHMEN DER SCHLEIFSCHEIBE (Abb. 1)

VORSICHT

Immer den Betriebsschalter auf "Aus" stellen und den Netzstecker aus der Steckdose ziehen, um Unfälle zu vermeiden.

1. Anbringen (Abb. 1)

- (1) Legen Sie den Winkelschleifer mit der Oberseite nach unten hin, so dass die Spindel nach oben zeigt.
- (2) Die Beilegscheibe mit den Flachseiten auf die Einkerbungen der Spindel ausgerichtet anbringen.
- (3) Den Vorsprung der Schleifscheibe in die Beilegscheibe einpassen.
- (4) Die Schleifscheibenmutter auf die Spindel schrauben.
- (5) Den Druckknopf mit einer Hand drücken und die Spindel durch langsames Drehen der Schleifscheibe mit der anderen Hand verriegeln.

Die Schleifscheibenmutter mit dem mitgelieferten Schlüssel wie in **Abb. 1** gezeigt anziehen.

2. Abnehmen

Beim Abnehmen wird in umgekehrter Reihenfolge vorgegangen.

VORSICHT

- Prüfen, ob die Schleifscheibe fest angezogen ist.
- Es ist zu überprüfen, ob die Druckknopf freigegeben ist, indem zwei- oder dreimal vor Einschalten des Gerätes auf die Druckknopf gedrückt wird.

WARTUNG UND INSPEKTION

1. Überprüfung der Schleifscheibe

Es ist darauf zu achten, daß die Schleifscheibe ohne Risse und Fehler an der Oberfläche ist.

2. Inspektion der Befestigungsschrauben

Alle Befestigungsschrauben werden regelmäßig inspiziert und geprüft, ob sie gut angezogen sind. Wenn sich eine der Schrauben lockert, muß sie sofort wieder angezogen werden. Geschieht das nicht, kann das zu erheblichen Gefahren führen.

3. Inspektion der Kohlebürsten (Abb. 5)

Im Motor sind Kohlebürsten verwendet, die Verbrauchsteile sind. Wenn sie abgenutzt sind, kann es zu Motorschäden führen. Wenn der Motor mit einer Auto-Stop Kohlebürste ausgestattet ist, wird er automatisch anhalten. Beide Kohlebürsten sollen dann durch neue ersetzt werden, die dieselbe Bürstennummer tragen, wie auf der Abbildung. Darüber hinaus müssen die Kohlebürsten immer sauber gehalten werden und müssen sich in der Bürstenhalterung frei bewegen können.

4. Austausch einer Kohlebürste (Abb. 6)

(Zerlegen)

- (1) Die D4-Schneidschraube an der hinteren Abdeckung herausschrauben und die hintere Abdeckung entfernen.
 - (2) Mit dem mitgelieferten Sechskantschlüssel oder einem Schraubenzieher die Kante der Feder hochziehen, die die Kohlebürste nach unten drückt. Die Kante der Feder zur Außenseite des Kohlebürstenhalters hin herausziehen.
 - (3) Die Kante der Anschlußlitze an der Kohlebürste von dem Anschlußteil des Bürstenhalters entfernen und die Kohlebürste aus dem Bürstenhalter nehmen.
- (Baugruppe)

- (1) Das Ende der Kohlebürsten-Anschlußlitze in den Anschlußteil des Bürstenhalters einstecken
- (2) Die Kohlebürste in den Bürstenhalter einsetzen.
- (3) Die Kante der Feder mit dem mitgelieferten Sechskantschlüssel oder einem Schraubenzieher wieder zurück zum Kohlebürstenkopf drücken.
- (4) Die hintere Abdeckung wieder ansetzen und mit den D4-Schneidschrauben anmontieren.

5. Wartung des Motors

Die Motorwicklung ist das "Herz" des Elektrowerkzeugs. Daher ist besonders sorgfältig darauf zu achten, daß die Wicklung nicht beschädigt wird und/oder mit Öl oder Wasser in Berührung kommt.

6. Liste der Wartungsteile

- A: Punkt Nr.
- B: Code Nr.
- C: Verwendete Anzahl
- D: Bemerkungen

ACHTUNG

Reparatur, Modifikation und Inspektion von Hitachi-Elektrowerkzeugen müssen durch ein autorisiertes Hitachi-Kundendienstzentrum durchgeführt werden. Diese Teilleiste ist hilfreich, wenn sie dem autorisierten Hitachi-Kundendienstzentrum zusammen mit dem Werkzeug für Reparatur oder Wartung ausgehändigt wird.

Bei Betrieb und Wartung von Elektrowerkzeugen müssen die Sicherheitsvorschriften und Normen beachtet werden.

MODIFIKATIONEN

Hitachi-Elektrowerkzeuge werden fortwährend verbessert und modifiziert, um die neuesten technischen Fortschritte einzubauen. Dementsprechend ist es möglich, daß einige Teile (z.B. Codenummern bzw. Entwurf) ohne vorherige Benachrichtigung geändert werden.

ANMERKUNG

Aufgrund des ständigen Forschungs-und Entwicklungsprogramms von HITACHI sind Änderungen der hierin gemachten technischen Angaben nicht ausgeschlossen.

Information über Betriebslärm und Vibration

Die gemessenen Werte wurden entsprechend EN60745 bestimmt und in Übereinstimmung mit ISO 4871 ausgewiesen.

Gemessener A-gewichteter Schallpegel: 95 dB (A)
Gemessener A-gewichteter Schalldruck: 84 dB (A)
Messunsicherheit KpA: 3 dB (A)

Bei der Arbeit immer einen Ohrenschutz tragen.

Der typische gewogene quadratische Mittelwert der Beschleunigung überschreitet 2,5 m/s² nicht.

ΓΕΝΙΚΑ ΜΕΤΡΑ ΑΣΦΑΛΕΙΑΣ

ΠΡΟΣΟΧΗ!

Διαβάστε όλες τις οδηγίες

Αν δεν τηρηθούν όλες οι οδηγίες που αναφέρονται παρακάτω, ενδέχεται να προκληθεί ηλεκτροπληξία, πυρκαγιά ή/και σοβαρός τραυματισμός.

Ο όρος "ηλεκτρικό εργαλείο" σε όλες τις προειδοποιήσεις που αναφέρονται παρακάτω αναφέρεται στο ηλεκτρικό εργαλείο που λειτουργεί με το ρεύμα του ηλεκτρικού δικτύου (με καλώδιο) ή στο ηλεκτρικό εργαλείο που λειτουργεί με μπαταρία (χωρίς καλώδιο).

ΦΥΛΑΞΤΕ ΑΥΤΕΣ ΤΙΣ ΟΔΗΓΙΕΣ

1) Χώρος εργασίας

- a) **Διατηρείτε το χώρο εργασίας καθαρό και καλά φωτισμένο.**

Οι ακατάστατοι και οι σκοτεινοί χώροι έχουν την τάση να προκαλούν ατυχήματα.

- b) **Μη χρησιμοποιείτε τα ηλεκτρικά εργαλεία σε εκρηκτικές ατμόσφαιρες, όπως όταν είναι παρόντα εύφλεκτα υγρά, αέρια ή σκόνη.**

Τα ηλεκτρικά εργαλεία δημιουργούν σπινθήρες οι οποίοι ενδέχεται να προκαλέσουν την ανάφλεξη αυτών των υλικών.

- c) **Κρατήστε τα παιδιά και τους παρευρισκόμενους μακριά όταν χρησιμοποιείτε ένα ηλεκτρικό εργαλείο.**

Αν αποσπαστεί η προσοχή σας, υπάρχει κίνδυνος να χάσετε τον έλεγχο.

2) Ηλεκτρική ασφάλεια

- a) **Τα φως των ηλεκτρικών εργαλείων πρέπει να είναι κατάλληλα για τις πρίζες.**

Μην τροποποιήσετε ποτέ το φως με οποιοδήποτε τρόπο.

Μη χρησιμοποιείτε φως προσαρμογής με γειωμένα ηλεκτρικά εργαλεία.

Τα μη τροποποιημένα φως και οι κατάλληλες πρίζες μειώνουν τον κίνδυνο ηλεκτροπληξίας.

- b) **Αποφύγετε τη σωματική επαφή με γειωμένες επιφάνειες όπως σωλήνες, θερμάστρες, μαγειρικές συσκευές και ψυγεία.**

Υπάρχει αυξημένος κίνδυνος ηλεκτροπληξίας όταν το σώμα σας είναι γειωμένο.

- c) **Μην εκθέτετε τα ηλεκτρικά εργαλεία στη βροχή ή σε συνθήκες υγρασίας.**

Το νερό που εισέρχεται σε ένα ηλεκτρικό εργαλείο αυξάνει τον κίνδυνο ηλεκτροπληξίας.

- d) **Μην ασκείτε δύναμη στο καλώδιο. Μη χρησιμοποιείτε ποτέ το καλώδιο για να μεταφέρετε, να τραβήξετε ή να βγάλετε από την πρίζα το ηλεκτρικό εργαλείο.**

Κρατήστε το καλώδιο μακριά από θερμότητα, λάδι, κοφτερές γωνίες και κινούμενα μέρη.

Τα κατεστραμμένα ή μπερδεμένα καλώδια αυξάνουν τον κίνδυνο ηλεκτροπληξίας.

- e) **Όταν χρησιμοποιείτε το εργαλείο σε εξωτερικό χώρο, χρησιμοποιήστε καλώδιο προέκτασης που προορίζεται για χρήση σε εξωτερικό χώρο.**

Η χρήση ενός καλωδίου κατάλληλου για εξωτερικό χώρο μειώνει τον κίνδυνο ηλεκτροπληξίας.

3) Προσωπική ασφάλεια

- a) **Να είστε σε ετοιμότητα, να βλέπετε αυτό που κάνετε και να χρησιμοποιείτε την κοινή λογική όταν χρησιμοποιείτε ένα ηλεκτρικό εργαλείο.**

Μη χρησιμοποιείτε ηλεκτρικά εργαλεία όταν είστε κουρασμένοι ή υπό την επίδραση ναρκωτικών ουσιών, οινοπνεύματος ή φαρμάκων.

Μια στιγμή απροσεξίας κατά τη χρήση ενός ηλεκτρικού εργαλείου μπορεί να προκαλέσει σοβαρό προσωπικό τραυματισμό.

- b) **Χρησιμοποιείτε εξοπλισμό ασφαλείας, Να φοράτε πάντοτε προστατευτικά γυαλιά για τα μάτια.**

Εξοπλισμός ασφαλείας όπως μάσκα για τη σκόνη, αντιολισθητικά υποδήματα, σκληρό κάλυμμα κεφαλής ή προστατευτικά ακοής που χρησιμοποιούνται στις αντίστοιχες συνθήκες μειώνουν τις πιθανότητες τραυματισμού.

- c) **Να αποφεύγετε την κατά λάθος έναρξη λειτουργίας. Να βεβαιώσετε ότι ο διακόπτης είναι στην κλειστή θέση (off) πριν τοποθετήσετε το φως στην πρίζα.**

Η μεταφορά ηλεκτρικών εργαλείων με το δάχτυλο στο διακόπτη λειτουργίας ή η σύνδεση ηλεκτρικών εργαλείων στο ρεύμα με το διακόπτη ανοιχτό αυξάνει τις πιθανότητες ατυχήματος.

- d) **Να αφαιρείτε τυχόν κλειδιά ρυθμιζόμενου ανοιγματος ή τα απλά κλειδιά πριν θέσετε σε λειτουργία το ηλεκτρικό εργαλείο.**

Ένα απλό κλειδί ή ένα κλειδί ρυθμιζόμενου ανοιγματος που είναι προσαρτημένο σε περιστρεφόμενο εξάρτημα του ηλεκτρικού εργαλείου μπορεί να προκαλέσει προσωπικό τραυματισμό.

- e) **Μην τεντώνεστε. Να διατηρείτε πάντοτε το κατάλληλο πάτημα και την ισορροπία σας.**

Με αυτόν τον τρόπο μπορείτε να ελέγχετε καλύτερα το ηλεκτρικό εργαλείο σε μη αναμενόμενες καταστάσεις.

- f) **Να είστε ντυμένοι κατάλληλα. Μη φοράτε φαρδιά ρούχα ή κοσμήματα. Να κρατάτε τα μαλλιά σας, τα ρούχα σας και τα γάντια σας μακριά από κινούμενα μέρη.**

Τα φαρδιά ρούχα, τα κοσμήματα και τα μακριά μαλλιά μπορεί να πιαστούν σε κινούμενα μέρη.

- g) **Αν παρέχονται εξάρτηματα για τη σύνδεση συσκευών εξαγωγής και συλλογής σκόνης, να βεβαιώσετε ότι είναι συνδεδεμένα και χρησιμοποιούνται με το σωστό τρόπο.**

Η χρήση αυτών των συσκευών μπορεί να μειώσει τους κινδύνους που σχετίζονται με τη σκόνη.

4) Χρήση και φροντίδα ηλεκτρικών εργαλείων

- a) **Μην ασκείτε δύναμη στο ηλεκτρικό εργαλείο. Να χρησιμοποιείτε το ηλεκτρικό εργαλείο που είναι κατάλληλο για το είδος της εργασίας που εκτελείτε.**

Το κατάλληλο ηλεκτρικό εργαλείο θα εκτελέσει την εργασία καλύτερα και με μεγαλύτερη ασφάλεια με τον τρόπο που σχεδιάστηκε.

- b) **Μη χρησιμοποιήσετε το ηλεκτρικό εργαλείο αν ο διακόπτης λειτουργίας δεν ανοίγει και δεν κλείνει. Ένα ηλεκτρικό εργαλείο που δεν ελέγχεται από το διακόπτη λειτουργίας είναι επικίνδυνο και πρέπει να επισκευαστεί.**

- c) **Βγάλετε το φως από την πρίζα πριν κάνετε οποιοδήποτε ρυθμίσεις, αλλάξετε εξάρτηματα ή αποθηκεύσετε το ηλεκτρικό εργαλείο.**

Αυτά τα προληπτικά μέτρα ασφαλείας μειώνουν τον κίνδυνο να ξεκινήσει το ηλεκτρικό εργαλείο κατά λάθος.

- d) **Αποθηκεύετε τα εργαλεία που δεν χρησιμοποιείτε μακριά από παιδιά και μην αφήνετε τα άτομα που δεν είναι εξοικειωμένα με το ηλεκτρικό εργαλείο ή με αυτές τις οδηγίες να χρησιμοποιούν το ηλεκτρικό εργαλείο.**

Τα ηλεκτρικά εργαλεία είναι επικίνδυνα στα χέρια μη εκπαιδευμένων ατόμων.

- e) **Συντηρείτε τα ηλεκτρικά εργαλεία. Να ελέγχετε την ευθυγράμμισή τους ή το μπλοκάρισμα των κινούμενων μερών, τη θραύση των εξαρτημάτων και οποιαδήποτε άλλη κατάσταση που ενδέχεται να επηρεάσει τη λειτουργία του ηλεκτρικού εργαλείου.**

Σε περίπτωση θλάθης, το ηλεκτρικό εργαλείο πρέπει να επισκευαστεί πριν χρησιμοποιηθεί.

Πολλά ατυχήματα προκαλούνται από ηλεκτρικά εργαλεία που δεν έχουν συντηρηθεί σωστά.

- f) **Διατηρείτε τα εργαλεία κοπής κοφτερά και καθαρά.** Τα κατάλληλα συντηρημένα εργαλεία κοπής με κοφτερές γωνίες μπλοκάρουν πιο δύσκολα και ελέγχονται πιο εύκολα.

- g) **Χρησιμοποιείτε το ηλεκτρικό εργαλείο, τα εξαρτήματα, τις μύτες των εργαλείων κλπ., σύμφωνα με αυτές τις οδηγίες και με τρόπο που είναι κατάλληλος για τον συγκεκριμένο τύπο ηλεκτρικού εργαλείου, λαμβάνοντας υπόψη τις συνθήκες εργασίας και την εργασία που πρόκειται να εκτελεστεί.**

Η χρήση του ηλεκτρικού εργαλείου σε λειτουργίες διαφορετικές από εκείνες για τις οποίες προορίζεται μπορεί να δημιουργήσει επικίνδυνες καταστάσεις.

5) Σέρβις

- a) **Να δίνετε το ηλεκτρικό εργαλείο για σέρβις σε κατάλληλα εκπαιδευμένα άτομα και να χρησιμοποιείτε μόνο γνήσια ανταλλακτικά.** Με αυτόν τον τρόπο είστε σίγουροι για την ασφάλεια του ηλεκτρικού εργαλείου.

ΠΡΟΦΥΛΑΞΗ

Μακριά από τα παιδιά και τους αναπήρους.

Όταν δεν χρησιμοποιούνται, τα εργαλεία πρέπει να φυλάσσονται μακριά από τα παιδιά και τους αναπήρους

ΠΡΟΦΥΛΑΚΤΙΚΑ ΜΕΤΡΑ ΠΑΝΩ ΣΤΗ ΧΡΗΣΗ ΤΟΥ ΔΙΣΚΟΥ ΛΕΙΑΝΣΗΣ

1. Ποτέ να μην θέσετε σε λειτουργία αυτά τα ηλεκτρικά εργαλεία χωρίς να έχουν τους Προφυλακτήρες των Τροχών.
2. Ελέγξτε ότι η ταχύτητα που είναι σημειωμένη στον τροχό είναι ίση ή μεγαλύτερη από την εκτιμώμενη ταχύτητα του λειαντή. Χρησιμοποιήστε μόνο τους κεντρικά χαμηλωμένους τροχούς με εκτιμώμενη ταχύτητα 80 m/s ή περισσότερο.
3. Βεβαιωθείτε ότι οι διαστάσεις του τροχού είναι συμβατές με αυτές του λειαντή και ότι ο τροχός ταιριάζει στον άξονα.
4. Οι λειαντικοί τροχοί θα πρέπει να αποθηκεύονται και να χειρίζονται με προσοχή σύμφωνα με τις οδηγίες του κατασκευαστή.
5. Ελέγξτε τον τροχό λείανσης πριν τη χρήση, μην χρησιμοποιήσετε σπασμένα στα άκρα, ραγισμένα ή ελαττωματικά προϊόντα.
6. Πάντοτε κρατάτε σταθερά τη λαβή του κορμού και την πλευρική λαβή του ηλεκτρικού εργαλείου. Διαφορετικά η αντίρροπη δύναμη που παράγεται μπορεί να προκαλέσει την λανθασμένη και ενδεχόμενη επικίνδυνη λειτουργία.
7. Μην χρησιμοποιήσετε τροχούς κοπής για πλευρική λείανση.
8. Μην χρησιμοποιήσετε ξεχωριστούς μειωτικούς δακτυλίους ή προσαρμογείς για να προσαρμόσετε λειαντικούς τροχούς με μεγάλη τρύπα.
9. Ο τροχός συνεχίζει να περιστρέφεται αφότου το μηχάνημα έχει σβήσει.

ΤΕΧΝΙΚΑ ΧΑΡΑΚΤΗΡΙΣΤΙΚΑ

| | | | |
|--------------------------------|--|----------------------------|-------------|
| Μοντέλο | | G12SE2 | G13SE2 |
| Τάση (ανά περιοχές)* | | (110V, 120V, 230V, 240V) ~ | |
| Ισχύς εισόδου* | | 1200 W | |
| Ταχύτητα χωρίς φορτίο* | | 11000 min ⁻¹ | |
| Τροχός | Εξωτερική διάμετρος × διάμετρος τρύπας | 115 × 22 mm | 125 × 22 mm |
| | Περιφερειακή ταχύτητα | 80 m/s | |
| Βάρος (Μόνο του κυρίου μέρους) | | 1,9 kg | |

* Βεβαιωθείτε να ελέγξετε την πινακίδα στο προϊόν επειδή υπόκεινται σε αλλαγή σε εξάρτηση από την περιοχή.

ΚΑΝΟΝΙΚΑ ΕΞΑΡΤΗΜΑΤΑ

- (1) Χαμηλωμένος κεντρικά τροχός 1
 (2) Κλειδί 1
 (3) Πλευρική λαβή 1
 Τα κανονικά εξαρτήματα υπόκεινται σε αλλαγή χωρίς προειδοποίηση.

ΕΦΑΡΜΟΓΕΣ

- Αφαίρεση των υλικών που παραμένουν στις οπές χυτών αντικειμένων και τελειώματα διάφορων τύπων ατσαλιού, χαλκού και υλικών αλουμινίου και χυτών υλικών.
- Λείανση ηλεκτροκολλημένων τμημάτων ή τμημάτων που έχουν κοπεί από φλόγιστρο.

- Λείανση συνθετικών ρητινών, σχιστόλιθο, τούβλο, μάρμαρο κλπ.
- Κόψιμο συνθετικού τσιμέντου, πέτρας, τούβλου, μάρμαρου και παρόμοιων υλικών.

ΠΡΙΝ ΤΗ ΛΕΙΤΟΥΡΓΙΑ

1. Πηγή ρεύματος

Βεβαιωθείτε ότι η πηγή ρεύματος που πρόκειται να χρησιμοποιηθεί είναι εναρμονισμένη με τις απαιτήσεις σε ρεύμα που αναφέρεται στην πινακίδα του εργαλείου.

2. Διακόπτης ρεύματος

Βεβαιωθείτε ότι ο διακόπτης ρεύματος βρίσκεται στη θέση OFF. Αν το βίσμα είναι στη μπρίζα καθώς ο διακόπτης ρεύματος βρίσκεται στο ON, το εργαλείο θα αρχίσει να λειτουργεί αμέσως, με πιθανότητα πρόκλησης σοβαρού ατυχήματος.

3. Καλώδιο προέκτασης

Όταν ο χώρος εργασίας βρίσκεται μακριά από την παροχή ρεύματος. Χρησιμοποιήστε ένα καλώδιο προέκτασης με κατάλληλο πάχος και ικανότητα μεταφοράς ρεύματος. Το καλώδιο προέκτασης πρέπει να είναι τόσο κοντό όσο είναι πρακτικά δυνατό.

4. Τοποθέτηση και προσαρμογή του προφυλακτήρα του τροχού

Ο προφυλακτήρας του τροχού είναι μια προστατευτική συσκευή για την αποφυγή του τραυματισμού στην περίπτωση που ο χαμηλωμένος κεντρικά τροχός πεταχτεί έξω κατά την διάρκεια της λειτουργίας. Εξασφαλίστε ότι ο χαμηλωμένος κεντρικά τροχός είναι κατάλληλα τοποθετημένος και στερεωμένος πριν αρχίσετε την λειτουργία λείανσης.

[Πώς να συνδέσετε και να προσαρμόσετε τον προφυλακτήρα του τροχού] (Εικ. 2)

- Τοποθετήστε το σύστημα του τροχού στο στυπιοελίπτη.
 - Σφίξτε την M5 βίδα για να στερεώσετε τον προφυλακτήρα του τροχού καθώς ο μοχλός βρίσκεται στην κλειστή θέση.
 - Πραγματοποιήστε την προσαρμογή του προφυλακτήρα του τροχού καθώς ο μοχλός έχει ελευθερωθεί (Ξεσφίξτε την M5 βίδα και επαναπροσαρμόστε αν ο προφυλακτήρας του τροχού δεν περιτρεφέται ομαλά).
 - Μετά την προσαρμογή, αν απαιτείται η λειτουργία λείανσης, εκτελέστε την λειτουργία μόνο αφού βάλετε τον μοχλό στην κλειστή θέση.
 - Λιπάνετε το ολισθαίνων τμήμα του κομματιού που εφαρμόζει (B) και του μοχλού αν ο μοχλός δεν μετακινείται ομαλά.
5. Βεβαιωθείτε ότι οι τροχοί στερέωσης και τα άκρα έχουν συνδεθεί σύμφωνα με τις οδηγίες του κατασκευστή.

Βεβαιωθείτε ότι ο χαμηλωμένος κεντρικά τροχός, που πρόκειται να χρησιμοποιηθεί είναι του σωστού τύπου και χωρίς ραγίσματα και ατέλειες στην επιφάνεια. Επίσης βεβαιωθείτε ότι ο χαμηλωμένος κεντρικά τροχός έχει στερεωθεί κατάλληλα και το παξιμάδι του τροχού είναι σφιγμένο με ασφάλεια. Ανατρέξτε στο τμήμα “Συναρμολόγηση Χαμηλωμένου Κεντρικά Τροχού”

Βεβαιωθείτε ότι οι δίσκοι προστασίας του τροχού χρησιμοποιούνται όταν παρέχονται με το συγκολλημένο λειαντικό προϊόν και όποτε απαιτούνται.

Μην χρησιμοποιήσετε ξεχωριστά εξαρτήματα ή προσαρμογείς για να προσαρμόσετε λειαντικούς τροχούς με μεγάλη τρύπα.

Για εργαλεία που προορίζονται να δέχονται τροχούς με σπείρωμα, βεβαιωθείτε ότι το σπείρωμα στο τροχό είναι αρκετά μακρύ για να δεχτεί το μήκος του άξονα.

Μην χρησιμοποιείτε τροχούς κοπής για πλευρική λείανση.

6. Εκτέλεση δοκιμαστικής χρήσης

Βεβαιωθείτε ότι τα προϊόντα λείανσης είναι σωστά συνδεδεμένα και σφιγμένα πριν από την χρήση και λειτουργήστε το εργαλείο χωρίς φορτίο για 30 δευτερόλεπτα σε μια ασφαλή θέση, σταματήστε αμέσως αν υπάρξει έντονη δόνηση ή αν παρουσιαστούν άλλες ανωμαλίες.

Αν αυτή η κατάσταση συμβεί, εξέγξτε το μηχάνημα για να ανακαλύψετε την αιτία.

7. Επιθεδαιώστε το κουμπί ώθησης

Βεβαιωθείτε ότι το κουμπί ώθησης δεν είναι ενεργοποιημένο πατώντας το κουμπί ώθησης δυο ή τρεις φορές πριν ξεκινήσετε το εργαλείο (Δείτε Εικ. 1).

8. Στερέωση της πλευρικής λαβής

Βιδώστε την πλευρική λαβή στο κάλυμμα των γρاناζιών.

ΠΡΑΚΤΙΚΗ ΕΦΑΡΜΟΓΗ ΤΟΥ ΛΕΙΑΝΤΗ

1. Πίεση

Για την επιμήκυνση του χρόνου ζωής του μηχανήματος και την εξασφάλιση ενός τελειώματος πρώτης ποιότητας, είναι σημαντικό το μηχάνημα να μην υπερφορτώνεται με την άσκηση υπερβολικής πίεσης. Στις περισσότερες εφαρμογές μόνο το βάρος του μηχανήματος είναι αρκετό για μια αποτελεσματική λείανση. Η υπερβολική πίεση θα προκαλέσει την ελάττωση της περιστροφικής ταχύτητας, τελειώμα επιφάνειας κατώτερης ποιότητας, και υπερφόρτωση η οποία θα ελαττώσει τον χρόνο ζωής του μηχανήματος.

2. Γωνία λείανσης

Μην ακουμπήστε ολόκληρη την επιφάνεια του χαμηλωμένου κεντρικά τροχού στο υλικό το οποίο πρόκειται να λειανθεί. Όπως φαίνεται στην Εικ. 3 το μηχάνημα πρέπει να κρατιέται σε γωνία 15° – 30° έτσι ώστε η εξωτερική άκρη του χαμηλωμένου κεντρικά τροχού να εφάπτεται στο υλικό κατά την βέλτιστη γωνία.

3. Για την αποφυγή του σκαψίματος ενός καινούργιου χαμηλωμένου κεντρικά τροχού πάνω στο αντικείμενο εργασίας, η αρχική λείανση πρέπει να εκτελεστεί τραβώντας τον λειαντή πάνω στο αντικείμενο εργασίας προς το χρήστη (Εικ. 3 **διεύθυνση Β**). Αφότου το μπιστόνι άκρο του χαμηλωμένου κεντρικά τροχού έχει κατάλληλα τριβεί, η λείανση μπορεί να πραγματοποιηθεί κατά την οποιαδήποτε κατεύθυνση.

4. Λειτουργία διακόπτη

[Όταν ο διακόπτης έχει μηχανισμό κλειδώματος]

Ξεκίνημα λειτουργίας:

Για να ξεκινήσετε, σπρώξτε το μοχλό κλειδώματος προς την διεύθυνση **A** και πατήστε τον πλακουτσό μοχλό προς την διεύθυνση **B** όπως φαίνεται στην **Εικ. 4-a**.

Επιπρόσθετα, σπρώξτε το μοχλό κλειδώματος προς την διεύθυνση **C** όπως φαίνεται στην **Εικ. 4-b** καθώς πατάτε τον πλακουτσό μοχλό για να το κλειδώσετε και να πραγματοποιηθεί με τον τρόπο αυτό η συνεχής λειτουργία.

Σταμάτημα λειτουργίας:

Για να απενεργοποιήσετε τη θέση κλειδώματος, πατήστε τον πλακουτσό μοχλό προς την διεύθυνση **B** όπως φαίνεται στην **Εικ. 4-a**, και ελευθερώστε τον πλακουτσό μοχλό για το σταμάτημα της λειτουργίας.

[Όταν ο διακόπτης δεν έχει μηχανισμό κλειδώματος]

Για το ξεκίνημα της λειτουργίας, σπρώξτε τον μοχλό κλειδώματος προς την διεύθυνση **A** και πατήστε τον πλακουτσό μοχλό προς την διεύθυνση **B** όπως φαίνεται στην **Εικ. 4-a**. Ελευθερώστε τον πλακουτσό μοχλό για να σταματήσει η λειτουργία.

ΣΗΜΕΙΩΣΗ

Ο πλακουτσός μοχλός δεν μπορεί να κλειδωθεί.

5. Προφυλακτικά μέτρα αμέσως μετά το τέλος της λειτουργίας

Ο τροχός συνεχίζει να περιστρέφεται αφότου το εργαλείο τεθεί εκτός λειτουργίας.

Μετά το κλείσιμο της μηχανής, μην το βάλετε κάτω πριν ο χαμηλωμένος κεντρικά τροχός σταματήσει τελείως. Εκτός από την αποφυγή σοβαρών ατυχημάτων, αυτό το μέτρο προφύλαξης θα ελαττώσει τη ποσότητα της σκόνης και τριμμάτων που προσροφώνται από το μηχάνημα.

ΠΡΟΣΟΧΗ

- Ελέγξτε αν το αντικείμενο εργασίας υποστηρίζεται κατάλληλα.
- Βεβαιωθείτε ότι τα ανοίγματα αερισμού διατηρούνται καθαρά κατά την διάρκεια της εργασίας σε σκοనిαμένες περιοχές. Αν είναι απαραίτητο να καθαρίσετε τη σκόνη, πρώτα αποσυνδέστε το εργαλείο από την παροχή ρεύματος (χρησιμοποιήστε μη μεταλλικά αντικείμενα) και αποφύγετε να προκαλέσετε ζημιά στα εσωτερικά τμήματα.
- Βεβαιωθείτε ότι οι σπίθες που προκαλούνται από τη χρήση δεν δημιουργούν κίνδυνο πχ δεν κτυπούν τους ανθρώπους, ή αναφλέγουν εύφλεκτα υλικά.
- Πάντοτε να φοράτε γυαλιά ασφαλείας και προστατευτικά αυτιών, χρησιμοποιήστε προσωπικό προστατευτικό εξοπλισμό όπως γάντια, ποδιά και κράνος όταν είναι απαραίτητο.
- Πάντοτε να χρησιμοποιείτε προστατευτικά ματιών και αυτιών. Άλλος εξοπλισμός προσωπικής προστασίας όπως μάσκα σκόνης, γάντια, κράνος και ποδιά πρέπει να χρησιμοποιείται όταν είναι απαραίτητο. Αν βρίσκεστε σε αμφιβολία φορέστε τον προστατευτικό εξοπλισμό.
- Όταν το μηχάνημα δεν χρησιμοποιείται, η πηγή ηλεκτρικού ρεύματος πρέπει να αποσυνδέεται.

ΣΥΝΑΡΜΟΛΟΓΗΣΗ ΚΑΙ ΑΠΟΣΥΝΑΡΜΟΛΟΓΗΣΗ ΤΟΥ ΧΑΜΗΛΩΜΕΝΟΥ ΚΕΝΤΡΙΚΑ ΤΡΟΧΟΥ (Εικ. 1)

ΠΡΟΣΟΧΗ

Βεβαιωθείτε να κλείσετε και να αποσυνδέσετε τον υποδοχέα από την πρίζα για την αποφυγή σοβαρού ατυχήματος.

1. Συναρμολόγηση (Εικ. 1)

- (1) Γυρίστε το λειαντή ανάποδα έτσι ώστε ο άξονας να βλέπει προς τα επάνω.
- (2) Ταιριάξτε το διάκενο της ροδέλας του τροχού με το εντετημημένο τμήμα του άξονα, μετά συνδέστε τα.
- (3) Εφαρμόστε το προεξέχων τμήμα του χαμηλωμένου κεντρικά τροχού πάνω στη ροδέλα του τροχού.
- (4) Βιδώστε το παξιμάδι του τροχού πάνω στον άξονα.
- (5) Καθώς σπρώχνεται το κουμπί ώθησης με το ένα χέρι, ασφαλίστε τον άξονα περιστρέφοντας τον χαμηλωμένο κεντρικά τροχό αργά με το άλλο χέρι. Σφίξτε το παξιμάδι του τροχού χρησιμοποιώντας το παρεχόμενο κλειδί όπως φαίνεται στην **Εικ. 1**.

2. Αποσυναρμολόγηση

Ακολουθήστε τις παραπάνω διαδικασίες αντίστροφα.

ΠΡΟΣΟΧΗ

- Επιβεβαιώστε ότι ο χαμηλωμένος κεντρικά τροχός έχει στερεωθεί καλά.
- Επιβεβαιώστε ότι το κουμπί ώθησης έχει απεμπλακεί σπώνωντας το δυο ή τρεις φορές πριν την εκκίνηση του ηλεκτρικού εργαλείου.

ΣΥΝΤΗΡΗΣΗ ΚΑΙ ΕΛΕΓΧΟΣ

1. Έλεγχος του χαμηλωμένου κεντρικά τροχού

Βεβαιωθείτε ότι ο χαμηλωμένος κεντρικά τροχός δεν έχει ραγίσματα ή ατέλειες στην επιφάνεια.

2. Έλεγχος των βιδών στερέωσης

Ελέγχετε περιοδικά όλες τις βίδες στερέωσης και βεβαιωθείτε ότι είναι κατάλληλα σφιγμένες. Στην περίπτωση που χαλαρώσει οποιαδήποτε βίδα σφίξτε την ξανά αμέσως. Αν δεν το κάνετε αυτό μπορεί να έχει ως αποτέλεσμα το σοβαρό τραυματισμό.

3. Έλεγχος στα καρβουνάκια (Εικ. 5)

Το Μοτέρ χρησιμοποιεί καρβουνάκια τα οποία είναι αναλώσιμα μέρη.

Όταν φθαρούν ή όταν φθάσουν κοντά στο "όριο φθοράς", μπορεί να προκληθεί πρόβλημα στο μοτέρ. Όταν παρασχεθεί ένα καρβουνάκι αυτόματη διακοπή, το μοτέρ θα σταματήσει αυτόματα.

Σε αυτή τη χρονική στιγμή, αντικαταστήστε και τα δυο καρβουνάκια με καινούργια τα οποία έχουν τους ίδιους Αριθμούς Άνθρακα που φαίνονται στην εικόνα. Επιπρόσθετα, πάντοτε κρατάτε τα καρβουνάκια καθαρά και εξασφαλίστε ότι ολισθαίνουν ελεύθερα ανάμεσα στις θήκες.

4. Αντικατάσταση των καρβουνακίων (Εικ. 6)

(Αποσυναρμολόγηση)

- (1) Χαλαρώστε την D4 αυτόματα προσαρμοζόμενη βίδα που κρατάει το πίσω κάλυμμα και βγάλτε το πίσω κάλυμμα.
- (2) Χρησιμοποιήστε το βοηθητικό εξ. κλειδί ή ένα μικρό κατσαβίδι για να τραβήξετε το άκρο του ελατηρίου που κρατά κάτω το καρβουνάκι. Αφαιρέστε το άκρο του ελατηρίου προς το εξωτερικό της θήκης του καρβουνακίου.

- (3) Αφαιρέστε το άκρο της ψύκτρας στο καρβουνάκι από το τερματικό τμήμα της θήκης του καρβουνακιού και μετά αφαιρέστε το καρβουνάκι από την θήκη του καρβουνακιού.

(Συναρμολόγηση)

- (1) Βάλτε το άκρο της ψύκτρας του καρβουνακιού στο τερματικό τμήμα της θήκης του καρβουνακιού.
 (2) Βάλτε το καρβουνάκι στην θήκη του καρβουνακιού.
 (3) Χρησιμοποιήστε το βοηθητικό εξ. κλειδί ή ένα μικρό κατσαβίδι για να επιστρέψετε το άκρο του ελατηρίου στο πάνω μέρος του καρβουνακιού.
 (4) Στερεώστε το πίσω κάλυμμα και σφίξτε την D4 αυτόματα προσαρμοζόμενη βίδα.

5. Συντήρηση του μοτέρ

Η περιέλιξη της μονάδα του μοτέρ είναι η καρδιά του ηλεκτρικού εργαλείου. Δώστε μεγάλη προσοχή για να σιγουρευτείτε ότι η περιέλιξη δεν θα πάθει ζημιά και / ή θα βρεχθεί με λάδι ή νερό.

6. Λίστα συντήρησης των μερών

- A: Αρ. Αντικειμένου
 B: Αρ. Κωδικού
 C: Αρ. που χρησιμοποιήθηκε
 D: Παρατηρήσεις

ΠΡΟΣΟΧΗ

Η επισκευή, η τροποποίηση και ο έλεγχος των Ηλεκτρικών Εργαλείων Hitachi πρέπει να γίνεται από ένα Εξουσιοδοτημένο κέντρο σέρβις της Hitachi.

Αυτή η Λίστα των Μερών θα είναι χρήσιμη αν παρουσιαστεί μαζί με το εργαλείο στο εξουσιοδοτημένο Κέντρο Σέρβις της Hitachi όταν ζητάτε επισκευή ή κάποια άλλη συντήρηση.

Κατά τον έλεγχο και τη συντήρηση των ηλεκτρικών εργαλείων, οι κανόνες ασφαλείας και οι κανονισμοί που υπάρχουν σε κάθε χώρα πρέπει να ακολουθούνται.

ΤΡΟΠΟΠΟΙΗΣΗ

Τα Ηλεκτρικά Εργαλεία Hitachi βελτιώνονται συνεχώς και τροποποιούνται για να συμπεριλάβουν τις τελευταίες τεχνολογικές προόδους.

Κατά συνέπεια, ορισμένα τμήματα (δηλ. κωδικοί αριθμοί και / ή σχεδιασμός) μπορούν να αλλάξουν χωρίς προηγούμενη ειδοποίηση.

Πληροφορίες που αφορούν τον εκπεμπόμενο θόρυβο και τη δόνηση

Οι τιμές μετρήθηκαν σύμφωνα με το EN60745 και βρέθηκαν σύμφωνες με το ISO 4871.

Μέτρηση στάθμης ισχύος ήχου εξισορροπημένου A:
95 dB (A)

Μέτρηση στάθμης πίεσης ήχου εξισορροπημένου A:
84 dB (A)

Αβεβαιότητα ΚrA: 3 dB (A)

Φοράτε προστατευτικά αυτιών.

Η τυπική τιμή ρίζας μέσης τετραγωνικής επιτάχυνσης δεν είναι μεγαλύτερη από 2,5 m/s²

ΣΗΜΕΙΩΣΗ

Εξαιτίας του συνεχιζόμενου προγράμματος έρευνας και ανάπτυξης της Hitachi τα τεχνικά χαρακτηριστικά που εδώ αναφέρονται μπορούν να αλλάξουν χωρίς προηγούμενη ειδοποίηση.

OGÓLNE WSKAZÓWKI BEZPIECZEŃSTWA

OSTRZEŻENIE!

Należy przeczytać wszystkie instrukcje

Nieprzestrzeganie któregokolwiek z zamieszczonych poniżej zaleceń może być przyczyną porażenia prądem elektrycznym, pożaru i/lub poważnych obrażeń ciała. Występujące w poniższych ostrzeżeniach wyrażenie "urządzenie elektryczne" oznacza urządzenia zasilane z sieci elektrycznej (za pomocą przewodu) lub baterii (bezprowadowej).

INSTRUKCJE POWINNY BYĆ ZACHOWANE NA PRZYSZŁOŚĆ

1) Miejsce pracy

- Miejsce pracy powinno być uprzątnięte i czyste.**
W miejscach nieuporządkowanych i źle oświetlonych ryzyko wypadku jest większe.
- Nie należy używać urządzeń elektrycznych w przypadku zagrożenia wybuchem, na przykład w obecności łatwopalnych płynów, gazów lub pyłów.**
Urządzenia elektryczne wytwarzają iskry, które mogą spowodować zapłon pyłu.
- Dzieci i osoby postronne nie powinny znajdować się w pobliżu pracującego urządzenia elektrycznego.**
Odwrócenie uwagi użytkownika może spowodować utratę kontroli nad urządzeniem.

2) Bezpieczeństwo elektryczne

- Wtyczka urządzenia elektrycznego musi być odpowiednia do gniazdka.**
Nigdy nie należy w jakikolwiek sposób przerabiać wtyczki.
Nie używać jakichkolwiek elementów łączących z urządzeniami wymagającymi uziemienia.
Używanie tylko oryginalnych wtyczek pasujących do gniazdka ogranicza ryzyko porażenia prądem elektrycznym.
- Unikać kontaktu z przedmiotami uziemionymi, takimi jak rury, kaloryfery, kuchenki i urządzenia chłodnicze.**
W przypadku dotykania uziemienia ryzyko porażenia prądem elektrycznym jest większe.
- Nie narażać urządzeń elektrycznych na działanie deszczu lub wilgoci.**
Przedostanie się wody do urządzenia zwiększa ryzyko porażenia prądem elektrycznym.
- Odpowiednio używać przewodów zasilających. Nigdy nie wykorzystywać przewodu do przenoszenia lub ciągnięcia urządzenia lub też wyciągania wtyczki z gniazdka.**
Utrzymywać przewód z dala od źródeł ciepła, oleju, ostrych krawędzi lub części ruchomych.
Uszkodzenie lub nacięcie przewodu zwiększa ryzyko porażenia prądem elektrycznym.
- Podczas pracy z urządzeniem elektrycznym na wolnym powietrzu należy używać odpowiedniego przedłużacza.**
Używanie przedłużacza przeznaczonego do pracy na wolnym powietrzu zmniejsza ryzyko porażenia prądem elektrycznym.

3) Bezpieczeństwo osobiste

- Podczas pracy z urządzeniem elektrycznym należy zachowywać koncentrację i planować wykonywane zadania, kierując się zdrowym rozsądkiem.**
Urządzenia elektryczne nie powinny obsługiwać osoby zmęczone lub znajdujące się pod wpływem substancji odurzających, alkoholu lub leków.
Chwila nieuwagi podczas pracy z urządzeniem może stać się przyczyną poważnych obrażeń.
 - Używać wyposażenia ochronnego. Zawsze nosić okulary ochronne.**
Używanie wyposażenia ochronnego, takiego jak maski przeciwpyłowe, buty przeciwpoślizgowe, odpowiednie nakrycie głowy i słuchawki ogranicza ryzyko obrażeń ciała.
 - Unikać nieprzewidzianego uruchomienia urządzenia. Przed włożeniem wtyczki do gniazdka upewnić się, że urządzenie jest wyłączone.**
Przenoszenie urządzenia z palcem na wyłączniku lub podłączenie do sieci włączonego urządzenia może spowodować wypadek.
 - Przed włączeniem urządzenia usunąć wszelkiego rodzaju klucze regulacyjne.**
Pozostawienie klucza w ruchomej części urządzenia może spowodować obrażenia.
 - Nie trzymać urządzenia zbyt daleko od siebie. Zachować stabilną pozycję przez cały czas.**
Umożliwia to pełne panowanie nad urządzeniem, nawet w nieoczekiwanych sytuacjach.
 - Nosić odpowiednią odzież. Nie należy nosić luźnych ubrań oraz biżuterii. Utrzymywać włosy, odzież i rękawice z dala od ruchomych części urządzenia.**
Luźne ubrania, biżuteria lub długie włosy mogą zostać wciągnięte przez poruszające się części.
 - Jeżeli urządzenie wyposażone jest w system odprowadzania pyłu, powinien on być założony i właściwie używany.**
Użycie tego rodzaju urządzeń ograniczy zagrożenia związane z gromadzeniem się pyłu.
- #### 4) Obsługa i konserwacja urządzenia
- Nie dociskać urządzenia zbyt mocno. Należy używać tylko właściwego urządzenia, odpowiedniego dla wykonywanej pracy.**
Użycie odpowiedniego urządzenia spowoduje, że praca zostanie wykonana lepiej i bezpieczniej.
 - Nie używać urządzenia elektrycznego, którego wyłącznik jest niesprawny.**
Urządzenie, które nie może zostać wyłączone za pomocą wyłącznika, jest niebezpieczne i musi zostać przeznaczone do naprawy.
 - Przed przystąpieniem do jakichkolwiek prac, jak na przykład wymiana akcesoriów, urządzenie musi zostać wyłączone z sieci. To samo dotyczy przechowywania urządzenia nieużywanego.**
Umożliwi to zmniejszenie ryzyka nieprzewidzianego uruchomienia urządzenia.
 - Urządzenia elektryczne powinny być przechowywane poza zasięgiem dzieci oraz wszelkich osób nie znających zasad funkcjonowania i obsługi tego typu urządzeń.**

Obsługa urządzeń elektrycznych przez osoby nie znające zasad ich funkcjonowania jest niebezpieczna.

- e) **Wykonywać odpowiednie prace konserwacyjne. Kontrolować prawidłowość ustawienia części ruchomych, ich uszkodzenia i wszelkie inne kwestie, mogące spowodować nieprawidłową pracę urządzenia.**

Uszkodzone urządzenie powinno zostać natychmiast przekazane do naprawy.

Wiele wypadków spowodowane jest niewłaściwą konserwacją urządzeń elektrycznych.

- f) **Narzędzia tnące powinny być naostrzone i czyste.**

Odpowiednio naostrzone narzędzia nie będą się wyginać i są łatwiejsze w używaniu.

- g) **Urządzenie elektryczne, akcesoria, wiertła itd. powinny być używane zgodnie z niniejszymi zaleceniami oraz w sposób odpowiadający wykonywanej pracy, przy uwzględnieniu warunków panujących w otoczeniu.**

Wykorzystanie urządzenia elektrycznego do pracy, do której nie jest ono przeznaczone, grozi wypadkiem.

5) Serwis

- a) **Urządzenie powinno być serwisowane tylko przez osoby posiadające odpowiednie kwalifikacje, przy użyciu wyłącznie identycznych, oryginalnych części zamiennych.**

Zapewni to utrzymanie pełnego bezpieczeństwa pracy z urządzeniem.

ŚRODKI OSTROŻNOŚCI

Dzieci i osoby niepełnosprawne nie powinny znajdować się w pobliżu urządzenia.

Nieużywane urządzenie powinno być przechowywane w miejscu poza zasięgiem dzieci i osób niepełnosprawnych.

ŚRODKI OSTROŻNOŚCI PRZY UŻYCIU SZLIFIERKI TARCZOWEJ

- Nigdy nie używaj narzędzia bez osłony tarczy.
- Upewnij się że prędkość zaznaczona na tarczy jest równa lub większa niż znamionowa prędkość szlifierki. Używaj wyłącznie obniżonych tarczy środkowych obliczonych na 80 m/sec lub więcej.
- Upewnij się, że rozmiary tarczy są odpowiednie do szlifierki i że tarcza pasuje do wrzeciona.
- Tarcze ściernie powinny być odpowiednio przechowywane i używane zgodnie z instrukcją producenta.
- Sprawdź obniżone tarcze środkowe przed użyciem i nie używaj wyszczerbionych, pękniętych i wadliwych produktów.
- Zawsze mocno trzymaj za główny oraz boczny uchwyt narzędzia. Inaczej powstała siła odśrodkowa może spowodować niedokładne i niebezpieczne działanie.
- Nie używaj tarcz wiertarskich tnących do szlifowania bocznego.
- Nie używaj oddzielnych pierścieni redukcyjnych ani pośrednich aby zamocować tarcze z większymi otworami.
- Tarcze obracają się nadal po wyłączeniu narzędzia.

DANE TECHNICZNE

| | | | |
|-------------------------------------|---------------------------------------|-------------|-------------|
| Model | G12SE2 | | G13SE2 |
| Napięcie (w zależności od miejsca)* | (110V, 120V, 230V, 240V) ∪ | | |
| Moc pobierana* | 1200 W | | |
| Prędkość obrotowa bez obciążenia* | 11000 min ⁻¹ | | |
| Tarcza | Zewnętrzna średnica × średnica otworu | 115 × 22 mm | 125 × 22 mm |
| | Prędkość obwodowa | 80 m/s | |
| Waga Sama główna część (kadłub) | 1,9 kg | | |

*Sprawdź nazwę produktu, jako że ulega ona zmianie w zależności od miejsca zakupu.

WYPOSAŻENIE STANDARDOWE

- (1) Obniżona tarcza środkowa 1
 (2) Klucz 1
 (3) Boczny uchwyt 1
 Wyposażenie standardowe może ulec zmianie bez uprzedzenia.

ZASTOSOWANIE

- Usuwanie żebra odlewniczego i wykończenia różnego typu stali, brązu, i aluminiowych materiałów i odlewów.
- Zeszlifowywanie zespalanych części lub części pociętych palnikami.
- Zeszlifowywanie syntetycznych żywic, łupka, cegły, marmuru itp.
- Cięcie syntetycznego betonu, kamienia, cegły, marmuru i podobnych materiałów.

PRZED UŻYCIEM

- Źródło mocy**
Upewnij się, że źródło mocy jest zgodne z wymogami mocy zaznaczonymi na tabliczce znamionowej.
- Wyłącznik sieciowy**
Upewnij się, że wyłącznik jest wyłączony (pozycja OFF). Jeśli wtyczka jest włączona do sieci podczas gdy wyłącznik jest włączony (pozycja ON), narzędzie zacznie działać natychmiast, co może spowodować poważny wypadek.
- Przedłużacz**
Kiedy miejsce pracy znajduje się daleko od źródła prądu, użyj przedłużacza o odpowiedniej grubości i mocy. Przedłużacz powinien być najkrótszy jak tylko jest to możliwe.

4. Montaż i regulacja osłony tarczy

Osłona tarczy to urządzenie zabezpieczające przed zranieniem się w przypadku, gdyby obniżone tarcze środkowe pękły w trakcie pracy. Upewnij się, że osłona jest odpowiednio zamocowana i zaciśnięta przed rozpoczęciem szlifowania.

[Jak zamocować i wyregulować osłonę tarczy](Rys. 2)

- Ustaw zestaw tarczy na dławiku.
- Przyciśnij śrubę M5 w celu zamocowania osłony tarczy, podczas gdy dźwignia jest w pozycji zamkniętej.
- Reguluj osłonę tarczy podczas gdy dźwignia jest zwolniona (Poluzuj śrubę M5 i wyreguluj, jeśli osłona tarczy nie obraca się gładko).
- Po wyregulowaniu, jeśli zamierzasz szlifować, zrób to dopiero po ustawieniu dźwigni w pozycji zamkniętej.
- Nasmaruj część ślizgową elementu ustalającego (B) i dźwigni, jeśli dźwignia nie porusza się gładko.

5. Upewnij się, że osadzone tarcze i dłuta są dopasowane zgodnie z instrukcjami producenta

Upewnij się, że obniżona tarcza środkowa, której zamierzasz użyć jest odpowiedniego typu i nie ma pęknięć bądź uszkodzeń. Także upewnij się, że obniżona tarcza środkowa jest odpowiednio zamocowana i że nakrętka tarczy jest bezpiecznie dociśnięta. Porównaj z punktem instrukcji dotyczącym „Składania Obniżonej Płasty”. Upewnij się że używasz suszki, jeśli jest ona dołączona do urządzenia i jeśli jest wymagana.

Nie używaj oddzielnych pierścieni redukcyjnych ani pośrednich, aby zamocować tarcze z większymi otworami. Jeśli zamierzasz użyć narzędzi z tarczami o otworach gwintowanych, upewnij się że gwinty tarcz są wystarczająco długie, aby wkręcić wrzeciono narzędzia. Nie używaj tarcz szlifierskich tnących do szlifowania bocznego.

6. Przeprowadzenie próby

Upewnij się, że urządzenie jest właściwie zamocowane i zaciśnięte zanim go użyjesz, i uruchom narzędzie na biegu jałowym na 30 sekund w bezpiecznej pozycji (safe). Zatrzymaj niezwłocznie, jeśli wystąpi silna wibracja lub jeśli wykryjesz inne defekty. Jeśli wystąpi taka sytuacja, sprawdź urządzenie by znaleźć przyczynę.

7. Sprawdź przycisk

Upewnij się, że przycisk jest rozłączony poprzez wciśnięcie go dwa lub trzy razy zanim uruchomisz narzędzie (zobacz Rys. 1).

8. Założenie bocznego uchwytu

Przykręć boczny uchwyt do pokrywy narzędzia.

15° – 30°, tak aby zewnętrzny kraniec obniżonej tarczy środkowej stykał się z materiałem pod optymalnym kątem.

3. By zapobiec werżnięciu się nowej obniżonej tarczy środkowej w obrabiany przedmiot, początkowe szlifowanie powinno być przeprowadzone przez pociągnięcie szlifierki w poprzek obiektu w kierunku operatora szlifierki (Rys. 3 kierunek B). Kiedy już krawędź prowadząca obniżonej tarczy środkowej jest odpowiednio starta, szlifowanie może być prowadzone w dowolnym kierunku.

4. Operacja przełączania

[Gdy przełącznik posiada mechanizm blokujący]

Przełącznik w pozycji ON (włączony):

Aby włączyć, przesuń dźwignię zamku w kierunku (A) i przyciśnij dźwignię łopatki w kierunku (B), tak jak widać na Rys. 4-a. Następnie przesuń dźwignię zamku w kierunku (C), tak jak widać na Rys. 4-b, przyciskając w trakcie dźwignię łopatki tak, by się zablokowała i umożliwiła ciągłą operację.

Przełącznik w pozycji OFF (wyłączony):

By zwolnić mechanizm blokujący przyciśnij dźwignię łopatki w kierunku (B), tak jak widać na Rys. 4-a, i zwolnij dźwignię łopatki w celu wyłączenia.

[Gdy przełącznik nie posiada mechanizmu blokującego]

Aby włączyć, przesuń dźwignię zamku w kierunku (A) i przyciśnij dźwignię łopatki w kierunku (B), tak jak widać na Rys. 4-a. Zwolnij dźwignię łopatki w celu wyłączenia.

UWAGA

Dźwignia łopatki nie może zostać zablokowana.

5. Środki ostrożności bezpośrednio po skończeniu pracy

Tarcza obraca się nadal po wyłączeniu narzędzia. Po wyłączeniu nie odkładaj maszyny zanim obniżona tarcza nie zatrzyma się całkowicie.

To zabezpieczenie pomoże uniknięcia poważnych wypadków i ograniczy ilość kurzu i opiłków wciągniętych do maszyny.

OSTRZEŻENIA

- Sprawdź czy obrabiany przedmiot jest odpowiednio umocowany.
- Upewnij się, że otwory wentylacyjne są przepustowe podczas pracy w kurzu.
- Jeśli koniecznym jest usunięcie kurzu, najpierw rozłącz narzędzie z sieci (nie używaj do tego obiektów z metalu) oraz unikaj uszkodzenia części wewnętrznych.
- Upewnij się, że pojawiające się w trakcie pracy iskry nie powodują zagrożenia, tzn. nie trafiają w ludzi lubi nie podpalają łatwopalnych substancji.
- Zawsze używaj ochronnych okularów i koreków do uszu, oraz używaj innego sprzętu ochronnego jak np. rękawic fartucha i hełmu kiedy zajdzie taka potrzeba.
- Zawsze używaj zabezpieczeń oczu i uszu.
- Inny osobisty sprzęt ochronny jak np. maska przeciwpyłowa, rękawice, hełm i fartuch powinny być zakładane w razie potrzeby.
- Jeśli masz wątpliwości, użyj odzieży i sprzętu ochronnego.
- Jeśli maszyna nie jest używana, powinna być wyłączona z kontaktu.

PRAKTYCZNE ZASTOSOWANIE SZLIFIERKI

1. Nacisk

W celu przedłużenia żywotności maszyny oraz uzyskania wykończenia pierwszej jakości, ważne jest, by nie przeciążyć maszyny przez wywieranie na nią zbyt silnego nacisku.

Przy większości zastosowań ciężar własny maszyny jest wystarczający do skutecznego szlifowania. Zbyt silny nacisk spowoduje ograniczenie prędkości obrotowej, niedoskonałe wykończenie powierzchni i przeciążenie, które może spowodować skrócenie żywotności maszyny.

2. Kąt szlifowania

Nie dotykaj całą powierzchnią obniżonej tarczy środkowej do szlifowanego materiału. Jak pokazano w Rys. 3, maszyna powinna być trzymana pod kątem

SKŁADANIE I ROZKŁADANIE OBNIŻONYCH TARCZ ŚRODKOWYCH (Rys. 1)

UWAGA

Upewnij się, że wyłączyłeś wyłącznik (przełącz na OFF) oraz wtyczkę z kontaktu aby uniknąć poważnego wypadku.

1. Składanie (Rys. 1)

- (1) Przekręć szlifierkę tarczową do góry nogami tak aby wrzeciono było skierowane w górę.
- (2) Ustaw poprzeczne płyty podkładek tarczy w równej linii z naciętą częścią wrzeciona i zamocuj je.
- (3) Zamocuj wypukłą część obniżonej tarczy środkowej na podkładce tarczy.
- (4) Wkręć nakrętkę tarczy na wrzeciono.
- (5) Podczas gdy wciskasz przycisk jedną ręką, drugą ręką umocuj wrzeciono w pozycji pomalą obracając tarczę. Dociśnij nakrętkę tarczy używając załączonego klucza, tak jak widać to na **Rys. 1**.

2. Rozłożenie

Użyj powyższych wskazówek tylko w odwrotnej kolejności.

UWAGA

- Upewnij się, że obniżona tarcza środkowa jest mocno zamocowana.
- Upewnij się, że przycisk jest rozłączony wciskając go dwa lub trzy razy zanim włączysz narzędzie (ON).

KONSERWACJA I INSPEKCJA

1. Sprawdzanie obniżonej tarczy środkowej

Upewnij się, że obniżona tarcza środkowa nie ma pęknięć i defektów powierzchni.

2. Sprawdzanie śrub mocujących

Regularnie sprawdzaj wszystkie mocujące śruby i upewnij się, że są mocno przykręcone. Jeśli któraś z nich się obluzuje, natychmiast ją przykręć. Zaniedbanie tego może spowodować poważne zagrożenie.

3. Sprawdzanie szczotek węglowych (Rys. 5)

W silniku zastosowane są szczotki węglowe, które ulegają zużyciu. Gdy zużyją się lub gdy są bliskie limitu zużycia może to spowodować kłopoty z silnikiem. Gdy urządzenie jest wyposażone w szczotki węglowe z automatycznym wyłącznikiem, silnik wyłączy się sam. Wymień wtedy szczotki na nowe o tych samych numerach widocznych na ilustracji.

Dodatkowo, zawsze utrzymuj je w czystości i sprawdzaj, czy poruszają się luźno wewnątrz uchwytów.

4. Wymiana szczotek węglowych (Rys. 6)

(Rozkładanie)

- (1) Poluzuj wkręt samogwintujący D4 zabezpieczający pokrywę tylną i zdejmij pokrywę tylną.
- (2) Użyj pomocniczego sześciokątnego klucza lub małego śrubokrętu w celu podciągnięcia krawędzi sprężyny mocującej szczotkę węglową. Wyjmij krawędź sprężyny w kierunku zewnętrznym obsady szczotkowej.
- (3) Wyjmij koniec przewodu szczotki węglowej z sekcji końcowej obsady szczotkowej i wyjmij szczotkę węglową z obsady szczotkowej.

(Montaż)

- (1) Włóż koniec przewodu szczotki węglowej do sekcji końcowej obsady szczotkowej.
- (2) Włóż szczotkę węglową w obsadę szczotkową.
- (3) Użyj pomocniczego sześciokątnego klucza lub małego śrubokrętu w celu przywrócenia krawędzi sprężyny do przodu szczotki węglowej.

- (4) Zamocuj pokrywę tylną i przykręć wkręt samogwintujący D4.

5. Konserwacja silnika

Wirnik silnika jest sercem narzędzia.

Zadbaj, by wirnik nie został uszkodzony i nie zawilgotniał lub pokrył się olejem.

6. Lista części zamiennych

- A: Nr części
- B: Nr kodu
- C: Ilość użytych części
- D: Uwagi

UWAGA

Naprawa, modyfikacje i przeglądy narzędzi elektrycznych Hitachi musi być wykonywane przez Autoryzowane Centrum Obsługi Hitachi.

Ta lista części będzie przydatna jeśli zostanie wręczona wraz z narzędziem, gdy zgłosimy się do naprawy lub przeglądu w Autoryzowanym Centrum Obsługi Hitachi. Podczas użytkowania i konserwacji narzędzi elektrycznych muszą być przestrzegane przepisy i standardy bezpieczeństwa.

MODYFIKACJE

Narzędzia elektryczne Hitachi są ciągle ulepszone i modyfikowane w celu wprowadzania najnowszych osiągnięć nauki i techniki.

W związku z tym pewne części (a także numery kodów i konstrukcja) mogą ulec zmianom bez uprzedzenia.

UWAGA

W związku z prowadzonym przez Hitachi programem badań i rozwoju, specyfikacje te mogą się zmienić w każdej chwili bez uprzedzenia.

Informacja dotycząca poziomu hałasu i wibracji

Mierzone wartości było określone według EN60745 i zadeklarowane zgodnie z ISO 4871.

Zmierzony poziom dźwięku A: 95 dB (A)

Zmierzone ciśnienie akustyczne A: 84 dB (A)

Niepewność KpA: 3 dB (A)

Używaj ochraniacza uszu.

Standardowo, średnia ważona kwadratowa wartości przyspieszenia nie przekracza 2,5 m/s²

ÁLTALÁNOS BIZTONSÁGTECHNIKAI ELŐÍRÁSOK

FIGYELEM!

Olvassa végig az utasításokat

Az alábbi utasítások be nem tartása áramütést, tüzet és súlyos sérülést okozhat.

Az alábbi figyelmeztetésekben szereplő "elektromos szerszámgép" kifejezés az ön - hálózatról üzemeltetett (vezetékes) vagy akkumulátoros (vezeték nélküli) - elektromos szerszámgépére vonatkozik.

ŐRIZZE MEG AZ UTASÍTÁSOKAT

1) A munkahely

- a) A munkahelyet tartsa tisztán, és megfelelően világítsa meg.**
A túlzásfűtő és sötét munkahelyek vonzzák a baleseteket.
- b) Az elektromos szerszámgépeket ne használja robbanásveszélyes légterben, például gyúlékony folyadékok, gázok vagy por mellett.**
Az elektromos szerszámgépek szikrákat bocsáthatnak ki, melyek berobbanhatnak a jelenlévő port.
- c) A szerszámgép működtetése közben tartsa távol a gyermekeket és a körülállókat.**
A figyelemelvonás a szerszámgép feletti kontroll elvesztését okozhatja.

2) Érintésvédelem

- a) Az elektromos szerszámgép dugaszának illeszkednie kell a hálózati csatlakozóaljzatba. Semmilyen körülmények között ne módosítsa a dugaszt.**
Ne használjon semmilyen átalakító dugaszt a földelt elektromos szerszámgéppel.
A módosítás nélküli dugaszok és a megfelelő aljzatok csökkentik az elektromos áramütés veszélyét.
- b) Ügyeljen arra, hogy munka közben ne érintsen meg földelt felületeket, pl. csővezetékeket, fűtőtesteket, tűzhelyeket vagy hűtőberendezéseket.**
Ha a kezelő teste földelve van, az áramütés veszélye megnő.
- c) Az elektromos szerszámgépeket ne tegye ki eső vagy nedvesség hatásának.**
Az elektromos szerszámgépbe kerülő víz növeli az áramütés veszélyét.
- d) Ne rongálja meg az elektromos csatlakozókábelet. A szerszámgépet ne hordozza a kábelnél fogva, és a villásdugót soha ne a kábelnél fogva húzza ki a dugaszolóaljzatból.**
Védje a kábelt a magas hőmérsékletől, olajtól és az éles sarkoktól.
A sérült vagy összegabalyodott vezetékek növelik az elektromos áramütés veszélyét.
- e) Ha a szabadban kell munkát végeznie, mindig csak az erre a célra alkalmas hosszabbító kábelt használjon.**
A kültéri használatra alkalmas hosszabbító használata csökkenti az elektromos áramütés veszélyét.

3) A testi épség védelme

- a) Mindig figyeljen oda a végzett munkára. Az elektromos szerszámgéppel végzett munka teljes figyelmet igényel.**

Ne használja a készüléket, ha nem érzi kipihentnek magát, ha kábítószert, alkoholt vagy gyógyszert hatása alatt áll.

Egy pillanatnyi figyelmetlenség is súlyos sérülést okozhat.

- b) Használjon védőfelszerelést. Mindig használjon védőszemüveget.**
A védőfelszerelések, pl. a pormaszk, a csúszásbiztos biztonsági cipő, a védősisak és a füldugó használata csökkenti a sérülésveszélyt.
- c) Kerülje a gép véletlenszerű beindítását. Mielőtt a csatlakozó dugót a dugaszolóaljzatba bedugja, mindig győződjék meg róla, hogy a készülék ki van kapcsolva.**
Ne tartsa ujját az indító kapcsolón, ha hordozza a készüléket, és ne csatlakoztatson bekapcsolt készüléket az áramforrásra.
- d) Mielőtt a gépet bekapcsolja, mindig ellenőrizze, hogy kivette-e a készülékből a szerszámbeállító- illetve befogókulcsot.**
A forgó alkatrészben maradt szerszámbeállító- vagy befogókulcs személyi sérülést okozhat.
- e) Ne nyújtsa ki a kezét túl nagy távolságra. Munka közben mindig álljon stabilan, és őrizze meg az egyensúlyát.**
Így a váratlan helyzetekben sem veszti el a szerszám feletti uralmát.
- f) Viseljen megfelelő munkaruhát. Munka közben ne viseljen bő öltözetet vagy ékszert. Haját, ruházatát és kesztyűjét tartsa távol a mozgó alkatrészekről.**
A bő öltözeteket, ékszerket vagy a hosszú haját a mozgó alkatrészek elkapathatják.
- g) Ha a készülék rendelkezik porszívási, illetve -gyűjtési lehetőséggel, ügyeljen rá, hogy azok megfelelően legyenek csatlakoztatva és használva.**
A fenti eszközök használata csökkenti a por okozta veszélyt.

4) Az elektromos szerszámgép használata és karbantartása

- a) Ne erőltesse a szerszámot. Mindig az alkalmazásnak megfelelő szerszámot használjon.**
A megfelelő szerszámgép nominális teljesítményszinten jobban és biztonságosabban működik.
- b) Ne használja a szerszámot, ha a kapcsoló azt nem kapcsolja megfelelően be, illetve ki.**
A kapcsolóval nem szabályozható szerszámgép veszélyes, és azt meg kell javítani.
- c) Mindig húzza ki a dugaszoló aljzatból a csatlakozó dugót, mielőtt a készüléken beállításokat végezne, kicserélné a tartozékokat, vagy mielőtt eltárolná a készüléket.**
A fenti biztonsági óvintézkedések csökkentik a készülék véletlenszerű bekapcsolásának veszélyét.
- d) A használaton kívüli szerszámokat tárolja gyermekek által nem hozzáférhető helyen, és ne engedje, hogy a készüléket az üzemeltetéshez nem értő személyek használják.**
A gyakorlatlan használó kezében a szerszámgépek különösen nagy veszélyt jelentenek.
- e) A szerszámgépek karbantartása. Ellenőrizze a mozgó alkatrészek illesztését, rögzítését, az alkatrészek esetleges repedését és minden olyan**

tulajdonságot, mely hatással lehet a munkavégzésre.

Meghibásodás esetén használat előtt javítsa meg a készüléket.

A nem megfelelő karbantartás sok balesetet okoz.

f) A vágószerszámokat mindig tartsa élesen és tisztán.

A megfelelően karbantartott - éles vágóélű-vágószerszámok kisebb eséllyel görbülnek el, és könnyebben irányíthatók.

g) Használja a szerszámgépet és a fúrófejeket stb. az utasításoknak és az adott szerszámgép rendeltetésének megfelelően, mindig figyelembe véve a munkakörülményeket és az elvégzendő munka jellegét.

A szerszámgép rendeltetéstől eltérő használata veszélyt okozhat.

5) Javítás

a) A szerszámot csak - eredeti cserealkatrészeket használó - szakképzett személyvel javíttassa. Így biztosítható a szerszámgép biztonságos üzemeltetése.

ÖVINTÉZKEDÉS

A gyermekeket és a felügyeletre szoruló személyeket tartsa távol az elektromos szerszámgéptől.

A használaton kívüli szerszámgépeket gyermekektől és felügyeletre szoruló személyektől elzárva kell tartani.

MŰSZAKI ADATOK

| | | | |
|--------------------------------|-----------------------------|----------------------------|-------------|
| Modell | | G12SE2 | G13SE2 |
| Feszültség (terület szerint)* | | (110V, 120V, 230V, 240V) ∪ | |
| Névleges teljesítményfelvétel* | | 1200 W | |
| Üresjáratú fordulatszám* | | 11000 min ⁻¹ | |
| Tárcsa | Külső átmérő × Furat átmérő | 115 × 22 mm | 125 × 22 mm |
| | Kerületi sebesség | 80 m/s | |
| Súly (Csak maga a készülék) | | 1,9 kg | |

*Ne felejtse el ellenőrizni a típus táblán feltüntetett adatokat, mivel ezek eladási területenként változnak!

MŰSZAKI ADATOK

- (1) Sülyesztett közepű tárcsa 1
 - (2) Csavarkulcs 1
 - (3) Oldalfogantyú 1
- A standard tartozékok előzetes tájékoztatás nélkül változhatnak.

ALKALMAZÁSOK

- Különböző acél-, bronz-, és alumínium anyagok valamint öntvények öntési sorjájának eltávolítása, illetve az ilyen anyagok felületi megmunkálása.
- Hegesztett, vagy lángvágással vágott profilok köszörülése.
- Műgyanták, pala, téglá, márvány, stb. csiszolása.
- Szintetikus beton, kő, téglá, márvány, és hasonló anyagok vágása.

A TÁRCSA KÉZIKÖSZÖRŰ HASZNÁLATÁRA VONATKOZÓ ÖVINTÉZKEDÉSEK

1. Tárcsavédők nélkül soha ne működtesse ezeket a késziszerszámokat.
2. Ellenőrizze, hogy a köszörűkorongon feltüntetett sebesség-érték megegyezzen a köszörű névleges fordulatszám értékével, vagy attól magasabb legyen. Kizárólag 80 m/s, vagy attól magasabb névleges sebességű, sülyesztett közepű korongokat használjon.
3. Ügyeljen rá, hogy a tárcsa méretei megfeleljenek a köszörűhöz, és hogy a tárcsa megfelelően illeszkedjen a tengelyre.
4. A köszörűtárcsákat a gyártó útmutatásának megfelelő körülményekkel kell kezelni illetve tárolni.
5. Használat előtt vizsgálja meg a sülyesztett közepű tárcsát, és soha ne használjon csorba, repedt, vagy más módon sérült tartozékokat.
6. Mindig tartsa szilárdan a késziszerszám markolatát és oldalfogantyúját. Ellenkező esetben a kifejtett ellenerő pontatlan munkavégzést, vagy balesetveszélyt okozhat.
7. Oldalköszörüléshez ne használjon vágótárcsát.
8. Soha ne használjon külön szűkítő betéteket illetve adaptereket a nagyobb furatú köszörűtárcsák felszereléséhez.
9. A tárcsa a késziszerszám kikapcsolása után még tovább forog.

AZ ÜZEMBEHELYEZÉS ELŐTTI TENNIVALÓK

1. **Áramforrás**
Ügyeljen rá, hogy a készülék adattábláján feltüntetett feszültség értéke megegyezzen az alkalmazni kívánt hálózati feszültséggel.
2. **Hálózati kapcsolat**
Ügyeljen rá, hogy a hálózati kapcsoló KI állásba legyen kapcsolva. Ha a csatlakozódugót úgy csatlakoztatja a dugaszolóaljzatba, hogy közben a hálózati kapcsoló BE állásban van, a késziszerszám azonnal működésbe lép, ami súlyos balesetet idézhet elő.
3. **Hosszabbító vezeték**
Ha a munkaterület az áramforrástól távol található, akkor egy megfelelő keresztmetszetű és teljesítményű hosszabbító vezetékét kell alkalmazni. A hosszabbító vezetéknek a lehető legrövidebbnek kell lennie.
4. **A tárcsavédő felszerelése és beállítása**
A tárcsavédő egy védőeszköz, amely megakadályozza a személyi sérüléseket abban az esetben, ha üzemelés

közben a süüllesztett közepű tárcsa esetleg szétrobban. A csiszolási művelet elkezdése előtt ellenőrizze, hogy a tárcsavédő megfelelően fel legyen szerelve és rögzítve legyen.

[A tárcsavédő felszerelése és beállítása](2. Ábra)

- Állítsa a tárcsaszerkezetet a tömítőperselyre.
- Húzza meg az M5-ös csavart a tárcsavédő rögzítéséhez, miközben a kar zárt helyzetben van.
- A tárcsarögzítő beállítását a kar fellazított állapotában végezze el (Lazítsa fel az M5-ös csavart, és állítson rajta, ha a tárcsavédő nem fordul el simán).
- Amennyiben a beállítás után csiszolási műveletet kell elvégezni, azt kizárólag a kar zárt helyzete mellett végezze el.
- Kenje meg a rögzítőelem (B) csúsó részét és a kart, ha a kar nem mozdul el simán.

5. Ügyeljen rá, hogy a tárcsák és rögzítőelemek a gyártó utasításainak megfelelően legyenek a helyükre szerelve. Ellenőrizze, hogy az alkalmazott süüllesztett közepű tárcsa megfelelő típusú legyen, és ne tartalmazzon repedéseket illetve felületi hibákat. Ugyancsak ellenőrizze, hogy a süüllesztett közepű tárcsa megfelelő módon legyen felszerelve, és a tárcsarögzítő anyja megfelelően meg legyen húzva. Lásd a „Süüllesztett közepű tárcsaegység” című fejezetet. Ügyeljen rá, hogy a kötőanyaggal készített köszőrűfejhez esetleg mellékelt felitató anyag szükség szerint alkalmazva legyen.

Ne használjon külön szűkítő betéteket illetve adaptereket a nagyobb furatú köszőrűtárcsák felszereléséhez. A menetes furatú tárcsákat alkalmazó készzerszámoknál ügyeljen arra, hogy a tárcsában levő menet elég hosszú legyen a tengely hosszának megfelelően.

6. **Próbaköszőrülés végrehajtása**
Használat előtt ellenőrizze, hogy a köszőrűfej megfelelően fel van-e szerelve és rögzítve, majd a biztonságos helyzetben tartott készzerszámot terhelés nélkül futtassa 30 másodpercig. Azonnal állítsa le a készzerszámot, ha nagymértékű vibrációt, vagy más rendellenességet tapasztal.

Ilyen esetben ellenőrizze le a gépet annak kiderítéséhez, hogy mi okozta a rendellenességet.

7. A nyomógomb működésének ellenőrzése

A készzerszám bekapcsolása előtt a nyomógomb kétszer-háromszor történő megnyomásával ellenőrizze, hogy a nyomógomb szabadon kikapcsol-e (lásd 1. Ábra).

8. Az oldalfogantyú felszerelése

Csavarja az oldalfogantyút a hajtóműház fedelébe.

A KÉZIKÖSZÖRŰ GYAKORLATI KEZELÉSE

1. Nyomás

A gép élettartamának meghosszabbítása, valamint a minőségi munkavégzés érdekében fontos, hogy a gép ne legyen túlterhelve a túlságosan erős nyomás kifejtése miatt. A legtöbb esetben a gép saját súlya elegendő a hatékony köszőrülés eléréséhez. A túl nagy nyomás kifejtése csökkent fordulatszámot, rosszabb minőségű felületet, és a gép élettartamának csökkenéséhez vezetett túlterhelést okoz.

2. Köszőrülési szög

A süüllesztett közepű köszőrűtárcsának ne fektesse fel a teljes felületét a köszőrülendő munkadarabhoz. Amint

az az **3. Ábrán** látható, a gépet 15° – 30° szögben kell tartani úgy, hogy a süüllesztett közepű tárcsa külső éle optimális szögben érintkezzen a munkadarabbal.

3. Annak megakadályozására, nehogy egy új süüllesztett közepű tárcsa bemarja a munkadarabot, a köszőrülést kezdetben úgy kell végezni, hogy a köszőrűt a munkadarabon keresztben a gép kezelője felé kell húzni (**3. Ábra, B irány**). Ha a süüllesztett közepű tárcsa éle megfelelő mértékben lekopott, a köszőrülést bármelyik irányban lehet végezni.

4. A kapcsoló működtetése

[Ha a kapcsoló reteszelt mechanizmussal rendelkezik]

BE kapcsolás: A bekapcsoláshoz csúsztassa el a reteszelt kart az **(A)** irányba, és nyomja a lapátkart a **(B)** irányba, amint az a **4-a Ábrán** látható. Ezen kívül csúsztassa a reteszelt kart a **4-b Ábrán** látható **(C)** irányba, miközben nyomja meg a lapátkart, hogy reteszeldődjön és lehetővé tegye a folyamatos üzemelet.

KI kapcsolás: A reteszelt mód felengedéséhez nyomja a lapátkart a **4-a Ábrán** látható **(B)** irányba, és engedje el a lapátkart a kikapcsoláshoz.

[Ha a kapcsoló nem rendelkezik reteszelt mechanizmussal]

A bekapcsoláshoz csúsztassa el a reteszelt kart az **(A)** irányba, és nyomja a lapátkart a **(B)** irányba, a **4-a Ábrán** látható módon. A kikapcsoláshoz engedje fel a lapátkart.

MEGJEGYZÉS

A lapátkart nem reteszelt.

5. A közvetlenül a felületi megmunkálás után betartandó óvintézkedések

A tárcsa a készzerszám kikapcsolása után még tovább forog.

Kikapcsolás után ne tegye le a gépet mindaddig, amíg a süüllesztett közepű tárcsa teljesen le nem állt. A súlyos balesetek veszélyének az elkerülése mellett ilyen módon csökken a munkahelyen a por mértéke, és a gép által beszívott reszelékek mennyisége.

ÓVINTÉZKEDÉSEK

- Ellenőrizze, hogy a munkadarab megfelelően alá legyen támasztva.
- Ügyeljen rá, hogy poros helyen történő munkavégzés esetén szabadon maradjanak a szellőztető nyílások. Amennyiben a felgyülemlt port el kell távolítani, először húzza ki a gép csatlakozódugóját a hálózati dugaszolóaljzatból (használgjon valamilyen nem fémből készült tárgyat), és ügyeljen rá, nehogy megsérüljenek a gép belső alkatrészei.
- Ügyeljen rá, hogy a használat során keletkező szikrák ne idézzenek elő veszélyes helyzetet (pl. ne repüljenek emberek közé, illetve ne gyújtsanak be valamilyen gyúlékony anyagot).
- Mindig viseljen védőszemüveget és hallásvédelmi eszközt, és szükség szerint használjon egyéb védőfelszerelést, pl. kesztyűt, kötényt, illetve védősisakot.
- Mindig viseljen valamilyen szem- illetve fülvédő eszközt. Szükség esetén más személyi munkavédelmi eszközöket, pl. porvédő álarcot, kesztyűt, védősisakot, valamint kötényt is viselni kell. Ha nem biztos benne, hogy egy adott védőfelszerelésre szükség van-e, a biztonság kedvéért mégis használja azt.
- Ha a gépet nem használják, a csatlakozódugót ki kell húzni a hálózati dugaszolóaljzatból.

A SÜLLYESZTETT KÖZEPŰ TÁRCSA ÖSSZESZERELÉSE ÉS SZÉTSZERELÉSE (1. Ábra)

FIGYELEM

A súlyos sérülések elkerülése érdekében ügyeljen rá, hogy a gép KI legyen kapcsolva, és a csatlakozódugó ki legyen húzva a hálózati dugaszolóaljzatból.

1. Összeszerelés (1. Ábra)

- (1) Fordítsa a kézi köszörűgépet a hátoldalára, hogy a tengely felfelé nézzen.
- (2) Állítsa a tárcsa alátétének lapos részét a tengely bevágott részéhez, és illessze össze őket.
- (3) Illessze a süllyesztett közepű tárcsa kidudorodását a tárcsa alátétére.
- (4) Csatolja a tengelyre a tárcsarögzítő anyát.
- (5) A nyomógomb egyik kézzel történő megnyomása mellett reteszelve helyére a tárcsát úgy, hogy közben a másik kezével lassan elforgatja a süllyesztett közepű tárcsát. A mellékelt csavarkulccsal a **1. Ábrán** látható módon húzza meg a tárcsarögzítő anyát.

2. Szétszerelés

Kövesse a fenti eljárást, fordított sorrendben.

FIGYELMEZTETÉSEK

- Ellenőrizze, hogy a süllyesztett közepű tárcsa szilárdan a helyére legyen szerelve.
- A kéziszerszám bekapcsolása előtt a nyomógomb kétszer-háromszor történő megnyomásával ellenőrizze, hogy a nyomógomb szabadon kikapcsol-e.

ELLENŐRZÉS ÉS KARBANTARTÁS

1. A süllyesztett közepű tárcsa ellenőrzése

Ellenőrizze, hogy a süllyesztett közepű tárcsán ne legyenek repedések vagy egyéb felületi sérülések.

2. A rögzítő csavarok ellenőrzése

Rendszeresen ellenőrizzen minden rögzítő csavart, és ügyeljen rá, hogy azok megfelelően meg legyenek szorítva. Minden meglazult csavart azonnal szorítson meg. Ennek elhanyagolása súlyos veszélyeket hordoz magában.

3. A szénkefék ellenőrzése (5. ábra)

A motorba szénkefék vannak beépítve, melyek elhasználódnak. A kopási határ közeléig elhasználódott szénkefék motorhibákat okozhatnak. Ha a motor automatikus leállítással szénkefékkel van szerelve, akkor automatikusan leáll. Ilyenkor mindkét szénkefét újra kell cserélni, amelyek számjelzése megegyezik az ábrán látható számokkal. Ezen kívül a szénkefét tartsa mindig tisztán és ügyeljen rá, hogy azok szabadon csúszhassanak a szénkefetartóban.

4. A szénkefék cseréje (6. Ábra)

(Szétszerelés)

- (1) Lazítsa meg a hátsó fedelet tartó D4-es rögzítőcsavart, és vegye le a hátsó fedelet.
- (2) A kiegészítő hatlapfejű csavarkulcs, vagy egy kisméretű csavarhúzó segítségével húzza felfelé a szénkefét leszorító rúgó szélét. Távolítsa el a rúgó szélét a szénkefetartó külseje felé.
- (3) Távolítsa el a szénkefén levő vezeték végét a szénkefetartó elektromos csatlakozójából, majd emelje ki a szénkefét a szénkefetartóból.

(Összeszerelés)

- (1) Dugja be a szénkefén levő vezeték végét a szénkefetartó elektromos csatlakozójába.
- (2) Illessze a szénkefét a szénkefetartóba.

- (3) A kiegészítő hatlapfejű csavarkulcs, vagy egy kisméretű csavarhúzó segítségével illessze vissza a rúgó szélét a szénkefe fejrészébe.
- (4) Szerelje vissza a hátsó fedelet, és húzza meg a D4-es rögzítőcsavart.

5. A motor karbantartása

A motor tekerccselése az elektromos szerszám „szíve”. Gondosan ügyeljen rá, hogy a tekerccselés ne sérüljön, illetve ne kerüljön kapcsolatba olajjal vagy vízzel.

6. Szervizelési alkatrészlista

- A: Alkatrész-szám
- B: Kódszám
- C: Használt darabszám
- D: Megjegyzések

FIGYELEM

A Hitachi kéziszerszámok javítását, módosítását, illetve ellenőrzését kizárólag Hitachi szakszervizben szabad elvégezteni.

Ez az alkatrészlista a szerszám javításra vagy egyéb karbantartásra egy Hitachi szakszervizbe történő bevitelre jelent segítséget.

A kéziszerszámok üzemeltetése és karbantartása során be kell tartani az adott országban érvényes biztonsági előírásokat és szabványokat.

MÓDOSÍTÁSOK

A Hitachi kéziszerszámok állandó tökéletesítéseken mennek át, hogy alkalmazni tudják a legújabb műszaki fejlesztések eredményeit.

Éppen ezért egyes alkatrészek (azok kódszámai illetve kiviteli módjai) előzetes bejelentés nélkül megváltozhatnak.

MEGJEGYZÉS

A HITACHI folyamatos kutatási és fejlesztési programja következtében az itt szereplő műszaki adatok előzetes bejelentés nélkül változhatnak.

A környezeti zajra és vibrációra vonatkozó információk

A mért értékek az EN60745 szabványnak megfelelően kerültek meghatározásra és az ISO 4871 alapján kerülnek közzétételre.

Mért A-súlyozású hangteljesítményszint: 95 dB (A)

Mért A-súlyozású hangnyomásszint: 84 dB (A)

Bizonytalanság KpA: 3 dB (A)

Viseljen hallásvédelmi eszközt.

A gyorsulás tipikus súlyozott négyzetes középértéke nem haladja meg a 2,5m/s² értéket.

VŠEOBECNÉ BEZPEČNOSTNÍ PŘEDPISY

UPOZORNĚNÍ!

Prostudujte si všechny pokyny

Nedodržování všech níže uvedených pokynů může způsobit úraz elektrickým proudem, vznik požáru a/nebo vážné zranění. Pojem "elektrické nářadí" ve všech níže uvedených upozorněních se vztahuje na elektricky poháněné nářadí připojené (pomocí přívodní šňůry) k elektrické síti nebo na elektrické (bezšňůrové) nářadí poháněné akumulátorem.

DODRŽUJTE TYTO POKYNY

1) Pracovní prostor

- Udržujte pracovní prostor v čistotě a zajistěte jeho dobré osvětlení.**
Neuspořádaný pracovní prostor a neosvětlené plochy mohou být příčinou nehod.
- Neprovozujte elektrické nářadí ve výbušných prostředích, jako je například prostor s výskytem hořlavých kapalin, plynů nebo prachu.**
Při provozu elektrického nářadí vznikají jiskry, které mohou vznítit prach nebo výpar.
- Zajistěte, aby se při provozu elektrického nářadí nezdržovaly v blízkosti dětí nebo okolostojící osoby.**
Odvedení pozornosti může způsobit ztrátu kontroly nad nářadím.

2) Elektrická bezpečnost

- Zástrčky elektrického nářadí musí odpovídat používané zásuvce.**
Nikdy jakýmkoli způsobem neupravujte zástrčku. Nepoužívejte jakékoli rozvodné zástrčky s uzemněným (ukostřeným) elektrickým nářadím. Přívodní neupravené zástrčky a vhodné zásuvky snižují nebezpečí úrazu elektrickým proudem.
- Vyvarujte se kontaktu s uzemněnými nebo ukostřenými plochami, jako jsou např. trubky, radiátory, sporáky a chladničky.**
Vzniká zvýšené nebezpečí úrazu elektrickým proudem, pokud je Vaše tělo uzemněné nebo ukostřené.
- Nevystavujte elektrické nářadí dešti nebo mokřým podmínkám.**
Voda, která vnikne do elektrického nářadí, zvyšuje nebezpečí úrazu elektrickým proudem.
- Nezacházejte s přívodní šňůrou nevhodným způsobem. Nikdy nepoužívejte přívodní šňůru pro nošení, tahání nebo vypořádání elektrického nářadí.**
Zajistěte, aby se přívodní šňůra nedostala do kontaktu se zdroji tepla, olejem, ostrými hranami nebo pohybujícími se částmi. Poškozené nebo zauzlené přívodní šňůry zvyšují nebezpečí úrazu elektrickým proudem.
- Při práci s elektrickým nářadím ve vnějších prostorech používejte prodlužovací šňůru vhodnou pro venkovní použití.**
Použití přívodní šňůry vhodné pro venkovní prostředí snižuje nebezpečí úrazu elektrickým proudem.

3) Bezpečnost osob

- Buďte při práci vždy pozorní, sledujte prováděnou práci a během práce s elektrickým nářadím postupujte rozumně.**
Nepoužívejte elektrické nářadí v případě únavy nebo pod vlivem drog, alkoholu nebo léků.

Pouhý okamžik nepozornosti při práci s elektrickým nářadím může způsobit vážné zranění.

- Používejte ochranné pomůcky. Vždy používejte ochranu zraku.**
Ochranné pomůcky, jako jsou protiprachová maska, obuv s neklouzavou úpravou podrážky, ochranná přilba nebo chrániče sluchu použité pro vhodné podmínky sniží nebezpečí zranění.
- Zajistěte, aby nedošlo k náhodnému spuštění nářadí. Zabezpečte, aby vypínač byl před zapojením do sítě v poloze vypnuto.**
Nošení elektrického nářadí s prstem na vypínači a připojování elektrického nářadí s vypínačem v poloze zapnuto může způsobit nehody.
- Před zapnutím elektrického nářadí vymontujte všechny seřizovací klíče.**
Klíč upevněný na otáčející se části elektrického nářadí může způsobit zranění osob.
- Zajistěte náležitou stabilitu při práci. Během práce je třeba vždy zaujmout náležitý a stabilní postoj.**
Tim se dosáhne lepšího ovládnutí elektrického nářadí v neočekávaných situacích.
- Při práci používejte vhodný oděv. Nepoužívejte volný oděv nebo šperky. Zajistěte, aby se Vaše vlasy, oděv nebo rukavice nedostaly do kontaktu s pohybujícími se částmi nářadí.**
Volný oděv, šperky nebo dlouhé vlasy se mohou zachytit do pohybujících se částí.
- Pokud se používají zařízení pro připojení odsávání prachu a sběrných zařízení, zajistěte jejich správné zapojení a použití.**
Používejte tato zařízení pro snížení nebezpečí, která vznikají v prашném prostředí.
- Použití a ošetřování elektrického nářadí**
 - Netlačte na elektrické nářadí. Pro Váš způsob použití zvolte správné elektrické nářadí.**
Správné elektrické nářadí provede práci lépe a bezpečněji rychlostí, pro které bylo konstruováno.
 - Nepoužívejte elektrické nářadí, pokud vypínač není funkční.**
Jakékoli elektrické nářadí, které nelze ovládat vypínačem, je nebezpečné a je třeba je opravit.
 - Při provádění jakýchkoli nastavení, změně příslušenství nebo uskládování elektrického nářadí odpojte vždy zástrčku ze zdroje energie.**
Tato preventivní bezpečnostní opatření snižují nebezpečí náhodného uvedení elektrického nářadí do chodu.
 - Uložte nepoužívané elektrické nářadí mimo dosah dětí a nedovoľte, aby osoby, které nejsou seznámeny s provozem elektrického nářadí a s těmito pokyny, toto elektrické nářadí používaly.**
Elektrické nářadí je v rukou nevyškoleného uživatele nebezpečné.
 - Provádějte údržbu elektrického nářadí. Zkontrolujte elektrické nářadí, zda je správně seřizené nebo nedochází k vážnutí chodu pohybujících se částí, zda nejsou nějaké části poškozené a zda nevznikly jakékoli jiné poruchy, které mohou negativně ovlivnit provoz elektrického nářadí.**
V případě poškození si nechejte elektrické nářadí před použitím opravit. Velký počet nehod je způsobeno nedostatečnou údržbou elektrického nářadí.

- f) **Udržujte řezné nástroje ostré a čisté.**
Správným způsobem udržované řezné nástroje s ostrými břity mají menší sklon k uváznutí a snadněji se při práci ovládají.
- g) **Používejte elektrické nářadí, příslušenství, nástavce nástroje atd. ve shodě s těmito předpisy a způsobem stanoveným pro jednotlivý typ elektrického nářadí a přitom zohledněte pracovní podmínky a druh prováděné práce.**
Použití elektrického nářadí pro práce odlišné od stanoveného účelu použití může způsobit nebezpečné situace.

5) Servis

- a) **Nechejte si provádět servis Vašeho elektrického nářadí kvalifikovanými opraváři a přitom používejte jen originální náhradní díly.**
Tím se zajistí zachování bezpečnosti elektrického nářadí.

PREVENTIVNÍ OPATŘENÍ

Zajistěte, aby děti a nemocné osoby se nezdržovaly v blízkosti.

Pokud se nářadí nepoužívá, je třeba je uskladnit mimo dosah dětí a nemocných osob.

PARAMETRY

| Model | G12SE2 | G13SE2 |
|-------------------------|-------------------------------|-------------|
| Napětí (podle oblasti)* | (110V, 120V, 230V, 240V) ~ | |
| Vstupní příkon* | 1200 W | |
| Rychlost bez zatížení* | 11000 min ⁻¹ | |
| Kotouč | Vnější průměr × průměr otvoru | 115 × 22 mm |
| | Obvodová rychlost | 80 m/s |
| Váha (Pouze bruska) | 1,9 kg | |

*Zkontrolujte, prosíme, štítek na výrobku. Štítek podléhá změnám v závislosti na oblastech použití.

STANDARDNÍ PŘÍSLUŠENSTVÍ

- (1) Brusný kotouč 1
 (2) Klíč 1
 (3) Vysouvací držadlo 1
 Standardní příslušenství podléhá změnám bez upozornění.

POUŽITÍ

- Odstranění nerovností na odlitcích a povrchová úprava různých ocelových, bronzových a hliníkových materiálů a odlitků.
- Broušení svařenců nebo povrchů po řezání plamenem.
- Broušení syntetických pryskyřic, břidlice, cihel, mramoru apod.
- Řezání syntetického betonu, kamene, cihel, mramoru a podobných materiálů.

PŘED POUŽITÍM

1. Zdroj elektřiny

Ujistěte se, že elektrický zdroj odpovídá požadavkům uvedeným na štítku výrobku.

UPOZORNĚNÍ PRO POUŽÍVÁNÍ KOTOUČOVÉ BRUSKY

1. Nikdy nepoužívejte tyto elektrické nástroje bez chráničů kotouče.
2. Zkontrolujte, zda maximální počet otáček na kotouči je stejný nebo vyšší než je počet otáček brusky. Používejte pouze brusného kotouče při rychlostech 80 m/s, nebo vyšších.
3. Přesvědčte se, že rozměry kotouče odpovídají brusce, a že kotouč odpovídá rozměru hřídele.
4. Brusné kotouče musí být uskladněny a manipulovány opatrně podle pokynů výrobce.
5. Před použitím zkontrolujte brusný kotouč. Nepoužívejte poškozené, prasklé nebo defektní kotouče.
6. Vždy pevně držte hlavní a boční držadla nástroje. V opačném případě může reakční síla způsobit nepřesnosti nebo dokonce nebezpečí při práci.
7. Nepoužívejte řezací kotouče pro broušení.
8. Nepoužívejte zvláštní vložky nebo redukce pro upnutí kotoučů s většími otvory.
9. Kotouč se nadále otáčí i po vypnutí nástroje.

2. Spínač

Ujistěte se, že spínač je v poloze VYPNUTO (OFF). Pokud je zařízení připojeno ke zdroji elektrického proudu a spínač je v poloze ZAPNUTO (ON), nástroj začne okamžitě pracovat a to může vést k vážnému úrazu.

3. Prodlužovací šňůra

Pokud je pracoviště vzdáleno od zdroje elektrického proudu, použijte prodlužovací šňůru o dostatečné tloušťce a kapacitě. Dbejte na to, aby prodlužovací šňůra byla co nejkratší.

4. Montáž a nastavení krytů kotouče

Kryt kotouče je ochranné zařízení k zabránění úrazu, dojde-li k roztržení brusného kotouče. Před započetím broušení zajistěte, aby byl kryt kotouče správně namontován a připevněn.

[Jak namontovat a nastavit kryt kotouče](Obr. 2)

- Umístěte sestavu kotouče na obal.
- Utáhněte šroub M5, abyste zajistili kryt kotouče, zatímco páčka je v uzamčené poloze.
- Nastavte kryt kotouče při uvolněné páčce. (Uvolněte M5 šroub a znovu nastavte, pokud se kryt kotouče volně neotáčí.)
- Po nastavení je možno spustit brusku – je-li to nutné – pouze po nastavení páčky do uzamčené polohy.

- Namažte posuvnou část nastavitelného kusu (B), pokud se páčka volně nepohybuje.
- 5. Ujistěte se, že nainstalované kotouče a hroty jsou nastaveny v souladu s instrukcemi výrobce. Ujistěte se, že středově vtačený kotouč je správného typu a je bez trhlin nebo povrchových vad. Také se ujistěte, že brusný kotouč je správně nainstalován, a že matka kotouče je utažena - viz kapitola „Sestava středově vtačeného kotouče“.
- Ujistěte se, že jsou použity podložky u výrobků s nalepeným brusivem a kdykoliv je to požadováno. Nepoužívejte zvláštní vložky nebo redukce pro upnutí kotoučů s většími otvory.
- U nástrojů, které vyžadují kotouče se závitem, se ujistěte, že délka závitů v kotouči odpovídá délce závitů na hřídeli. Nepoužívejte řezací kotouče pro broušení.
- 6. **Pokusné broušení**
Ujistěte se, že brusný nástroj je před použitím správně nainstalován a utažen. Zapněte brusku a nechte ji volně běžet v bezpečné poloze po dobu 30ti vteřin. Pokud cítíte silné vibrace nebo zjistíte další závady, okamžitě brusku zastavte.
Pokud tato situace nastane, zjistěte příčinu.
- 7. **Potvrzení funkce tlačítka**
Ujistěte se, že tlačítko je vypnuto tak, že jej dvakrát nebo třikrát stlačíte před tím, než brusku vypnete - viz **Obr. 1**.
- 8. **Přípevnění bočního držadla**
Přišroubujte boční držadlo ke krytu převodovky.

PRAKTICKÉ POUŽITÍ BRUSKY

1. Tlak

Zařízení nesmí být přetíženo přílišným tlakem, aby se prodloužila jeho životnost a zaručila vysoká kvalita broušení. Pro efektivní broušení postačí ve většině případů tlak vyvozený vlastní vahou zařízení. Příliš vysoký tlak vede ke snížení otáček, podřadné kvalitě povrchu a přetížení, které snižuje životnost zařízení.

2. Brusný úhel

Neaplikujte celý povrch brusného kotouče na broušený materiál. Bruska má svírat úhel s povrchem 15 – 30 stupňů tak, aby vnější okraj brusného kotouče byl v kontaktu s materiálem pod optimálním úhlem - **Obr. 3**.

3. Aby se zabránilo zařezávání nového brusného kotouče do materiálu, je třeba provést počáteční broušení pohybem brusky přes broušený kus směrem k obsluze - **Obr. 3, směr B**. Jakmile je brusný okraj kotouče správně opotřeben, lze brusit v obou směrech.

4. Obsluha spínače

[Pokud má spínač uzamykací mechanismus]

ZAPNOUT: Pro zapnutí posuňte uzávěr páčky ve směru (A) a stiskněte páčku volby ve směru (B) - viz **Obr. 4-a**.

Navíc posuňte uzávěr páčky ve směru (C) - viz **Obr. 4-b**, zatímco tlačíte na páčku volby, abyste ji uzamkli a umožnili kontinuální funkci.

VYPNOUT: Stiskněte páčku volby ve směru (B) - viz **Obr. 4-a** - abyste uvolnili uzávěr a uvolnili páčku volby.

[Pokud spínač nemá uzamykací mechanismus]

Posuňte uzávěr páčky ve směru (A) a zatlačte na páčku volby ve směru (B) - viz **Obr. 4-a**. Uvolněte páčku volby.

POZNÁMKA

Páčku volby nelze uzamknout.

5. Upozornění na situaci ihned po ukončení brusné operace

Kotouč se nadále otáčí i po vypnutí zařízení. Po vypnutí brusky ji neodkládejte, dokud se brusný kotouč úplně nezastaví. Kromě zamezení vážnému zranění zabrání tento postup tvorbě prachu a jeho nasátí do brusky.

POZOR

- Zajistěte, aby byl materiál správně upnut.
- Zajistěte, aby větrací otvory byly volné, pracujete-li v prašném prostředí.
Pokud musíte očistit prach, odpojte nejprve zařízení od zdroje elektrického proudu (použijte nekovové předměty) a dejte pozor, abyste nepoškodili vnitřní součástky.
- Zajistěte, aby jiskry, které vznikají při použití, nezpůsobovaly riziko jako například kontakt s obsluhou nebo vznícení hořlavých materiálů.
- Vždy používejte ochranné brýle, chrániče sluchu a další osobní ochranné pomůcky jako jsou rukavice, zástěra a přilba - je-li to nutné.
- Vždy chraňte oči a sluch. V případě nutnosti použijte další osobní ochranné pomůcky jako jsou rukavice, zástěra a přilba.
Pokud máte pochybnosti, vždy raději volte ochranné pomůcky.
- Pokud zařízení nepoužíváte, odpojte jej od zdroje elektrického proudu.

MONTÁŽ A DEMONTÁŽ BRUSNÉHO KOTOUČE (Obr. 1)

POZOR

Ujistěte se, že spínač je v poloze VYPNUTO a zařízení je odpojeno od zdroje elektrického proudu, aby se předešlo vážnému úrazu.

1. Montáž (Obr. 1)

- (1) Otočte brusku do opačné polohy tak, aby hřídel směřovala nahoru.
- (2) Vyrovnajte plochou část podložek kotouče se zářezem na hřídeli a nasadte je.
- (3) Umístěte výčnělek na brusného kotouči do podložky kotouče.
- (4) Našroubujte matku kotouče na hřídel.
- (5) Jednou rukou tlačte na tlačítko a druhou rukou uzamkněte hřídel tak, že pomalu brusného kotoučem. Utáhněte matku kotouče přiloženým klíčem - **Obr. 1**.

2. Demontáž

Applikujte postup uvedený v části „Montáž“ v opačném pořadí.

POZOR

- Ujistěte se, že brusný kotouč je pevně nainstalován.
- Ujistěte se, že tlačítko je vypnuto tak, že jej dvakrát nebo třikrát stlačíte před tím, než brusku zapnete.

ÚDRŽBA A KONTROLA

1. Kontrola brusného kotouče

Ujistěte se, že brusný kotouč je bez trhlin a povrchových vad.

2. Kontrola šroubů

Pravidelně zkontrolujte všechny šrouby a ujistěte se, že jsou správně utažené. Pokud najdete některé šrouby uvolněné, ihned je utáhněte. Neutažené šrouby mohou vést k vážnému riziku.

3. Kontrola uhlíkových kartáčků (Obr. 5)

Motor obsahuje uhlíkové kartáčky, které jsou opotřebitelné. Pokud se opotřebí nebo jsou na pokraji „limitu opotřebení“, může dojít k problému s motorem. Pokud je použit automatický uhlíkový kartáček se samozastavením, dojde k automatickému zastavení motoru. Pokud se tak stane, vyměňte oba kartáčky za nové se stejnými čísly, jako je uvedeno na obrázku. Navíc vždycky zajistěte, aby byly kartáčky čisté, a aby se volně pohybovaly v držácích.

4. Výměna uhlíkových kartáčků (Obr. 6)

(<Rozebrání)

- (1) Uvolněte D4 samořezné šroubky, které drží zadní kryt a sejměte jej.
- (2) Použijte přídavný šestihranný klíč nebo malý šroubovák na vytažení okraje pružiny, která tlačí dolů uhlíkový kartáček. Vyjměte okraj pružiny směrem k vnějšímu okraji držáku uhlíkového kartáčku.
- (3) Vyjměte konec kontaktu kartáčku z koncovky držáku a poté vyjměte kartáček z držáku.

(<Sestava)

- (1) Vložte konec kontaktu kartáčku do koncovky držáku.
- (2) Vložte uhlíkový kartáček do držáku kartáčku.
- (3) Použijte přídavný šestihranný klíč nebo malý šroubovák na zasunutí okraje pružiny na konec uhlíkového kartáčku.
- (4) Nasadte zadní kryt a utáhněte samořezné šroubky D4.

5. Údržba motoru

Vinutí motoru je srdce elektrického zařízení. Ujistěte se, že vinutí není poškozené nebo vlhké vodou nebo olejem.

6. Seznam servisních položek

- A: Číslo položky
 B: Kód položky
 C: Číslo použití
 D: Poznámky

POZOR

Oprava, modifikace a inspekce zařízení Hitachi musí být prováděny autorizovaným servisním střediskem Hitachi.

Tento seznam servisních položek bude pomoci, předložíte-li jej s vaším zařízením autorizovanému servisnímu středisku Hitachi společně s požadavkem na opravu nebo další servis.

Při obsluze a údržbě elektrických zařízení musí být dodržovány bezpečnostní předpisy a normy platné v každé zemi, kde je výrobek používán.

MODIFIKACE

Výrobky firmy Hitachi jsou neustále zdokonalovány a modifikovány tak, aby se zavedly nejposlednější výsledky výzkumu a vývoje.

Následně, některé díly (např. čísla kódů nebo návrh) mohou být změněny bez předešlého oznámení.

Informace o hluku a vibracích

Měřené hodnoty byly určeny podle EN60745 a deklarovány ve shodě s ISO 4871.

Změřená vážená hladina akustického výkonu A: 95 dB (A)
 Změřená vážená hladina akustického tlaku A: 84 dB (A)
 Neurčitost KpA: 3 dB (A)

Použijte ochranu sluchu.

Typická vážená odmocnina znamená, že hodnota zrychlení nesmí přestoupit hodnotu 2,5 m/s².

POZNÁMKA

Vlivem stále pokračujícího výzkumného a vývojového programu HITACHI mohou zde uvedené parametry podléhat změnám bez předchozího upozornění.

GENEL GÜVENLİK KURALLARI

DİKKAT!

Bütün talimatları okuyun

Aşağıda belirtilen talimatların tümünün uygulanmaması, elektrik çarpması, yangın ve/veya ciddi yaralanmalara sonuçlanabilir. Aşağıdaki uyarılarda belirtilen "Elektrikli alet" terimi, işletilen (kablolu) veya (kablolu) ana elektrik aletlerini kapsar.

BU TALİMATLARI SAKLAYINIZ

1) Çalışma ortamı

- Çalışma ortamı temiz ve iyi ışıklandırılmış olmalıdır.**
Dağınık ve karanlık ortamlar kazanın davetçisidir.
- Yanıcı sıvıların, gazların veya tozların bulunduğu patlayıcı ortamlarda elektrikli aletlerle çalışmayınız.**
Elektrikli aletler kıvılcım sıçratabilir ve de gaz tozlarını ateşleyebilir.
- Elektrikli alet kullanırken çocuklardan ve seyircilerden uzak tutun.**
Dikkat dağıtıcı şeyler kontrolü kaybetmenize yol açabilir.

2) Elektrik güvenliği

- Elektrikli aletin fişi prize uygun olmalıdır.**
Fişi hiçbir şekilde değiştirmeye çalışmayın.
Elektrikli aletin topraklanmış fişinde herhangi bir adaptör kullanmayın.
Değiştirilmemiş fişler ve onlarla uygun prizler elektrik çarpması riskini azaltır.
- Boru, radyatör, ocak/fırın ve buzdolabı gibi topraklanmış yüzeylerle vücut temasından sakının.**
Vücüdünüzün toprakla temasa geçmesi elektrik çarpması riskini artırır.
- Elektrikli aletleri yağmur ve ıslak ortamlara maruz bırakmayın.**
Elektrikli aletin içersine su girmesi elektrik çarpması riskini artırır.
- Güç kablosuna zarar vermeyin. Elektrikli aleti taşımak, çekmek veya prizden çıkarmak için kabloyu kullanmayın.**
Kabloyu kesici veya hareketli parçalardan, sıcak yüzeylerden ve yağdan uzak tutun.
Hasar görmüş veya dolaşmış kablolar elektrik çarpması riskini artırır.
- Elektrikli aleti açık alanlarda kullanırken, açık alana özel uzatma kablosu kullanın.**
Açık alana özel kablolar elektrik çarpması riskini azaltır.

3) Kişisel güvenlik

- Daima tetikte olun, elektrikli aleti kullanırken ne yaptığınızı farkında ve duyarlı olun.**
Elektrikli aleti alkol, ilaç veya uyuşturucu etkisi altındayken veya yorgunken çalıştırmayın.
Elektrikli aleti kullanırken gösterecek bir saniyelik dikkatsizlik, ciddi yaralanmalara yol açabilir.
- Koruyucu ekipman kullanın. Daima koruyucu gözlük takın.**
Toz maskesi, kaymayan emniyet ayakkabısı, sert başlık veya işleme koruyucusu gibi koşullara uygun olan ve yaralanma riskini azaltıcı koruyucu ekipmanlar kullanın.

- Aletin istem dışı çalışmasına karşın önlem alın. Prize takmadan önce şalter düğmesinin kapalı konumda olduğundan emin olun.**

Elektrikli aleti parmağınız şalter üzerinde olduğu halde taşımak veya prize takmak kazanın davetçisidir.

- Elektrikli aleti çalıştırmadan önce ayar anahtarlarını çıkartın.**

Elektrikli aletin dönen kısmına takılı kalmış olan bir anahtar, yaralanmalara yol açabilir.

- Fazla uzanmayın. Ayaklarınızın konumuna ve dengeye her zaman dikkat edin.**

Böylece beklenmedik bir durumla karşılaştığınızda, elektrikli aleti daha iyi kontrol altında tutmanızı sağlar.

- Uygun çalışma giysisi giyin. Bol giysiler ve takılardan kaçının. Saçınızı, giysilerinizi ve eldiveninizi hareketli parçalardan uzak tutun.**
Bol giysiler, takılar veya uzun saç oynayan parçalara takılabilir.

- Toz toplama bağlantısı için gerekli teçhizat ve bağlantı araçları sağlanmışsa, bunların bağlı olduğundan ve doğru şekilde kullanıldığından emin olun.**

Bu teçhizatların kullanılması tozun yaratacağı tehlikeleri azaltacaktır.

4) Elektrikli aletin kullanımı ve bakımı

- Elektrikli aleti zorlamayın. Yapacağınız işe uygun doğru aleti kullanın.**

Doğru elektrikli aletin kullanılması işinizi hem kolaylaştıracağı gibi hem de tasarlanmış süratte daha güvenli bir şekilde yapmanızı sağlar.

- Eğer elektrikli aletin şalter düğmesi açılıp kapanmıyorsa, aleti kullanmayın.**

Şalter düğmesinden kumanda edilemeyen elektrikli aletler tehlike yaratır ve tamir edilmeleri gerekir.

- Aksesuar değişimlerinde, ayarlamalar sırasında veya elektrikli aleti saklamadan önce elektrik bağlantısını kesin.**

Bu gibi önleyici emniyet tedbirleri elektrikli aletin istem dışı çalışma riskini azaltır.

- Kullanılmayan elektrikli aletleri çocukların ulaşamayacağı yerlerde tutun. Aleti kullanmasını bilmeyen ve bu talimatlara aşina olmayan kişilere kullanırmayın.**

Elektrikli aletler deneyimsiz ve eğitilmemiş kişilerin eline tehlikeli olur.

- Elektrikli aletin bakımını yapın. Hareketli parçaların yapışmamasını, kırık olmamasını, düzenli hizalanmasını veya aletin işletimini etkileyecek herhangi bir durumun olmadığını kontrol edin.**

Çoğu kazaya yetersiz bakımlı elektrikli aletleri neden olur.

- Aletlerinizi keskin ve temiz tutun.**

Düzenli bakımı yapılmış keskin uçlu takımların yapışma ihtimali azdır ve de kontrol edilmeleri daha kolaylaşır.

- Elektrikli aleti, aksesuarları ve uçları vs. bu talimatlar doğrultusunda ve o elektrikli aletin amaçlanan kullanımını için, çalışma koşullarını ve de yapılacak işi göz önüne alarak kullanın.**

Elektrikli aletin amaçlanan kullanımını dışında kullanılması tehlikeli bir durum yaratabilir.

5) Servis

- a) Elektrikli aleti vasıflı bir kişi tarafından sadece özde yedek parçalar kullanarak tamir edilmesini sağlayın. Böylece elektrikli aletin güvenli kullanımı sağlanacaktır.

ÖNLEM

Çocukları ve diğer yeterli güce sahip olmayan kişileri uzak tutun. Kullanılmadığı zamanlarda aleti çocuk ve yeterli güce sahip olmayan kişilerin ulaşamayacağı bir yerde saklayın.

DİSK TAŞLAMA ALETİNİ KULLANIRKEN ALINACAK ÖNLEMLER

1. Bu elektrikli aletleri hiçbir zaman disk muhafazası olmadan kullanmayın.
2. Taşlama diskinin üzerinde belirtilen hızın, taşlama aletinin hızına eşit veya bu hızdan daha büyük olmasına özen gösterin. Yalnızca çalışma hızı 80 m/s olan tek tarafı oyuk taşlama diskleri kullanın.

TEKNİK ÖZELLİKLER

| Model | | G12SE2 | G13SE2 |
|------------------------------|----------------------|----------------------------|-------------|
| Voltaj (bölgelere göre)* | | (110V, 120V, 230V, 240V) ~ | |
| Güç girişi* | | 1200 W | |
| Yüksüz hız* | | 11000 dak ⁻¹ | |
| Taşlama Diski | Dış çap × Delik çapı | 115 × 22 mm | 125 × 22 mm |
| | Dönüş hızı | 80 m/s | |
| Ağırlık (Yalnızca ana gövde) | | 1,9 kg | |

*Bu değer bölgeden bölgeye değişiklik gösterdiği için ürünün üzerindeki plakayı kontrol etmeyi unutmayın.

STANDART AKSESUARLAR

- (1) Ortası oyuk disk 1
 (2) Anahtar 1
 (3) Yan Kol 1
 Standart aksesuarlarda önceden bildirimde bulunulmadan değişiklik yapılabilir.

UYGULAMALAR

- Döküm çapaklarının alınması ve çeşitli çelik, bronz ve alüminyum malzemelerin ve döküm işlerinin perdahlanması.
- Kaynak yerlerinin veya kesme tertibatıyla kesilmiş kısımların taşlanması.
- Sentetik reçinelerin, arduvaz levhalarının, tuğlaların, mermerlerin, vb. taşlanması.
- Sentetik beton, taş, tuğla, mermer ve benzer malzemelerin kesilmesi.

ALETİ KULLANIM ÖNCESİNDE

1. Güç Kaynağı

Kullanacağımız güç kaynağının, aletin etiketinde belirtilen elektrik gereklerine uygun olduğundan emin olun.

3. Disk boyutlarının taşlama aletine uygun olduğundan ve diskin mile oturduğundan emin olun.
4. Taşlama diskleri, imalatçının talimatlarına uygun olarak dikkatli bir şekilde muhafaza edilmeli ve kullanılmalıdır.
5. Kullanmadan önce tek tarafı oyuklu taşlama diskini inceleyin. Kırılmış, çatlamış veya başka bir şekilde hasar görmüş ürünleri kullanmayın.
6. Daima gövdeyi ve yan kolu sıkıca tutun. Aksi takdirde oluşan tepki kuvveti, işin hatalı olmasına ve tehlikeli durumların ortaya çıkmasına neden olabilir.
7. Yüze taşlama işlerinde kesme disklerini kullanmayın.
8. Büyük delikli taşlama disklerini kullanmak amacıyla deliği küçültülen bilezik veya adaptörler gibi ek parçalar kullanmayın.
9. Alet kapatıldıktan sonra taşlama diski dönmeye devam eder.

2. Güç Şalteri

Güç şalterinin OFF konumunda olduğundan emin olun. Şalter ON konumundayken güç kaynağına bağlanan alet hemen çalışmaya başlayarak ciddi bir kazaya neden olabilir.

3. Uzatma Kablosu

Çalışma yeri güç kaynağına uzak olduğunda, yeterli kalınlık ve kapasiteye sahip bir uzatma kablosu kullanın. Uzatma kablosu mümkün olduğunca kısa tutulmalıdır.

4. Disk muhafazasının takılması ve ayarlanması

Disk muhafazası, çalışırken ortası oyuk diskin parçalanması durumunda yaralanmayı önlemek amaçlı bir koruyucu aksamdır. Taşlama işlemine başlamadan önce disk muhafazasının düzgün şekilde takılmış ve sıkıştırılmış olduğundan emin olun.

[Disk muhafazasının takılması ve ayarlanması](Şekil 2)

- Disk aksamını salmastra contasına yaklaştırın.
- Kol kapalı konumdayken disk muhafazasını sabitlemek için M5 vidayı sıkıştırın.
- Kol açıkken disk muhafazasının ayarını yapın. (Disk muhafazası rahat dönmüyorsa M5 vidayı gevşetin ve yeniden ayarlayın.)
- Ayarlamadan sonra, taşlama çalışması gerekiyorsa, çalışmaya kolu kapalı konuma getirdikten sonra başlayın.
- Kol rahat hareket etmiyorsa ayar parçasının (B) sürgülü kısmını yağlayın.

5. Kullanılan taşlama diskinin ve uçlarının imalatçının talimatlarına uygun olarak takılmış olduğundan emin olun. Kullanılan taşlama diski doğru tip ve hasarsız olmalıdır. Ayrıca taşlama diskinin doğru şekilde monte edilmiş olduğundan ve disk somununun emniyetli bir şekilde sıklığından emin olun. "Tek Tarafı Oyuk Taşlama Diski Montajı" bölümüne bakın. Aşındırıcı ürünle birlikte sağlanmışsa, kurutma kağıtlarının ihtiyaç olduğunda kullanıldığından emin olun. Büyük delikli taşlama disklerini kullanmak amacıyla deliği küçültlen bilezik veya adaptörler gibi ek parçalar kullanmayın.
- Yivli deliğe sahip disklerin kullanımı için tasarlanmış aletlerde, diskteki yivin milin tamamını alacak kadar uzun olmasına özen gösterin.
- Yüzey taşlama işlerinde kesme disklerini kullanmayın.
6. **Deneme Kullanımı**
- Taşlama işlemi öncesinde aşındırma ürünlerinin doğru monte edildiğinden ve iyice sabitlendiğinden emin olun ve aleti güvenli bir yerde 30 saniye kadar boşta olarak çalıştırın. Önemli ölçüde titreme olduğunda veya başka arızalar tespit ederseniz aleti derhal durdurun. Bu durum devam ederse, sorunun ne olduğunu anlamak için aleti kontrol edin.
7. **Kilit İğnesi**
- Aleti çalıştırmadan önce, kilit iğnesini iki veya üç kez bastırarak, iğnenin devre dışı olduğundan emin olun (**Şekil 1'ye bakın**).
8. **Yan Kolu Takılması**
- Yan kolu, dişli kutusundaki yerine vidalayarak takın.

PRATİK TAŞLAMA UYGULAMALARI

1. **Basınç**
- Makine ömrünü uzatmak ve birinci sınıf işçilik elde etmek için, aletin aşırı basınç uygulanarak zorlanmaması önemlidir. Çoğu uygulamada etkili taşlama için aletin kendi ağırlığı yeterlidir. Aşırı basınç uygulama; aletin hızının düşmesine, yüzeyin dengesiz işlenmesine ve kullanım ömrünü azaltacak şekilde aşırı yüklenmeye neden olur.
2. **Taşlama Açısı**
- Tek tarafı oyuk taşlama diskini yüzeyinin tamamını, taşlanacak malzemeye temas ettirmeyin. **Şekil 3'**de gösterildiği gibi alet, taşlama diskinin dış kenarının taşlanacak malzemeye temas edeceği şekilde 15° – 30° açıyla tutulmalıdır.
3. Yeni bir taşlama diskinin üzerinde çalışılan parçanın içine işlenmesini önlemek için, taşlama aletini parça boyunca kendinize doğru sürerek kullanın (**Şekil 3; B yönü**). Taşlama diskinin kenarı gerektiği gibi aşındıktan sonra, taşlama işlemi her iki yönde de yapılabilir.
4. **Şalterin çalışması**

[Şalterin kilit mekanizması varsa]

Şalteri açma (ON):

Şalteri açmak için **Şekil 4-a'da** gösterildiği gibi kilit kolunu **(A)** yönünde itin ve kanat kolunu **(B)** yönünde bastırın. Sonra, kanat kolunu kilitlemek ve sürekli çalışmayı sağlamak üzere bastırırken kilit kolunu **Şekil 4-b'de** gösterildiği gibi **(C)** yönüne itin.

Şalteri kapama (OFF):

Kilit modunu serbest bırakmak için, kanat kolunu **Şekil 4-a'da** gösterilen **(B)** yönünde bastırın ve kapatmak için kanat kolunu serbest bırakın.

[Şalterin kilit mekanizması yoksa]

Açmak için **Şekil 4-a'da** gösterildiği gibi kilit kolunu **(A)** yönünde itin ve kanat kolunu **(B)** yönünde bastırın. Kapatmak için kanat kolunu serbest bırakın.

NOT

Kanat kolu kilitlenemez.

5. İşlemden Hemen Sonra Uygulanacak Önlemler

Alet kapatıldıktan sonra taşlama diski dönmeye devam eder. Alet kapatıldıktan sonra taşlama diski tamamen durmadıkça makineyi yere bırakmayın. Bu önlem, olası ciddi kazaların önlenmesinin yanı sıra, aletin içine toz ve kir girmesini de engeller.

UYARILAR

- Üzerinde çalışılan parçanın gerektiği gibi desteklendiğinden emin olun.
- Tozlu ortamlarda çalışırken, havalandırma açıklıklarının temiz olduğundan emin olun. Tozun temizlenmesi gerekirse, önce aletin elektrik bağlantısını kesin (metal olmayan nesnelere kullanın) ve içerideki parçalara zarar vermeye özen gösterin.
- Aletin kullanımı sırasında oluşan kısıcılımların, insanların veya hayvanların maddelerin üzerine gelmesi gibi tehlikeli durumlara neden olmamasına dikkat edin.
- Her zaman koruyucu gözlük ve kulaklık takın. Gerektiğinde eldiven, önlük ve baret gibi diğer kişisel koruyucu teçhizatları kullanın.
- Her zaman koruyucu gözlük kullanın. Toz maskesi, eldiven, önlük ve baret gibi diğer kişisel koruyucu teçhizatlar gerektiğinde kullanılmalıdır.
- Tereddit ediyorsanız, koruyucu teçhizatı kullanın.
- Alet kullanılmadığında güç kaynağı bağlantısı kesilmelidir.

TEK TARAFLI OYUK TAŞLAMA DİSKİNİN TAKILIP ÇIKARILMASI (Şekil 1)

UYARI

Ciddi kazaları önlemek için şalterin OFF konumunda olduğundan ve fişin prizden çekilmiş olduğundan emin olun.

1. Takma işlemi (Şekil 1)

- (1) Mil yukarı gelecek şekilde aleti ters çevirin.
- (2) Disk pulunun düz tarafını, milin çentikli kısmıyla hizalayın ve diski mile takın.
- (3) Tek tarafı oyuk taşlama diskinin çıkıntısını, disk puluna yerleştirin.
- (4) Disk somununu, milin üzerine vidalayın.
- (5) Bir elinizle kilit iğnesine bastırırken, diğer elinizle taşlama diskini yavaşça çevirerek mili kilitleyin. **Şekil 1'**de gösterilen anahtarları kullanarak, disk somununu sıkın.

2. Çıkarma işlemi

Yukarıdaki prosedürleri tersten uygulayın.

UYARILAR

- Tek tarafı oyuk taşlama diskinin sıkıca takılı olduğundan emin olun.
- Aleti çalıştırmadan önce, kilit iğnesini iki veya üç kez bastırarak, iğnenin devre dışı olduğundan emin olun.

BAKIM VE İNCELEME

1. **Tek Tarafı Oyuk Taşlama Diskinin Kontrol Edilmesi**
Tek tarafı oyuk taşlama diskine çatlak veya yüzey bozuklukları olmadığından emin olun.
2. **Montaj vidalarının incelenmesi**
Tüm montaj vidalarını düzenli olarak inceleyin ve sağlam şekilde sıkılı olduğundan emin olun. Gevşeyen vidaları

derhal sıkın. Gevşemiş vidalar ciddi tehlikelere yol açabilir.

3. Kömürlerin incelenmesi (Şekil 5)

Motorla tükenen parçalar olan kömürler bulunur. Kömürler aşındığında veya “yıpranma limitine” geldiğinde, motorda sorun olma ihtimali doğar. Otomatik durduran kömür kullanılıyorsa, motor otomatik olarak durur. Böyle bir durumda, şekilde gösterildiği gibi eski kömürleri, üzerlerinde aynı kömür numarası bulunan yenileriyle değiştirin. Ayrıca, kömürleri her zaman temiz tutun ve kömür tutucular arasında rahatça kayabildiğinden emin olun.

4. Kömürleri değiştirme (Şekil 6)

(Sökme)

- (1) Arka kapağı tutan D4 kılavuz vidayı gevşetin ve arka kapağı çıkarın.
- (2) Kömürü aşağıda tutan yayı kenarından çekmek için yardımcı altıgen anahtar veya küçük tornavidayı kullanın. Yayın kenarını kömür tutucusunun dışına çıkarın.
- (3) Kömürün üzerindeki bağlantı telinin ucunu kömür tutucusunun bağlantı bölümünden çıkarın, ardından kömürü, kömür tutucudan çıkarın.

(Takma)

- (1) Kömür bağlantı telinin ucunu kömür tutucusunun bağlantı bölümüne takın.
- (2) Kömürü, kömür tutucuya takın.
- (3) Yayın kenarını kömürün kafasına geri takmak için yardımcı altıgen anahtar veya küçük tornavidayı kullanın.
- (4) Arka kapağı takın ve D4 kılavuz vidayı sıkıştırın.

5. Motorun incelenmesi

Motor biriminin sargıları, bu ağır iş aletinin “kalbidir”. Sargının hasar görmediğinden ve/veya yağ ya da su ile ıslanmadığından emin olun.

6. Servis parçaları listesi

- A: Parça no.
- B: Kod no.
- C: Kullanılan sayı
- D: Açıklamalar

DİKKAT

Hitachi Ağır İş Aletlerinin bakımı, değiştirilmesi ve incelenmesi, Hitachi Yetkili Servis Merkezlerinde gerçekleştirilmelidir.

Bu Parça Listesi, tamir veya herhangi başka bir bakım gerektiğinde Hitachi Yetkili Servis Merkezine çok yardımcı olur.

Ağır iş aletlerinin kullanımı ve bakımı konusunda her ülkede yürürlükte olan güvenlik düzenlemelerine ve standartlarına uygun davranılmalıdır.

DEĞİŞİKLİKLER

Hitachi Ağır İş Aletleri en son teknolojik ilerlemelere uygun olarak sürekli değiştirilmekte ve geliştirilmektedir. Dolayısıyla, bazı kısımlarda (örneğin kod numaraları ve/veya tasarım gibi) önceden bildirimde bulunulmadan değişiklik yapılabilir.

Havadan yayılan gürültü ve titreşimle ilgili bilgiler

Ölçülen değerlerin EN60745 ve ISO 4871'e uygun olduğu tespit edilmiştir.

Ölçülmüş A-ağırlıklı gürültü güç derecesi: 95 dB (A)

Ölçülmüş A-ağırlıklı gürültü güç derecesi: 84 dB (A)

Belirsiz KPa: 3 dB (A)

Kulak koruyucusu kullanın.

Tipik ağırlıklı etkin (RMS) ivme değeri 2.5 metre/saniye²'yi geçmez.

NOT

HITACHI'nin süregelen araştırma ve geliştirme programına bağlı olarak burada belirtilen teknik özelliklerde önceden bildirimde bulunulmadan değişiklik yapılabilir.

ОБЩИЕ ПРАВИЛА ПО ТЕХНИКЕ БЕЗОПАСНОСТИ

ПРЕДУПРЕЖДЕНИЕ!

Прочтите руководство по эксплуатации

Невыполнение всех приведенных ниже положений данного руководства может привести к поражению электрическим током, пожару и/или к серьезной травме. Термин "электроинструмент" в контексте всех приведенных ниже мер предосторожности относится к эксплуатируемому Вами электроинструменту с питанием от сетевой розетки (с сетевым шнуром) или электроинструменту с питанием от аккумуляторной батареи (беспроводному).

СОХРАНИТЕ ДАННОЕ РУКОВОДСТВО

1) Рабочее место

- a) **Поддерживайте чистоту и хорошее освещение на рабочем месте.**

Беспорядок и плохое освещение на рабочих местах приводит к несчастным случаям.

- b) **Не используйте электроинструменты во взрывоопасных окружающих условиях, например, в непосредственной близости от огнеопасных жидкостей, горючих газов или легковоспламеняющейся пыли.**

Электроинструменты порождают искры, которые могут воспалить пыль или испарения.

- c) **Держите детей и наблюдателей на безопасном расстоянии во время эксплуатации электроинструмента.**

Отвлечение внимания может стать для Вас причиной потери управления.

2) Электробезопасность

- a) **Штепсельные вилки электроинструментов должны соответствовать сетевой розетке. Никогда не модифицируйте штепсельную вилку никаким образом.**

Не используйте никакие адаптерные переходники с заземленными (замкнутыми на землю) электроинструментами.

Немодифицированные штепсельные вилки и соответствующие им сетевые розетки уменьшат опасность поражения электрическим током.

- b) **Не прикасайтесь телом к заземленным поверхностям, например, к трубопроводам, радиаторам, кухонным плитам и холодильникам.**

Если Ваше тело соприкоснется с заземленными поверхностями, возрастет опасность поражения электрическим током.

- c) **Не подвергайте электроинструменты воздействию дождя или влаги.**

При попадании воды в электроинструмент возрастет опасность поражения электрическим током.

- d) **Правильно обращайтесь со шнуром. Никогда не переносите электроинструмент, взявшись за шнур, не тяните за шнур, и не дергайте за шнур с целью отсоединения электроинструмента от сетевой розетки. Располагайте шнур подальше от источников тепла, нефтепродуктов, предметов с острыми кромками и движущихся деталей.**

Поврежденные или запутанные шнуры увеличивают опасность поражения электрическим током.

- e) **При эксплуатации электроинструмента вне помещений, используйте удлинительный шнур, предназначенный для использования вне помещения.**

Использование шнура, предназначенного для работы вне помещений, уменьшит опасность поражения электрическим током.

3) Личная безопасность

- a) **Будьте готовы к неожиданным ситуациям, внимательно следите за своими действиями и руководствуйтесь здравым смыслом при эксплуатации электроинструмента.**

Не используйте электроинструмент, когда Вы устали или находитесь под влиянием наркотиков, алкоголя или лекарственных препаратов.

Мгновенная потеря внимания во время эксплуатации электроинструментов может привести к серьезной травме.

- b) **Используйте защитное снаряжение. Всегда надевайте средство защиты глаз.**

Защитное снаряжение, например, противопылевой респиратор, защитная обувь с нескользкой подошвой, защитный шлем-каска или средства защиты органов слуха, используемые для соответствующих условий, уменьшат травмы.

- c) **Избегайте непреднамеренного включения двигателя. Убедитесь в том, что выключатель находится в положении выключения перед подсоединением к сетевой розетке.**

Переноска электроинструментов, когда Вы держите палец на выключателе, или подсоединение электроинструментов к сетевой розетке, когда выключатель будет находиться в положении включения, приводит к несчастным случаям.

- d) **Снимите все регулировочные или гаечные ключи перед включением электроинструмента.**

Гаечный или регулировочный ключ, оставленный прикрепленным к вращающейся детали электроинструмента может привести к получению личной травмы.

- e) **Не теряйте устойчивость. Все время имейте надежную точку опоры и сохраняйте равновесие.**

Это поможет лучше управлять электроинструментом в непредвиденных ситуациях.

- f) **Одевайтесь надлежащим образом. Не надевайте просторную одежду или ювелирные изделия. Держите волосы, одежду и перчатки как можно дальше от движущихся частей.**

Просторная одежда, ювелирные изделия или длинные волосы могут попасть в движущиеся части.

- g) **Если предусмотрены устройства для присоединения приспособлений для отвода и сбора пыли, убедитесь в том, что они присоединены и используются надлежащим образом.**

Использование данных устройств может уменьшить опасности, связанные с пылью.

4) Эксплуатация и обслуживание электроинструментов

a) Не перегружайте электроинструмент. Используйте надлежащий для Вашего применения электроинструмент.

Надлежащий электроинструмент будет выполнять работу лучше и надежнее в том режиме работы, на который он рассчитан.

b) Не используйте электроинструмент с неисправным выключателем, если с его помощью нельзя будет включить и выключить электроинструмент.

Каждый электроинструмент, которым нельзя управлять с помощью выключателя, будет представлять опасность и его будет необходимо отремонтировать.

c) Отсоедините штепсельную вилку от источника питания перед началом выполнения какой-либо из регулировок, перед сменой принадлежностей или хранением электроинструментов.

Такие профилактические меры безопасности уменьшат опасность непреднамеренного включения двигателя электроинструмента.

d) Храните неиспользуемые электроинструменты в недоступном для детей месте, и не разрешайте людям, не знающим как обращаться с электроинструментом или не изучившим данное руководство, работать с электроинструментом.

Электроинструменты представляют опасность в руках неподготовленных пользователей.

e) Содержите электроинструменты в исправности. Проверьте, нет ли несоосности или заедания движущихся частей, повреждения деталей или какого-либо другого обстоятельства, которое может повлиять на функционирование электроинструментов.

При наличии повреждения, отремонтируйте электроинструмент перед его эксплуатацией. Большое количество несчастных случаев связано с плохим обслуживанием электроинструментов.

f) Содержите режущие инструменты остро заточенными и чистыми.

Содержащиеся в исправности надлежащим образом режущие инструменты с острыми режущими кромками будут меньше заедать, и будут легче в управлении.

g) Используйте электроинструмент, принадлежности, насадки и т.п., в соответствии с данным руководством и определенным типом электроинструмента для выполнения работы по его прямому назначению, принимая во внимание условия и объем выполняемой работы.

Использование электроинструмента для выполнения работ не по прямому назначению может привести к опасной ситуации.

5) Обслуживание

a) Обслуживание Вашего электроинструмента должно выполняться квалифицированным представителем ремонтной службы с использованием только идентичных запасных частей.

Это обеспечит сохранность и безопасность электроинструмента.

МЕРА ПРЕДОСТОРОЖНОСТИ

Держите подальше от детей и слабых людей. Если инструменты не используются, их следует хранить в недоступном для детей и слабых людей месте.

МЕРЫ ПРЕДОСТОРОЖНОСТИ ПРИ ЭКСПЛУАТАЦИИ ШЛИФОВАЛЬНОЙ МАШИНЫ

1. Никогда не используйте такие электрические инструменты без защитных приспособлений шлифовального круга.
2. Проверьте, что скорость, указанная на шлифовальном круге равна или превышает номинальную скорость шлифовальной машины. Используйте только шлифовальные круги с утопленным центром, рассчитанные на скорость 80 м/с или более.
3. Проверьте и убедитесь в том, что размеры шлифовального круга совместимы с размерами шлифовальной машины, и шлифовальный круг соответствует шпинделю.
4. Абразивные шлифовальные круги необходимо хранить и использовать осторожно, в соответствии с инструкциями предприятия-изготовителя.
5. Перед использованием внимательно осмотрите шлифовальный круг с утопленным центром. Не используйте выщербленные, треснувшие изделия или же изделия, поврежденные каким-либо другим образом.
6. Всегда крепко удерживайте рукоятку корпуса и боковую рукоятку электрического инструмента. В противном случае, возникающая сила противодействия может привести к неточным и даже опасным действиям.
7. Не используйте отрезные круги для бокового шлифования.
8. Не используйте отдельные переходные втулки или насадки для того, чтобы приспособить абразивные шлифовальные круги с отверстиями большего диаметра.
9. Шлифовальный круг продолжает вращаться после выключения инструмента.

ТЕХНИЧЕСКИЕ ХАРАКТЕРИСТИКИ

| Модель | | G12SE2 | G13SE2 |
|--------------------------------|--------------------------------------|--------------------------------|-------------|
| Напряжение (по регионам)* | | (110 В, 120 В, 230 В, 240 В) √ | |
| Потребляемая мощность* | | 1200 Вт | |
| Число оборотов холостого хода* | | 11000 мин ⁻¹ | |
| Шлифовальный круг | Наружный диаметр × диаметр отверстия | 115 × 22 мм | 125 × 22 мм |
| | Окружная скорость | 80 м/с | |
| Вес (Только основной корпус) | | 1,9 кг | |

*Проверьте паспортную табличку на изделии, так как она меняется в зависимости от региона

СТАНДАРТНЫЕ АКСЕССУАРЫ

- (1) Шлифовальный круг с утопленным центром 1
 - (2) Гаечный ключ 1
 - (3) Боковая рукоятка 1
- Набор стандартных аксессуаров может быть без предупреждения изменён.

ОБЛАСТЬ ПРИМЕНЕНИЯ

- Удаление облоя на отливках, чистовая обработка различных видов изделий и отливок из стали, бронзы и алюминия.
- Шлифование сварных сечений или сечений, полученных резкой при помощи газового резака.
- Шлифование синтетических пластмасс, шифера, кирпича, мрамора и т.п.
- Резание синтетического бетона, камня, кирпича, мрамора и подобных материалов.

ПОДГОТОВКА К ЭКСПЛУАТАЦИИ

1. Источник электропитания

Проследите за тем, чтобы используемый источник электропитания соответствовал требованиям к источнику электропитания, указанным на типовой табличке изделия.

2. Переключатель "Вкл./ Выкл."

Убедитесь в том, что переключатель находится в положении "Выкл.". Если вы вставляете штепсель в розетку, а переключатель находится в положении "Вкл.", инструмент немедленно заработает, что может стать причиной серьёзной травмы.

3. Удлинитель

Когда рабочая площадка удалена от источника электропитания, пользуйтесь удлинителем. Удлинитель должен иметь требуемую площадь поперечного сечения и обеспечивать работу инструмента заданной мощности. Разматывайте удлинитель только на реально необходимую для данного конкретного применения длину.

4. Установка и регулировка защитного приспособления шлифовального круга

Защитное приспособление шлифовального круга является предохранительным устройством, для предотвращения получения травмы, которую можно получить, если шлифовальный круг с утопленным центром разрушится во время работы. Перед началом шлифования убедитесь в том, что защитное приспособление установлено и закреплено надлежащим образом.

[Как закрепить и отрегулировать защитное приспособление] (Рис. 2)

- Установите шлифовальный круг в сборе на сальниковую коробку.
 - Затяните винт M5 для того, чтобы надёжно закрепить защитное приспособление, когда рычаг находится в закрытом положении.
 - Выполните регулировку защитного приспособления при опущенном рычаге (Ослабьте винт M5 и отрегулируйте повторно, если защитное приспособление не будет плавно поворачиваться.).
 - После регулировки, если возникнет необходимость в шлифовании, выполните шлифование только после установки рычага в закрытое положение.
 - Смажьте скользящий участок посадочной детали (B) и рычага, если рычаг не будет плавно перемещаться.
5. Убедитесь в том, что установленные шлифовальные круги и режущие кромки закреплены в соответствии с инструкциями предприятия-изготовителя. Убедитесь в том, что используемый шлифовальный круг с утопленным центром подходит по типу, и не имеет трещин и дефектов поверхности. Обязательно убедитесь также в том, что шлифовальный круг с утопленным центром установлен надлежащим образом и гайка крепления круга надёжно затянута. Обратитесь к разделу "Шлифовальный круг с утопленным центром в сборе".
- Убедитесь в том, что прокладки из промокательной бумаги используются там, где они предусмотрены для армированного абразивного изделия и где требуется их применение.
- Не используйте отдельные переходные втулки или насадки для того, чтобы приспособить абразивные шлифовальные круги с отверстиями большего диаметра.
- Что касается инструментов, предназначенных для установки при помощи резьбового отверстия шлифовального круга, убедитесь в том, что резьба в круге имеет достаточную длину, чтобы соответствовать длине шпинделя.
- Не используйте отрезные круги для бокового шлифования.
6. Проведение испытательного прогона
- Перед использованием убедитесь в том, что абразивные изделия правильно установлены и затянуты, и опробуйте инструмент без нагрузки в течение 30 секунд в безопасном положении, немедленно выключите его при появлении большой вибрации или при обнаружении других неисправностей. Если такое состояние будет иметь место, проверьте машину для определения причины неисправности.

7. **Проверьте функционирование нажимной кнопки.**
Перед включением электрического инструмента проверьте нажимную кнопку и убедитесь в том, что нажимная кнопка освобождена, путем двух- или трехразового нажатия (**См. Рис. 1**).
8. **Прикрепление боковой рукоятки.**
Винтите боковую рукоятку в крышку редуктора.

ПРАКТИЧЕСКОЕ ПРИМЕНЕНИЕ ШЛИФОВАЛЬНОЙ МАШИНЫ

1. Нажатие

Для продления срока службы машины и обеспечения высококачественной чистовой обработки, важно избегать перегрузки, возникающей при слишком сильном нажатии на машину. В большинстве случаев применения, вес самой машины является достаточным для эффективного шлифования. Слишком сильное нажатие на машину может привести в результате к снижению скорости вращения, разрушению внутренней поверхности и перегрузке, которая может сократить срок службы машины.

2. Угол шлифования

Не прикладывайте всю поверхность шлифовального круга с утопленным центром к обрабатываемому материалу. Как показано на **Рис. 3**, машина должна удерживаться под углом 15° – 30° таким образом, чтобы наружная кромка шлифовального круга с утопленным центром соприкасалась с материалом под оптимальным углом.

3. Для предотвращения врезания нового шлифовального круга с утопленным центром в обрабатываемое изделие, первоначальное шлифование новым кругом должно выполняться таким образом, чтобы движение шлифовальной машины было направлено поперек обрабатываемого изделия в сторону оператора (**Рис. 3 направление В**). Когда передняя кромка шлифовального круга с утопленным центром будет должным образом истерта, шлифование можно будет выполнять в любом направлении.

4. Операция включения

[Когда выключатель оснащен механизмом блокировки]
Положение выключателя ВКЛ:

Для включения передвиньте рычаг блокировки в направлении **(А)** и нажмите откидной рычаг в направлении **(Б)**, как показано на **Рис. 4-а**.

Кроме того, передвиньте рычаг блокировки в направлении **(С)**, как показано на **Рис. 4-б**, в то время, когда нажимаете откидной рычаг, для того, чтобы выполнить функцию блокировки и обеспечить непрерывное функционирование.

Положение выключателя ВЫКЛ:

Для снятия режима блокировки нажмите откидной рычаг в направлении **(Б)**, как показано на **Рис. 4-а**, и отпустите откидной рычаг для выключения.

[Когда выключатель не оснащен механизмом блокировки]
Для включения передвиньте рычаг блокировки в направлении **(А)** и нажмите откидной рычаг в направлении **(Б)**, как показано на **Рис. 4-а**. Отпустите откидной рычаг для выключения.

ПРИМЕЧАНИЕ

Откидной рычаг не может быть заблокирован.

5. Меры предосторожности непосредственно после окончания работы

Шлифовальный круг продолжает вращаться после выключения инструмента.

После выключения машины не кладите его до тех пор, пока шлифовальный круг с утопленным центром полностью не остановится. Не считая того, что эта мера предосторожности поможет избежать несчастного случая с тяжелыми последствиями, она уменьшит количество пыли и мелкой шлифовальной стружки, которая может засосаться внутрь машины.

ОСТОРОЖНО

- Проверьте и убедитесь в том, что обрабатываемое изделие поддерживается надлежащим образом.
- Убедитесь в том, что вентиляционные отверстия очищены при работе в запыленных условиях. Если возникнет необходимость очистить инструмент от пыли, прежде всего, отсоедините его от сети питания (используйте неметаллические предметы) и постарайтесь не повредить внутренние части.
- Убедитесь в том, что искры, образующиеся в процессе работы, не являются источником опасности, например, не попадают на людей или не воспламеняют огнеопасные вещества.
- Всегда используйте защитные очки и средства защиты органов слуха, используйте другие индивидуальные средства защиты, например, перчатки, фартук, защитный шлем при необходимости.
- Всегда используйте средства защиты глаз и органов слуха. Другие индивидуальные средства защиты, например, противопылевой респиратор, перчатки, защитный шлем и фартук следует надевать при необходимости.
- В сомнительной ситуации наденьте средства защиты.
- Если машина не используется, она должно быть отключена от источника питания.

УСТАНОВКА И СНЯТИЕ ШЛИФОВАЛЬНОГО КРУГА С УТОПЛЕННЫМ ЦЕНТРОМ (Рис. 1)

ОСТОРОЖНО

Обязательно убедитесь в выключении машины и отсоединении патронного ответственного штепселя от сетевой розетки для предотвращения несчастного случая с тяжелыми последствиями.

1. Установка (Рис. 1)

- (1) Поверните шлифовальную машину верхней стороной вниз таким образом, чтобы шпиндель был направлен вверх.
- (2) Совместите параллельные грани шайбы шлифовального круга с профилированной частью шпинделя, затем прикрепите их.
- (3) Установите выступ шлифовального круга с утопленным центром на шайбу шлифовального круга.
- (4) Завинтите гайку крепления шлифовального круга на шпиндель.
- (5) В то время, когда нажимаете на нажимную кнопку одной рукой, зафиксируйте шпиндель, медленно

поворачивая шлифовальный круг с утопленным центром другой рукой.

Затяните гайку крепления шлифовального круга при помощи прилагаемого гаечного ключа, как показано на **Рис. 1**.

2. Снятие

Выполните действия вышеописанной процедуры в обратном порядке.

ОСТОРОЖНО

- Убедитесь в том, что шлифовальный круг с утопленным центром установлен плотно.
- Перед включением электрического инструмента проверьте нажимную кнопку и убедитесь в том, что нажимная кнопка освобождена, путем двух- или трехразового нажатия.

ТЕХНИЧЕСКОЕ ОБСЛУЖИВАНИЕ И ПРОВЕРКА

1. Обследование шлифовального круга с утопленным центром

Убедитесь в том, что шлифовальный круг с утопленным центром не имеет трещин и дефектов поверхности.

2. Проверка установленных винтов

Регулярно проверяйте все установленные на инструменте винты, следите за тем, чтобы они были как следует затянуты. Немедленно затяните винт, который окажется ослабленным. Невыполнение этого правила грозит серьёзной опасностью.

3. Проверка угольных щёток (рис. 5)

В электродвигателе инструмента применяются угольные щётки, которые со временем изнашиваются. Когда щётка приблизится к "пределу износа" или сравняется с ним, могут начаться перебои в работе двигателя. Если двигатель оснащён отключающейся угольной щёткой, он прекратит работу автоматически. В это время замените обе угольные щётки на новые, имеющие тот же номер (см. рис.). Следует всегда содержать угольные щётки в чистоте и следить за тем, чтобы они свободно скользили в пределах щёткодержателей.

4. Замена угольных щеток (Рис. 6)

(Снятие)

- (1) Ослабьте самонарезающий винт D4, удерживающий заднюю нижнюю крышку, и снимите заднюю нижнюю крышку.
- (2) Используйте вспомогательный шестигранный гаечный ключ или маленькую отвертку для того, чтобы оттянуть вверх край пружины, которая удерживает угольную щетку. Передвиньте край пружины в направлении наружу от щеткодержателя.
- (3) Выньте конец щеточного канатика угольной щетки из клеммного отсека щеткодержателя, а затем выньте угольную щетку из щеткодержателя.

(Установка)

- (1) Вставьте конец щеточного канатика угольной щетки в клеммный отсек щеткодержателя.
- (2) Вставьте угольную щетку в щеткодержатель.
- (3) Используйте вспомогательный шестигранный гаечный ключ или маленькую отвертку для того, чтобы вернуть кромку пружины на верхнюю часть угольной щетки.
- (4) Установите заднюю нижнюю крышку и затяните самонарезающий винт D4.

5. Техническое обслуживание двигателя

Обмотка двигателя - "сердце" электроинструмента. Проявляйте должное внимание, следя за тем, чтобы обмотка не была повреждена и/или залита маслом или водой.

6. Порядок записей по техобслуживанию

- A: пункт №
- B: код №
- C: количество применений
- D: замечания

ПРЕДОСТЕРЕЖЕНИЕ.

Ремонт, модификация и проверка электроинструментов HITA-SHI должна проводиться только в авторизованных сервисных центрах HITA-SHI. Данный список принесите в мастерскую вместе с инструментом для проведения ремонта или технического обслуживания.

При использовании или техобслуживании инструмента всегда следите за выполнением всех правил и норм безопасности.

ЗАМЕЧАНИЕ

Фирма HITA-SHI непрерывно работает над усовершенствованием своих изделий, поэтому мы сохраняем за собой право на внесение изменений в технические характеристики, упомянутые в данной инструкции по эксплуатации, без предупреждения об этом.

ПРИМЕЧАНИЕ

На основании постоянных программ исследования и развития, HITA-SHI оставляют за собой право на изменение указанных здесь технических данных без предварительного уведомления.

Информация, касающаяся создаваемого шума и вибрации

Измеряемые величины были определены в соответствии с EN60745 и заявлены в соответствии с ISO 4871.

Измеренный средневзвешенный уровень звуковой мощности: 95 дБ (А)

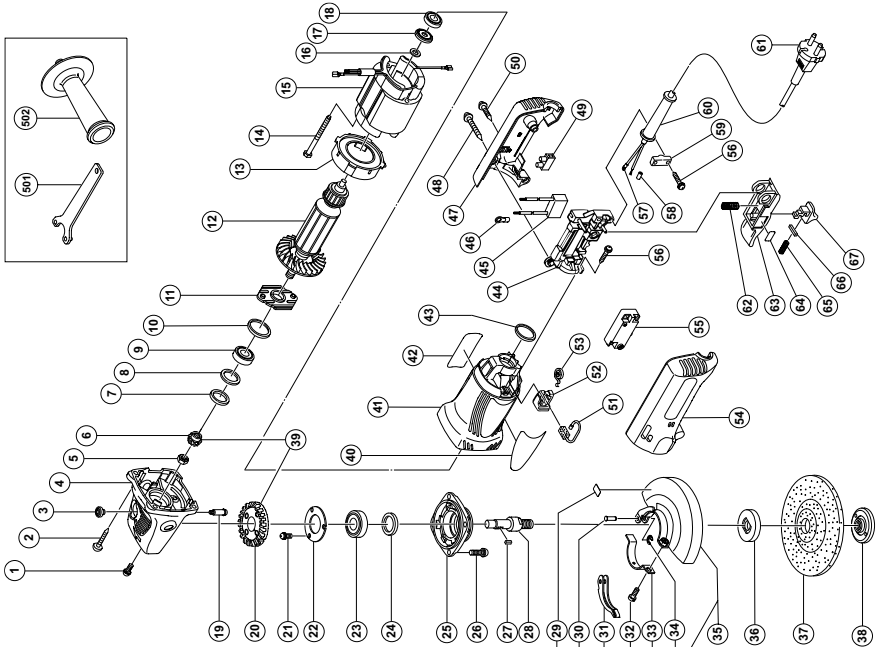
Измеренный средневзвешенный уровень звукового давления: 84 дБ (А)

Погрешность Кра: 3 дБ (А)

Надевайте наушники.

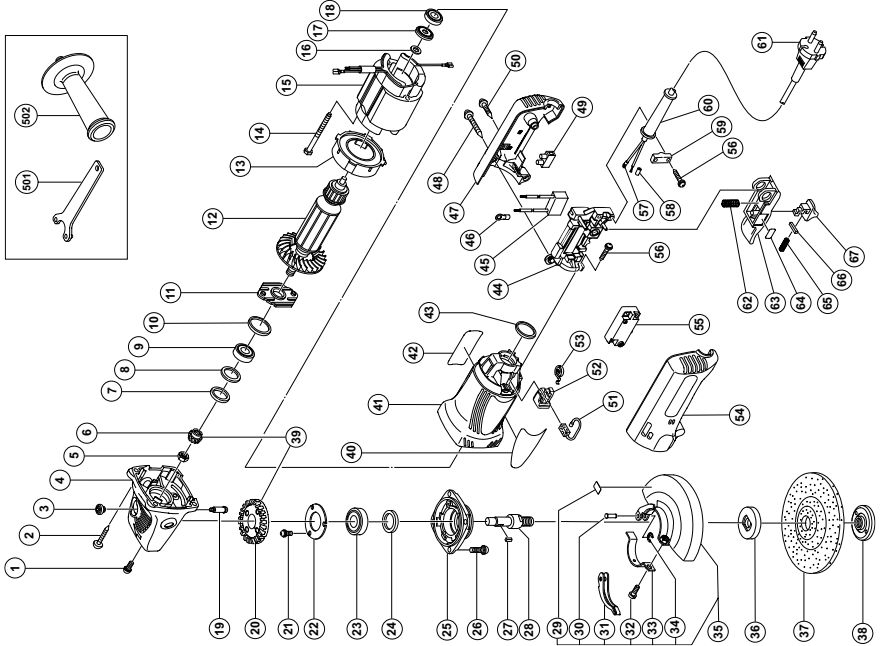
Типичное взвешенное среднеквадратическое значение ускорения не превышает 2,5 м/с².

G12SE2



| A | B | C | D | A | B | C | D |
|------|----------|---|----------------|------|----------|---|----------------------|
| 1 | 303-255 | 2 | M4x10 | 41 | 321-731 | 1 | |
| 2 | 320-523 | 4 | D5x25 | 42 | — | 1 | |
| 3 | 301-944 | 1 | "3, 19" | 43 | 321-733 | 1 | |
| 4 | 321-737 | 1 | M8 | 44 | 311-738 | 1 | |
| 5 | 949-558 | 1 | | 45 | 930-039 | 1 | |
| 6 | 308-541 | 1 | | 46 | 311-741 | 1 | |
| 7 | 308-543 | 1 | | 47 | 321-739 | 1 | |
| 8 | 980-866 | 1 | | 48 | 303-694 | 2 | D4x35 |
| 9 | 629-T12 | 1 | 629T12DDC3PS2L | 49 | 938-307 | 1 | |
| 10 | 957-754 | 1 | | 50 | 301-653 | 1 | D4x20 |
| 11 | 321-734 | 1 | | 51 | 999-088 | 1 | |
| 12 | 360-603C | 1 | 110V | 51.2 | 999-076 | 1 | |
| 12.1 | 360-603C | 1 | 120V | 52 | 317-810 | 2 | |
| 12.2 | 360-603U | 1 | 230V-240V | 53 | 308-536 | 2 | |
| 12.3 | 360-603E | 1 | | 54 | 321-738 | 1 | |
| 13 | 321-732 | 1 | | 55 | 311-739 | 1 | |
| 14 | 982-021 | 2 | D4x70 | 56 | 984-750 | 3 | D4x16 |
| 15 | 340-551C | 1 | 110V | 57 | 980-063 | 1 | |
| 15.2 | 340-551D | 1 | 120V | 58 | 981-373 | 2 | GBR (110V) |
| 15.3 | 340-551E | 1 | 230V | 59 | 960-266 | 1 | |
| 15.4 | 340-551F | 1 | 240V | 60 | 953-327 | 1 | D8, 8 |
| 16 | 311-737 | 1 | GBR (110V) | 61 | — | 1 | |
| 17 | 315-877 | 1 | | 62 | 983-595 | 1 | |
| 17.2 | 311-435 | 1 | GBR (110V) | 63 | 308-554 | 1 | |
| 18 | 608-VVM | 1 | 608VVC2PS2L | 64 | 308-557 | 1 | |
| 19 | 301-943 | 1 | | 64.2 | 308-558 | 1 | "NZL, FLJ, AUS, GBR" |
| 20 | 321-736 | 1 | | 65 | 301-631 | 1 | 3x3x15 |
| 21 | 991-207 | 3 | M4x8 | 66 | 982-696 | 1 | |
| 22 | 936-680 | 1 | | 67 | 308-555 | 1 | |
| 23 | 620-IDD | 1 | 6201DDC MPS2L | 67.2 | 308-556 | 1 | "NZL, FLJ, AUS, GBR" |
| 24 | 308-546 | 1 | | 501 | 938-332Z | 1 | |
| 25 | 308-545 | 1 | | 502 | 994-322 | 1 | |
| 26 | 307-046 | 4 | M5x16 | | | | |
| 27 | 944-109 | 1 | 3x3x8 | | | | |
| 28 | 994-301 | 1 | | | | | |
| 29 | 311-492 | 1 | | | | | |
| 30 | 311-744 | 1 | | | | | |
| 31 | 311-743 | 1 | | | | | |
| 32 | 880-734 | 1 | M5x25 | | | | |
| 33 | 311-491 | 1 | | | | | |
| 34 | 874-759 | 1 | | | | | |
| 35 | 311-745 | 1 | "29 - 34" | | | | |
| 36 | 937-817Z | 1 | | | | | |
| 37 | 316-821 | 1 | 115MM A36O | | | | |
| 38 | 994-324 | 1 | M14 | | | | |
| 39 | 321-735 | 1 | "6, 20" | | | | |
| 40 | — | 1 | | | | | |

G13SE2



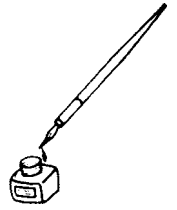
| A | B | C | D | A | B | C | D |
|------|----------|---|-----------------|------|----------|---|--------------------------------|
| 1 | 303-255 | 2 | M4x10 | 41 | 321-731 | 1 | |
| 2 | 320-523 | 4 | D5x25 | 42 | — | 1 | |
| 3 | 301-944 | 1 | "3, 19" | 43 | 321-733 | 1 | |
| 4 | 321-737 | 1 | M8 | 44 | 311-738 | 1 | |
| 5 | 949-558 | 1 | | 45 | 930-039 | 1 | |
| 6 | 308-541 | 1 | | 46 | 311-741 | 1 | |
| 7 | 308-543 | 1 | | 47 | 321-739 | 1 | |
| 8 | 980-866 | 1 | | 48 | 303-694 | 2 | D4x35 |
| 9 | 629-T12 | 1 | 629T12DDC3PS2-L | 49 | 938-307 | 1 | D4x20 |
| 10 | 957-754 | 1 | | 50 | 301-653 | 1 | |
| 11 | 321-734 | 1 | | 51 | 999-088 | 1 | |
| 12 | 360-603C | 1 | 110V | 51.2 | 999-076 | 1 | |
| 12.1 | 360-603U | 1 | 120V | 52 | 317-810 | 2 | |
| 12.2 | 360-603E | 1 | 230V - 240V | 53 | 308-536 | 2 | |
| 13 | 321-732 | 1 | | 54 | 321-738 | 1 | |
| 14 | 982-021 | 2 | D4x70 | 55 | 311-739 | 1 | D4x16 |
| 15.1 | 340-551C | 1 | 110V | 56 | 984-750 | 3 | |
| 15.2 | 340-551D | 1 | 120V | 57 | 980-063 | 1 | |
| 15.3 | 340-551E | 1 | 230V | 58 | 981-373 | 2 | GBR (110V) |
| 15.4 | 340-551F | 1 | 240V | 59 | 960-266 | 1 | |
| 16 | 311-737 | 1 | GBR (110V) | 60 | 953-327 | 1 | D8.8 |
| 17.1 | 315-877 | 1 | | 61 | — | 1 | |
| 17.2 | 311-435 | 1 | GBR (110V) | 62 | 983-595 | 1 | |
| 18 | 608-VVM | 1 | 608VVC2PS2L | 63 | 308-554 | 1 | |
| 19 | 301-943 | 1 | | 64 | 308-557 | 1 | "NZL, FIJ, AUS, GBR, FRA, BEL" |
| 20 | 321-736 | 1 | | 64.2 | 308-558 | 1 | |
| 21 | 991-207 | 3 | M4x8 | 65 | 301-631 | 1 | 3x3x15 |
| 22 | 936-680 | 1 | | 66 | 982-696 | 1 | |
| 23 | 620-TDD | 1 | 620TDDCmps2L | 67 | 308-555 | 1 | |
| 24 | 308-546 | 1 | | 67.2 | 308-556 | 1 | "NZL, FIJ, AUS, GBR, FRA, BEL" |
| 25 | 308-545 | 1 | | 501 | 938-332Z | 1 | |
| 26 | 307-046 | 4 | M5x16 | 502 | 994-322 | 1 | |
| 27 | 944-109 | 1 | 3x3x8 | | | | |
| 28 | 994-301 | 1 | | | | | |
| 29 | 311-492 | 1 | | | | | |
| 30 | 311-744 | 1 | | | | | |
| 31 | 311-743 | 1 | M5x25 | | | | |
| 32 | 880-734 | 1 | | | | | |
| 33 | 311-491 | 1 | "29 - 34" | | | | |
| 34 | 874-759 | 1 | | | | | |
| 35 | 311-742 | 1 | | | | | |
| 36 | 937-817Z | 1 | 125MM A36Q | | | | |
| 37 | 316-822 | 1 | M14 | | | | |
| 38 | 994-324 | 1 | "6, 20" | | | | |
| 39 | 321-735 | 1 | | | | | |
| 40 | — | 1 | | | | | |


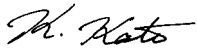
| | |
|--|---|
| <p>English</p> <p><u>GARANTEE CERTIFICATE</u></p> <ol style="list-style-type: none"> ① Model No. ② Serial No. ③ Date of Purchase ④ Customer Name and Address ⑤ Dealer Name and Address (Please stamp dealer name and address) | <p>Magyar</p> <p><u>GARANCIA BIZONYLAT</u></p> <ol style="list-style-type: none"> ① Típuszám ② Sorozatszám ③ A vásárlás dátuma ④ A Vásárló neve és címe ⑤ A Kereskedő neve és címe (Kérjük ide elhelyezni a Kereskedő nevének és címének pecsétjét) |
| <p>Deutsch</p> <p><u>GARANTIESCHEIN</u></p> <ol style="list-style-type: none"> ① Modell-Nr. ② Serien-Nr. ③ Kaufdatum ④ Name und Anschrift des Kunden ⑤ Name und Anschrift des Händlers (Bitte mit Namen und Anschrift des Handlers abstempeln) | <p>Čeština</p> <p><u>ZÁRUČNÍ LIST</u></p> <ol style="list-style-type: none"> ① Model č. ② Série č. ③ Datum nákupu ④ Jméno a adresa zákazníka ⑤ Jméno a adresa prodejce (Prosíme o razítko se jménem a adresou prodejce) |
| <p>Ελληνικά</p> <p><u>ΠΙΣΤΟΠΟΙΗΤΙΚΟ ΕΓΓΥΗΣΗΣ</u></p> <ol style="list-style-type: none"> ① Αρ. Μοντέλου ② Αύξων Αρ. ③ Ημερομηνία αγοράς ④ Όνομα και διεύθυνση πελάτη ⑤ Όνομα και διεύθυνση μεταπωλητή (Παρακαλούμε να χρησιμοποιηθεί σφραγίδα) | <p>Türkçe</p> <p><u>GARANTİ SERTİFİKASI</u></p> <ol style="list-style-type: none"> ① Model No. ② Seri No. ③ Satın Alma Tarihi ④ Müşteri Adı ve Adresi ⑤ Bayi Adı ve Adresi (Lütfen bayi adını ve adresini kaşe olarak basın) |
| <p>Polski</p> <p><u>GWARANCJA</u></p> <ol style="list-style-type: none"> ① Model ② Numer seryjny ③ Data zakupu ④ Nazwa klienta i adres ⑤ Nazwa dealera i adres (Pieczęć punktu sprzedaży) | <p>Русский</p> <p><u>ГАРАНТИЙНЫЙ СЕРТИФИКАТ</u></p> <ol style="list-style-type: none"> ① Модель № ② Серийный № ③ Дата покупки ④ Название и адрес заказчика ⑤ Название и адрес дилера (Пожалуйста, внесите название и адрес дилера) |

HITACHI

| | |
|---|--|
| ① | |
| ② | |
| ③ | |
| ④ | |
| ⑤ | |





| | |
|---|---|
| <p>English</p> <p>EC DECLARATION OF CONFORMITY</p> <p>We declare under our sole responsibility that this product is in conformity with standards or standardized documents EN60745, EN50144, EN55014 and EN61000-3 in accordance with Council Directives 73/23/EEC, 89/336/EEC and 98/37/EC.</p> <p>This declaration is applicable to the product affixed CE marking.</p> | <p>Magyar</p> <p>EU MEGFELELŐSÉGI NYILATKOZAT</p> <p>Teljes felelősségünk tudatában kijelentjük, hogy ez a termék megfelel az EN60745, EN50144, EN55014, és EN 61000-3 szabványoknak illetve szabványosított dokumentumoknak, az Európa Tanács 73/23/EEC, 89/336/EEC, és 98/37/EC Tanácsi Direktívával összhangban.</p> <p>Jelen nyilatkozat a terméken feltüntetett CE jelzésre vonatkozik.</p> |
| <p>Deutsch</p> <p>ERKLÄRUNG ZUR KONFORMITÄT MIT CE-REGELN</p> <p>Wir erklären mit alleiniger Verantwortung, daß dieses Produkt den Standards oder standardisierten Dokumenten EN60745, EN50144, EN55014 und EN61000-3 in Übereinstimmung mit den Direktiven des Europarats 73/23/EWG, 89/336/EWG und 98/37/CE entspricht.</p> <p>Diese Erklärung gilt für Produkte, die die CE-Markierung tragen.</p> | <p>Čeština</p> <p>PROHLÁŠENÍ O SHODĚ S CE</p> <p>Prohlašujeme na svoji zodpovědnost, že tento výrobek odpovídá normám EN60745, EN50144, EN55014 a EN61000-3 v souladu se směrnicemi 73/23/EEC, 89/336/EEC a 98/37/EC.</p> <p>Toto prohlášení platí pro výrobek označený značkou CE.</p> |
| <p>Ελληνικά</p> <p>ΕΚ ΔΗΛΩΣΗ ΕΝΑΡΜΟΝΙΣΜΟΥ</p> <p>Δηλώνουμε με απόλυτη υπευθυνότητα ότι αυτό το προϊόν είναι εναρμονισμένο με τα πρότυπα ή τα έγγραφα προτύπων EN60745, EN50144, EN55014 και EN61000-3 σε συμφωνία με τις Οδηγίες του Συμβουλίου 73/23/ΕΟΚ, 89/336/ΕΟΚ και 98/37/ΕΚ.</p> <p>Αυτή η δήλωση ισχύει στο προϊόν με το σημάδι CE.</p> | <p>Türkçe</p> <p>AB UYGUNLUK BEYANI</p> <p>Bu ürünün, 73/23/EEC, 89/336/EEC ve 98/37/EC sayılı Konsey Direktiflerine uygun olarak, EN60745, EN50144, EN55014 ve EN61000-3 sayılı standartlara ve standartlaştırılmış belgelere uygun olduğunu, tamamen kendi sorumluluğumuz altında beyan ederiz.</p> <p>Bu beyan, üzerinde CE işareti bulunan ürünler için geçerlidir.</p> |
| <p>Polski</p> <p>DEKLARACJA ZGODNOŚCI Z EC</p> <p>Oznajmiamy z całkowitą odpowiedzialnością, że produkt ten pozostaje w zgodzie ze standardami lub standardową formą dokumentów EN60745, EN50144, EN55014 i EN61000-3 w zgodzie z Zasadami Rady 73/23/EEC 89/336/EEC i 98/37/EC.</p> <p>To oświadczenie odnosi się do załączonego produktu z oznaczeniami CE.</p> | <p>Русский</p> <p>ДЕКЛАРАЦИЯ СООТВЕТСТВИЯ ЕС</p> <p>Мы с полной ответственностью заявляем, что данное изделие соответствует стандартам или стандартизованным документам EN60745, EN50144, EN55014 и EN61000-3 согласно Директивам Совета 73/23/EEC, 89/336/EEC и 98/37/EC.</p> <p>Данная декларация относится к изделиям, на которых имеется маркировка CE.</p> |
| <div style="display: flex; justify-content: space-between; align-items: flex-start;"> <div style="width: 60%;"> <p>Representative office in Europe Hitachi Power Tools Europe GmbH Siemensring 34, 47877 Willich 1, F. R. Germany</p> <p>Head office in Japan Hitachi Koki Co., Ltd. Shinagawa Intercity Tower A, 15-1, Konan 2-chome, Minato-ku, Tokyo, Japan</p> </div> <div style="width: 30%; text-align: center;">  <p>29. 7. 2005</p>  <hr/> <p>K. Kato Board Director</p> </div> </div> | |

 **Hitachi Koki Co., Ltd.**

McGrp.Ru



Сайт техники и электроники

Наш сайт McGrp.Ru при этом не является просто хранилищем [инструкций по эксплуатации](#), это живое сообщество людей. Они общаются на форуме, задают вопросы о способах и особенностях использования техники. На все вопросы очень быстро находят ответы от таких же посетителей сайта, экспертов или администраторов. Вопрос можно задать как на форуме, так и в специальной форме на странице, где описывается интересующая вас техника.