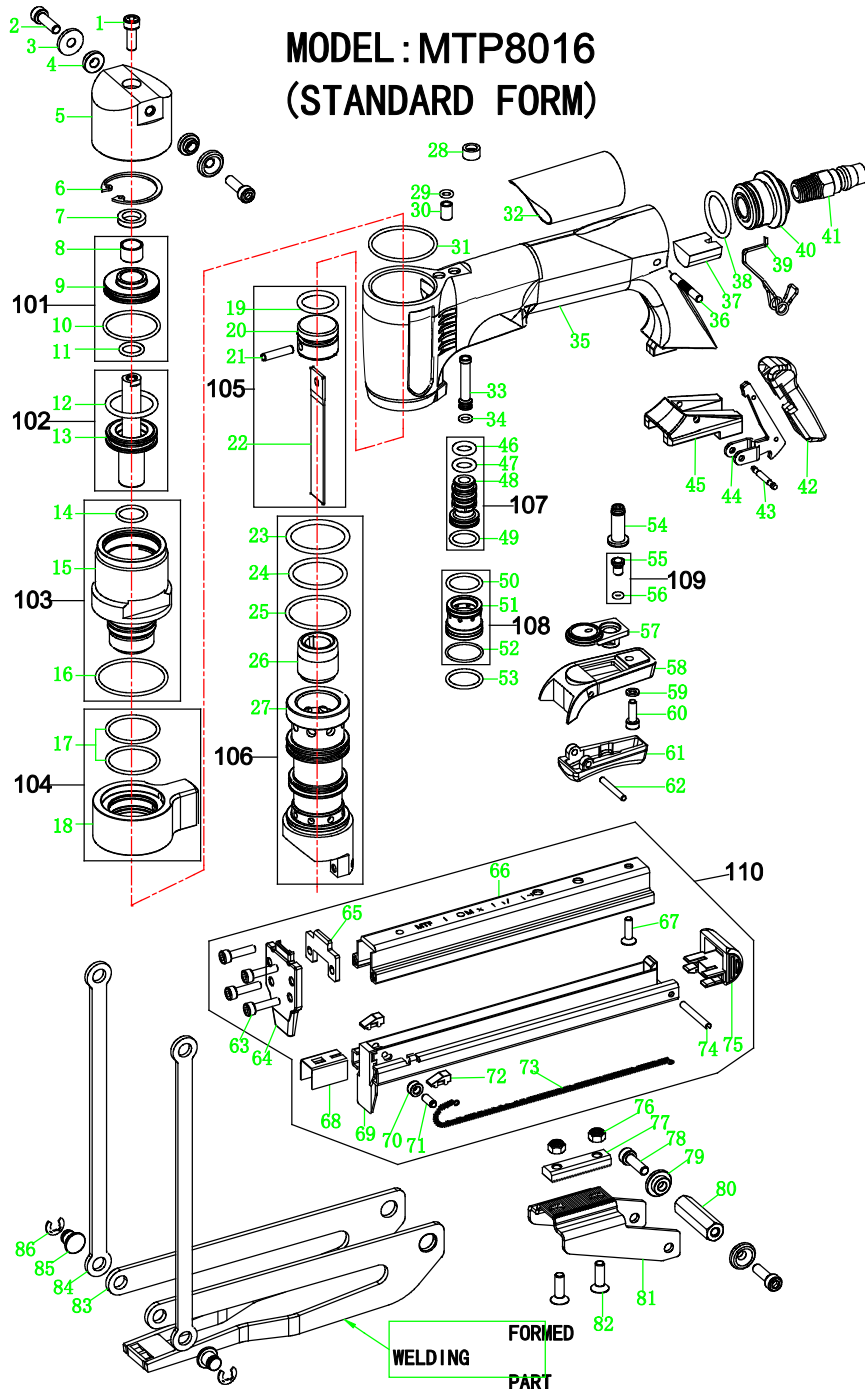


MODEL : MTP8016 (STANDARD FORM)



EXPLODED VIEW AND PARTS LIST

ITEM NO.	PART NO.	PART NAME	Q' TY	ITEM NO.	PART NO.	PART NAME	Q' TY
1	AA33N-026A	FIXED LID SCREW	1	51	AA33J-010A	ACTIVE VALVE PISTON	1
2	B01-01-050160-02	SCREW	2	52	B08-016000130	O-RING	1
3	AA33N-019A	CONNECTING ROD GASKET II	2	▲53	B08-016400180	O-RING	1
4	AA33N-018A	CONNECTING ROD GASKET I	2	54	AA33J-011A	AIR CONDUIT	1
5	AA33N-009A	CONNECTING ROD LID	1	55	AA33J-012A	THIMBLE	1
6	B03-05-0320-02	CIRCLIP	1	▲56	B08-002500180	O-RING	1
▲7	AA33N-006A	UPPER BUMPER	1	57	AA33J-013A	VALVE	1
8	AA33N-008A	UPPER COVER SLEEVE	1	58	AA33J-014A	VALVE COVER	1
9	AA33N-007A	UPPER COVER	1	59	B04-02-040-01	PLAIN WASHER	1
▲10	B08-026700178	O-RING	1	60	B01-01-040120-02	SCREW	1
▲11	B08-009800190	O-RING	1	61	AA33J-015A	TRIGGER	1
▲12	B08-023000265	O-RING	1	62	AA33J-039A	TRIGGER PIN	1
13	AA33N-005A	UPPER PISTON	1	63	B01-01-040160-02-NL	SCREW	4
▲14	B08-013400180	O-RING	1	64	AA33J-026B	MUZZLE COVER	1
15	AA33N-004A	UPPER CYLINDER	1	65	AA33J-025A	SHIM	1
16	B08-035500180	O-RING	1	66	AA33N-027A	NAIL TROUGH	1
▲17	B08-025700180	O-RING	2	67	B01-02-040120-02-NL	SCREW	1
18	AA33N-003A	HEIGHTEN PART	1	▲68	AA33J-035A	PUSHER	1
▲19	B08-017120262	O-RING	1	69	AA33J-Y13A1	PROPELLENT SOLDER	1
20	AA33J-004A	DRIVER HEAD	1	70	AA33J-033A	PULLEY	1
21	AA09B-034A	RIVET	1	71	AA33J-034A	AXLE TREE	1
▲22	AA33N-028A	DRIVER	1	72	AA33J-032A	STOP BLOCK	2
23	B08-029000265	O-RING	1	▲73	AA33J-038A	SPRING	1
24	B08-026800240	O-RING	1	74	B02-030280-02	ROLL PIN	1
25	B08-031000200	O-RING	1	75	AA33J-036A	END PIECE	1
▲26	AA33N-010A	BUMPER	1	76	B07-01-050-00	LOCKNUT	2
27	AA33N-002A	CYLINDER	1	77	AA33N-016A	PRESSURE PLATE	1
▲28	AA33N-014A	SEALING RING	1	78	B01-01-050160-02	SCREW	2
29	B08-004500150	O-RING	1	79	AA33N-025A	FIXED GASKET	2
30	AA33N-013A	AIR CONDUIT II	1	80	AA33N-024A	FIXED LINK	1
31	B08-033500180	O-RING	1	81	AA33N-015A	FIXED BASE	1
32	GG07A	SHEATH	1	82	B01-02-050160-02	SCREW	2
33	AA33N-012A	AIR CONDUIT I	1	83	AA33N-Y14A1	FORMED WELDING PART A1	1
▲34	B08-004000150	O-RING	1	84	AA33N-017A	CONNECTING ROD	2
35	AA33N-001A	BODY	1	85	AA33N-023A	JOINT LEVER	2
36	AA33J-017A	RIVET	1	86	B03-01-0060-02	CIRCLIP	2
37	AA33J-018A	SILENCER	1	87			
38	B08-021000250	O-RING	1	88			
39	AA33J-019A	LEG SPRING	1				
40	AA33J-016A	TAIL CAP	1				
41	AA06A-018A	AIR HOSE CONNECTOR	1	101	AA33N-Y07A1	UPPER COVER SET	1
42	AA33J-022A	FASTENER TRIGGER	1	102	AA33N-Y08A1	UPPER PISTON SET	1
43	AA33J-024A	FASTENER PIN	1	103	AA33N-Y05A1	UPPER CYLINDER SET	1
44	AA33J-Y09A1	LOCKING PAWL	1	104	AA33N-Y04A1	HEIGHTEN PART SET	1
45	AA33J-023A	FASTENER COVER	1	▲105	AA33N-Y03A1	DRIVER SET	1
▲46	B08-007600262-10	O-RING	1	106	AA33N-Y01A1	CYLINDER SET	1
▲47	B08-008000250	O-RING	1	▲107	AA33 N-Y10A1	ACTIVE VALVE SET	1
48	AA33N-011A	ACTIVE VALVE	1	108	AA33J-Y06A1	ACTIVE VALVE PISTON SET	1
▲49	B08-012500180	O-RING	1	109	AA33J-Y07A1	SHIMBLE SET	1
50	B08-015600178	O-RING	1	110	AA33N-Y13A1	MAGAZINE SET	1

Remark: Items with "▲" are vulnerable parts

GBA33N00301
A2