

# MODEL RS 30

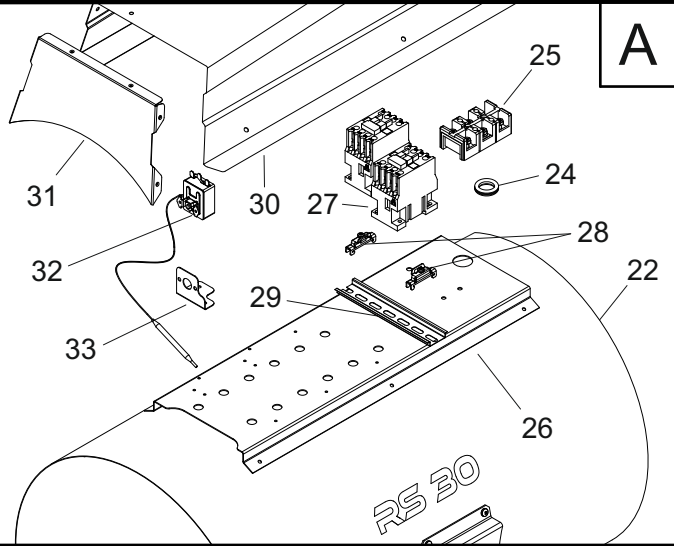
UNIT 1

ILLUSTRATED PARTS BREAKDOWN

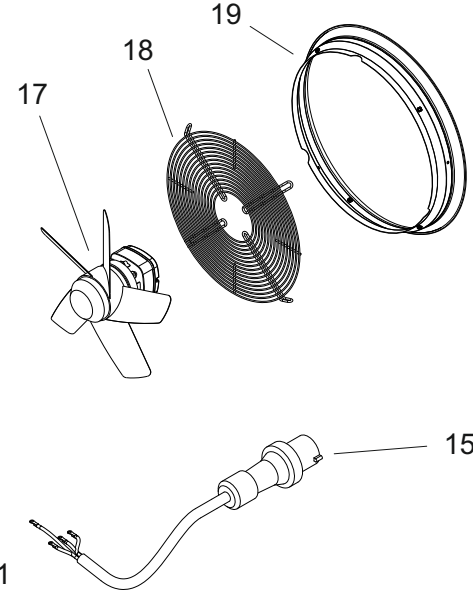
Rev.A - Nov. 2016

From Serial Number : 08C36023079

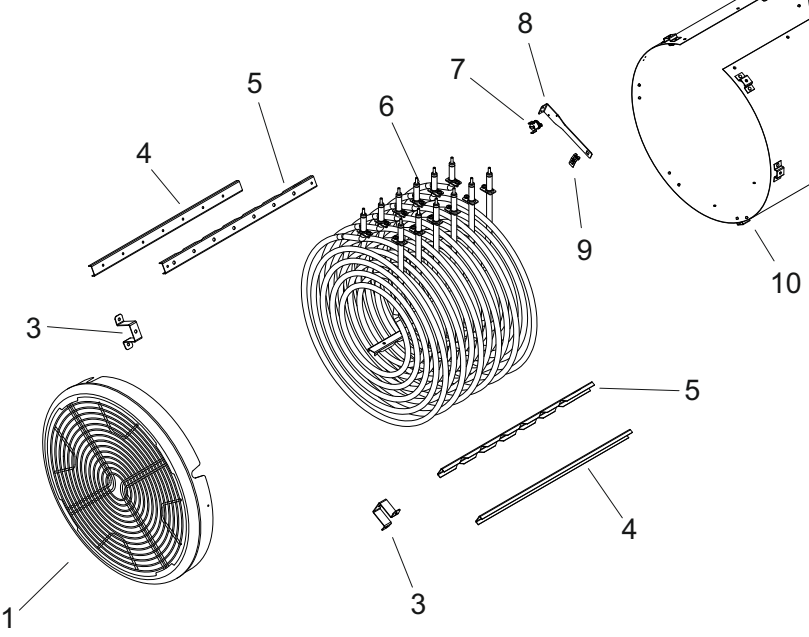
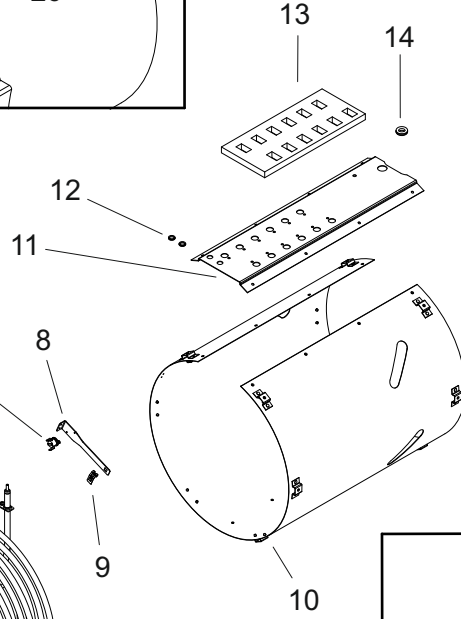
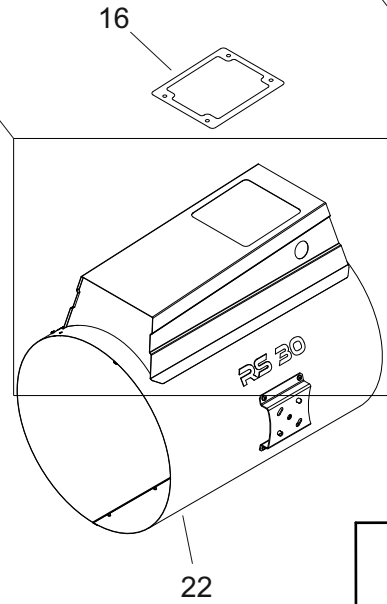
**A**



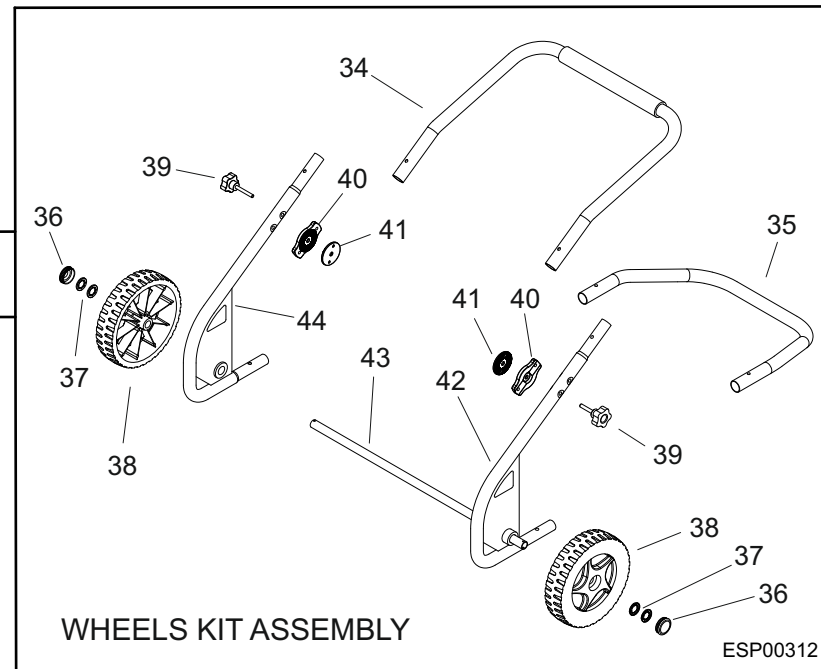
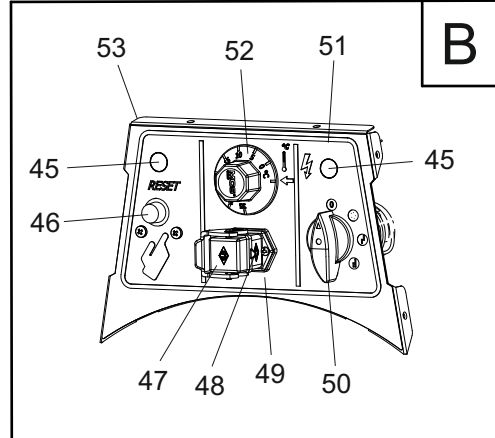
**B**



**A**



**B**



WHEELS KIT ASSEMBLY

ESP00312

# MODEL RS 30

UNIT 2

PARTS LIST

POS.	Code NR	Description	Rev.A - Nov. 2016
1	4210.054	ANTERIOR RING	
2	4210.116	RESISTANCE FIXING PROFILE INT.	
3	4210.189	RESISTANCE COMB	
4	4210.068	FIXING PROFILE	
5	4210.112	FIXING PROFILE COMB	
6	4260.256	RESISTANCE 5 kW	
7	4260.132	AUTOMATIC THERMOSTAT	
8	4210.170	AUTOMATIC THERMOSTAT BRACKET	
9	4260.131	BULB CLIP	
10	4210.061	COMBUSTION CHAMBER	
11	4210.166	RESISTANCES LOWER SUPPORT	
12	4290.136	CABLE FEEDTHROUGH Ø10	
13	4210.024	INSULATING MAT	
14	4290.052	CABLE FEEDTHROUGH Ø18	
15	4210.194	POWER CORD 63A	
16	4210.059	COVER PLATE	
17	4260.096	MOTOR + FAN	
18	4210.152	MOTOR GRILL	
19	4210.151	REAR RING	
20	4290.032	POWER CORD LOCKNUT	
21	4290.089	STRAIN RELIEF BUSHING	
22	4210.015	SHELL	
24	4290.003	CABLE FEEDTHROUGH Ø25	
25	4260.129	TERMINAL BLOCK	
26	4210.020	RESISTANCES UPPER SUPPORT	
27	4260.097	CONTACTOR 18A	
28	4260.175	BLOCK	
29	4290.125	RAIL	
30	4210.051	COVER	
31	4210.034	FRONT PLATE	
32	4260.130	SAFETY THERMOSTAT	
33	4210.076	SAFETY THERMOSTAT BRACKET	
34	4210.115	HANDLE	
35	4210.128	FOOT	
36	4111.480	WHEEL CAP	
37	4111.072	BLOCK WASHER	
38	4032.094	WHEEL	
39	4290.240	SCREW KNOB	
40	4210.202	ANGLE ADJUSTMENT SUPPORT	
41	4210.203	ANGLE ADJUSTMENT DISK	
42	4210.120	WHEELS SUPPORT - DX	
43	4210.215	WHEELS AXLE	
44	4210.124	WHEELS SUPPORT - SX	
45	4260.112	INDICATOR LIGHT	
46	4260.111	MANUAL RESET THERMOSTAT	
47	4162.467	THERMOSTAT CAP	
48	4161.400	THERMOSTAT PLUG	
49	4514.611	THERMOSTAT SOCKET	
50	4260.176	ROTARY SWITCH	
51	4210.074	CONTROL PANEL LABEL	
52	4260.140	THERMOSTAT	
53	4210.035	CONTROL PANEL	

# MODEL RS 30

UNIT 1

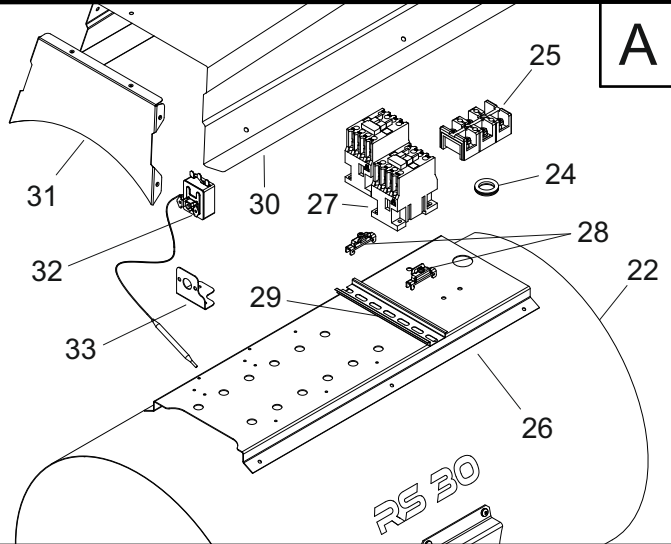
ILLUSTRATED PARTS BREAKDOWN

Rev.- - Apr. 2014

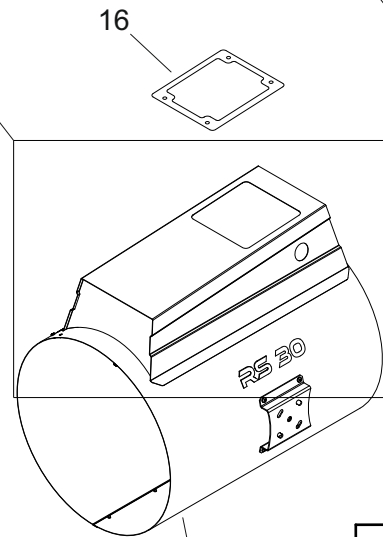
A

From Serial Number : 23C34000001

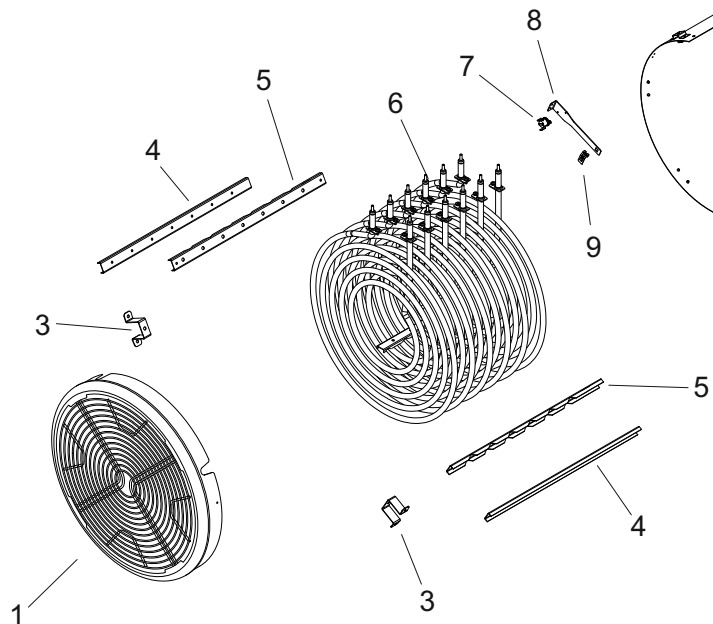
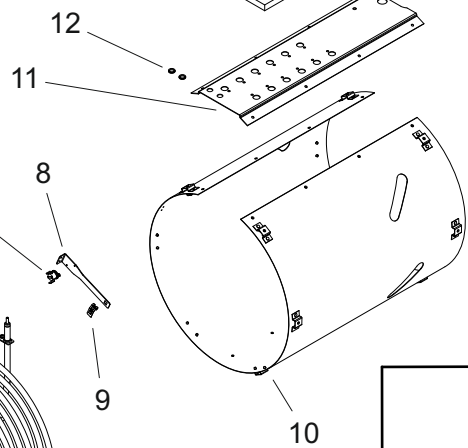
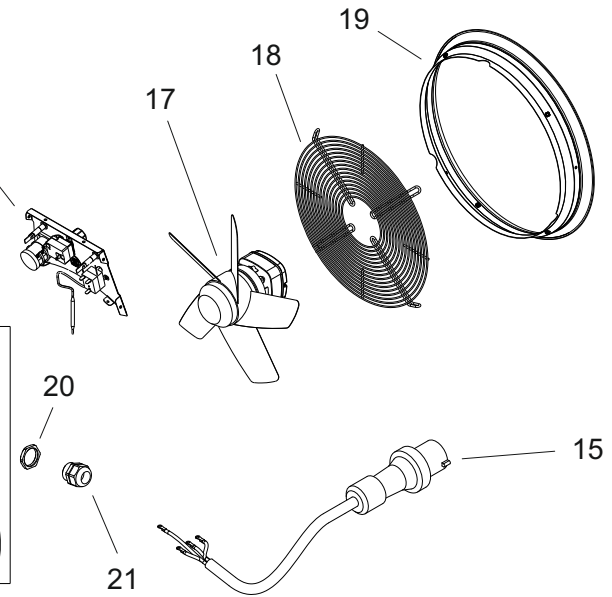
Until Serial Number : 08C36023079



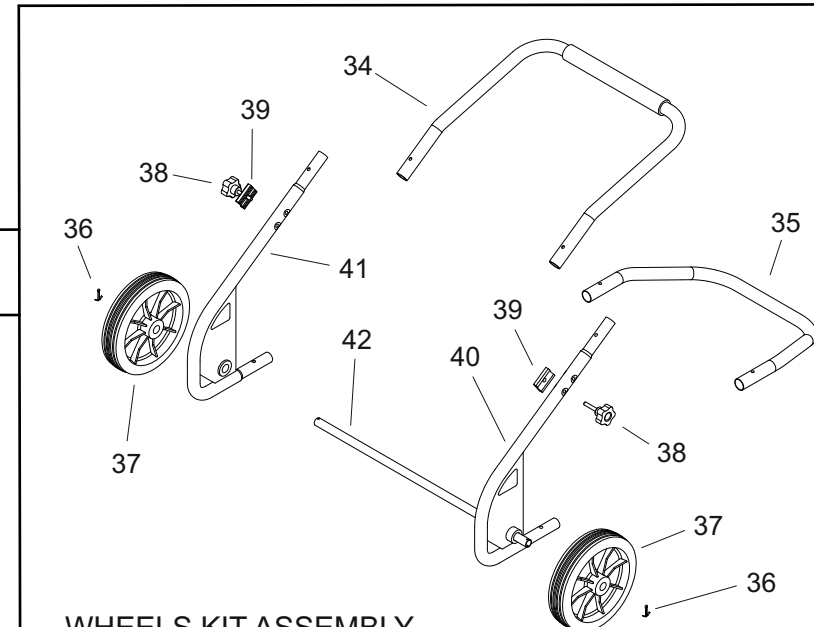
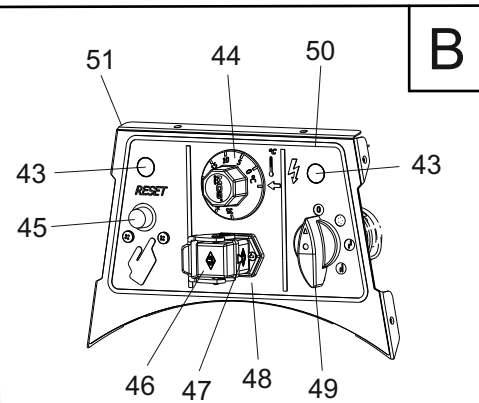
A



B



B



WHEELS KIT ASSEMBLY

ESP00312

# MODEL RS 30

UNIT 2

PARTS LIST

POS.	Code NR	Description	Rev. - - Apr. 2014
1	4210.054	ANTERIOR RING	
2	4210.116	RESISTANCE FIXING PROFILE INT.	
3	4210.189	RESISTANCE COMB	
4	4210.068	FIXING PROFILE	
5	4210.112	FIXING PROFILE COMB	
6	4260.098	RESISTANCE 5 kW	
7	4260.132	AUTOMATIC THERMOSTAT	
8	4210.170	AUTOMATIC THERMOSTAT BRACKET	
9	4260.131	BULB CLIP	
10	4210.061	COMBUSTION CHAMBER	
11	4210.166	RESISTANCES LOWER SUPPORT	
12	4290.136	CABLE FEEDTHROUGH Ø10	
13	4210.024	INSULATING MAT	
14	4290.052	CABLE FEEDTHROUGH Ø18	
15	4210.194	POWER CORD 63A	
16	4210.059	COVER PLATE	
17	4260.	MOTOR + FAN	
18	4210.152	MOTOR GRILL	
19	4210.151	REAR RING	
20	4290.032	POWER CORD LOCKNUT	
21	4290.089	STRAIN RELIEF BUSHING	
22	4210.015	SHELL	
24	4290.003	CABLE FEEDTHROUGH Ø25	
25	4260.129	TERMINAL BLOCK	
26	4210.020	RESISTANCES UPPER SUPPORT	
27	4260.097	CONTACTOR 18A	
28	4260.175	BLOCK	
29	4290.125	RAIL	
30	4210.051	COVER	
31	4210.034	FRONT PLATE	
32	4260.130	SAFETY THERMOSTAT	
33	4210.076	SAFETY THERMOSTAT BRACKET	
34	4210.115	HANDLE	
35	4210.128	FOOT	
36	4290.167	SPLINT PIN	
37	4260.169	WHEEL	
38	4290.075	KNOB	
39	4210.052	SPACER	
40	4210.120	WHEEL SUPPORT DX	
41	4210.124	WHEEL SUPPORT SX	
42	4210.126	WHEELS AXLE	
43	4260.112	INDICATOR LIGHT	
44	4260.140	THERMOSTAT	
45	4260.111	MANUAL RESET THERMOSTAT	
46	4260.168	CAP	
47	4260.167	SOCKET	
48	4260.166	CONNECTION	
49	4260.176	ROTARY SWITCH	
50	4210.074	PANEL LABEL	
51	4210.035	CONTROL PANEL	