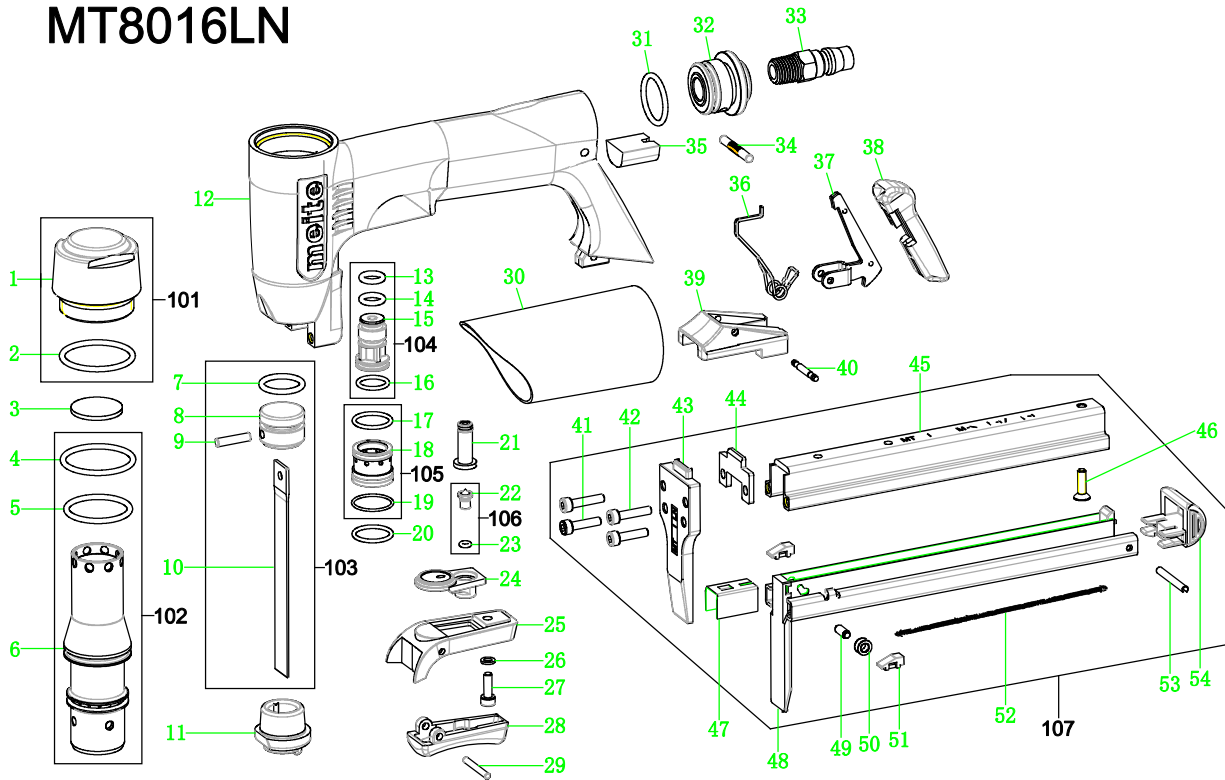


# SERIES EXPLODED VIEWS OF NAILER

## MT8016LN



ITEM NO.	PART NO.	PART NAME	Q' TY	ITEM NO.	PART NO.	PART NAME	Q' TY
1	AA33L-002A	EXHAUST COVER	1	33	AA06A-018A	AIR HOSE CONNECTOR	1
2	B08-031420262	O-RING	1	34	AA33J-017A	RIVET	1
3	AA33L-003A	AIRPROOF CUSHION	1	35	AA33J-018A	SILENCER	1
4	B08-026640262	O-RING	1	36	AA33J-019A	LEG SPRING	1
5	B08-025070262	O-RING	1	37	AA33J-Y09A1	LOCKING PAWL	1
6	AA33L-004A	CYLINDER	1	38	AA33J-022A	FASTENER TRIGGER	1
7	B08-017120262	O-RING	1	39	AA33J-023A	FASTENER COVER	1
8	AA33J-004A	DRIVER HEAD	1	40	AA33J-024A	FASTENER PIN	1
9	AA09B-034A	RIVET	1	41	B01-01-040160-02-NL	SCREW	2
10	AA33L-005A	DRIVER	1	42	B01-01-040180-02-NL	SCREW	2
11	AA33J-007B	BUMPER	1	43	AA33L-006A	MUZZLE COVER	1
12	AA33L-001A	BODY	1	44	AA33J-025A	SHIM	1
13	B08-007600262-10	O-RING	1	45	AA33J-027A	NAIL TROUGH	1
14	B08-008000250	O-RING	1	46	B01-02-040120-02-NL	FLAT SCREW	1
15	AA33J-009A	ACTIVE VALVE	1	47	AA33J-035A	PUSHER	1
16	B08-012500180	O-RING	1	48	AA33L-Y08A1	PROPELLENT SOLDER	1
17	B08-016000180	O-RING	1	49	AA33J-034A	AXLETREE	1
18	AA33J-010A	ACTIVE VALVE PISTON	1	50	AA33J-033A	PULLEY	1
19	B08-016000130	O-RING	1	51	AA33J-032A	STOP BLOCK	2
20	B08-016400180	O-RING	1	52	AA33J-038A	SPRING	1
21	AA33J-011A	AIR CONDUIT	1	53	B02-030280-02	ROLL PIN	1
22	AA33J-012A	THIMBLE	1	54	AA33J-036A	END PIECE	1
23	B08-002500180	O-RING	1				
24	AA33J-013A	VALVE	1				
25	AA33J-014A	VALVE COVER	1				
26	B04-02-040-01	PLAIN WASHER	1	101	AA33L-Y01A1	EXHAUST COVER SET	
27	B01-01-040120-02	SCREW	1	102	AA33L-Y02A1	CYLINDER SET	
28	AA33J-015A	TRIGGER	1	103	AA33L-Y03A1	DRIVER SET	
29	AA33J-039A	TRIGGER PIN	1	104	AA33J-Y05A1	ACTIVE VALVE SET	
30	GG07A	SHEATH	1	105	AA33J-Y06A1	ACTIVE VALVE PISTON SET	
31	B08-021000250	O-RING	1	106	AA33J-Y07A1	SHIMBLE SET	
32	AA33J-016A	TAIL CAP	1	107	AA33L-Y10A1	MAGAZINE SET	