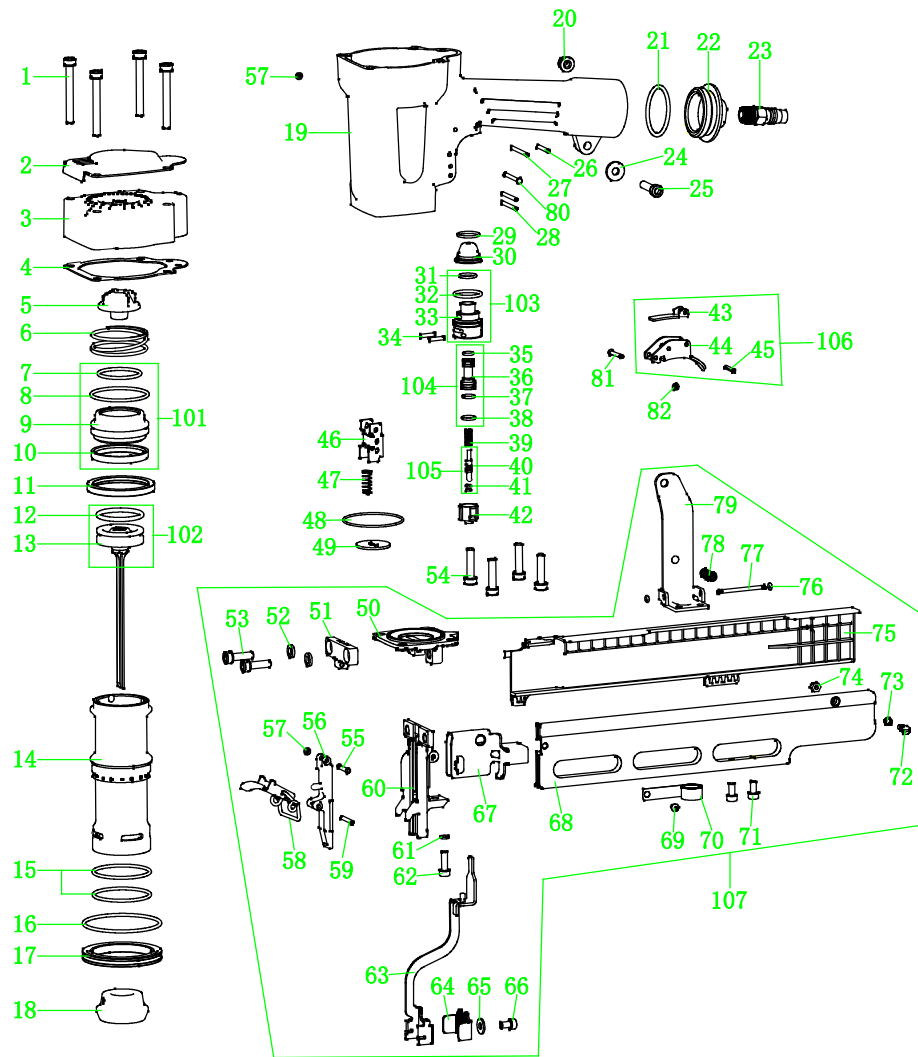


# EXPLODED VIEW AND PARTS LIST

## MODEL:N851-L



ITEM NO.	PART NO.	PART NAME	Q' TY	ITEM NO.	PART NO.	PART NAME	Q' TY
1	B01-01-060500-02	SCREW	4	47	AN03A-045A	SPING	1
2	AN02A-004A	EHAUST COVER	1	48	B08-047000150	O-RING	1
3	AN02A-Y06A1	CYLINDER CAP	1	49	AN03A-037A	GAG	1
4	AN02A-003A	CYLINDER CAP SHIM	1	50	AN02A-017A	MUZZEL BASE	1
5	AN02A-006A	AIRPROOF CUSHION	1	51	AN03A-039A	MUZZLE OPPRESSOR	1
6	AN02A-005A	SPING	1	52	B04-01-060-02	SPRING WASHER	2
▲7	B08-032990262	O-RING	1	53	B01-01-060200-02-NL	SCREW	2
▲8	B08-043000260	O-RING	1	54	B01-01-060250-02-NL	SCREW	4
9	AN02A-007A	ACTIVE VALVE	1	55	AN03A-043A	PIN	1
10	AN02A-008A	ACTIVE VALVE SHIM	1	56	AN02A-020A	MUZZEL COVER	1
11	AN02A-012A	RETAINER RING	1	57	AA12C-006A	RUBBER JACKER	2
▲12	B08-033700350	O-RING	1	▲58	AN03A-Y15A1	MUZZEL FASTEN SET	1
▲13	AN02A-Y04A1	DRIVER	1	59	B02-030220-02	ROLL PIN	1
14	AN02A-011A	CYLINDER	1	60	AN02A-018A	MUZZEL	1
15	B08-043000260	O-RING	2	61	B04-01-050-02	SPRING WASHER	1
16	B08-060000262	O-RING	1	62	B01-01-050160-02	SCREW	1
17	AN02A-014A	CYLINDER RING	1	63	AN02A-Y10A1	SAFETY	1
▲18	AN02A-013A	BUMPER	1	64	AN02A-023A	SAFETY ADJUSTER	1
19	AN02A-002A	BODY	1	65	B04-02-050-01	FLAT WASHER	1
20	B07-01-060-00	NUT	1	66	B01-01-050060-02	SCREW	1
21	B08-037500300	O-RING	1	67	AN03A-044A	PUSHER	1
22	AA40A-070A	TAIL CAP	1	68	AN03A-Y16A1	NAIL ORIENT	1
23	AA06A-018A	AIR HOSE CONNECTOR	1	▲69	B01-06-040050-02-NL	SCREW	1
24	AA40A-056A	FLAT WASHER	1	▲70	AN03A-038A	WINDING SPRING	1
25	B01-01-060250-02	SCREW	1	71	B01-01-050100-0-02	SCREW	1
26	B02-030220-02	ROLL PIN	1	72	AN03A-050A	SHUTOFF	1
27	B02-030300-02	ROLL PIN	1	73	AN03A-051A	SPING	1
28	B02-030280-02	ROLL PIN	2	74	B07-01-040-00	NUT	1
29	B08-016000180	O-RING	1	75	AN03A-046A	NAIL PROTECTOR	1
30	AN02A-024A	VALVE COVER	1	76	B08-002000200	O-RING	2
31	B08-011800180	O-RING	1	77	AN03A-047A	PIN	1
32	B08-019600240	O-RING	1	78	AN03A-049A	SPING	1
33	AN02A-025A	VALVE	1	79	AN02A-010A	LINK	1
34	AA42A-043A	VALVE PIN	2	80	AN03A-053A	TRIGGER PIN	1
35	B08-005800190 -10	O-RING	1	81	AN03A-054A	PIN	1
36	AA17D-006A	VALVE PISTON	1	82	AA12C-006A	RUBBER JACKER	1
37	B08-005800190-10	O-RING	1				
38	B08-008800190	O-RING	1				
39	AA40A-062A	SPING	1	101	AN02A-Y01A1	ACTIVE VALVE set	
▲40	AA17D-007A	THIMBLE	1	102	AN02A-Y02A1	DRIVER SET	
41	B08-002500140 -02	O-RING	2	103	AN02A-Y14A1	VALVE SET	
42	AA42A-041A	THIMBLE COVER	1	104	AA17D-Y05A1	VALVE PISTON SET	
43	AN02A-016A	TRIGGER PIECE	1	105	AA17D-Y06A1	THIMBLE SET	
44	AN02A-015A	TRIGGER	1	106	AN02A-Y11A1	TRIGGER SET	
45	B02-030160-02	ROLL PIN	1	107	AN02A-Y09A1	MAGAZINE SET	
46	AN02A-021A	SAFETY ORIENT	1				

Remark: Items with "▲" are vulnerable parts

GBN02A00301  
A2