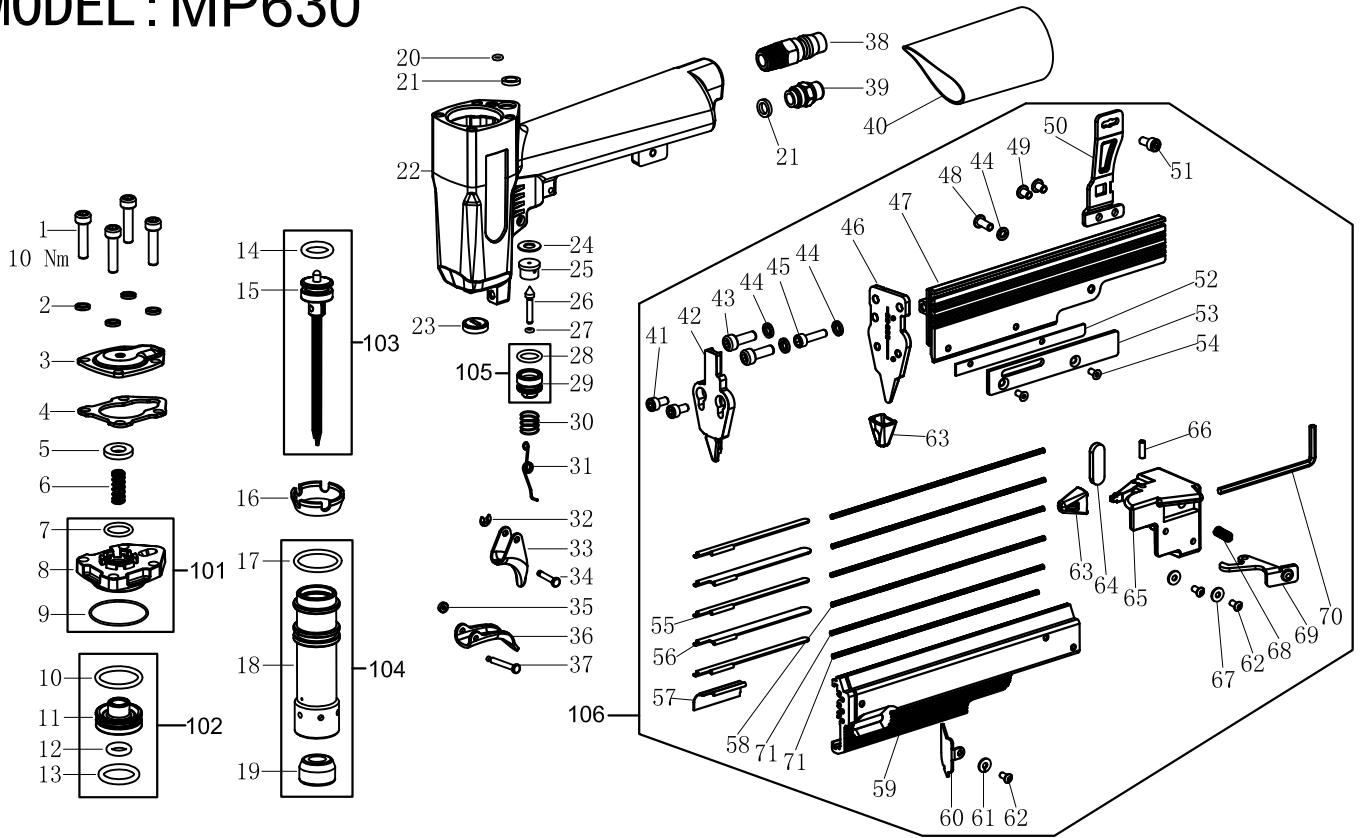


# EXPLODED VIEW AND PARTS LIST

MODEL : MP630



TEM NO	PART NO.	PART NAME	Q' TY	TEM NO	PART NO.	PART NAME	Q' TY
1	B01-01-050220-02	SCREW	4	▲41	B01-01-040080-02-NL	SCREW	2
2	B04-01-050-02	SPRING WASHER	4	42	AA05D-008A	MUZZLE COVER	1
3	AA02F-023A	CAP	1	43	B01-01-040140-02	SCREW	2
▲4	AA02F-024A	GASKET	1	44	B04-01-040-02	SPRING WASHER	3
▲5	AA02F-028A	AIRPROOF CUSHION	1	45	B01-01-040160-02-NL	FLAT SCREW	1
▲6	AA02F-026A	SPRING	1	46	AA05D-003B	MUZZLE	1
▲7	B08-012000200	O-RING	1	47	AA05D-004A	NAIL TROUGH	1
8	AA02F-022A	CYLINDER CAP	1	48	B01-06-040100-02	SCREW	1
▲9	B08-028500100	O-RING	1	49	B01-06-040060-02-NL	SCREW	2
▲10	B08-021500250	O-RING	1	50	AA02F-012A	LINK	1
11	AA02A-005B	ACTIVE VALVE	1	51	B01-01-040080-02	SCREW	1
▲12	B08-008000300	O-RING	1	52	AA02F-010A	NAIL ORIENT	1
▲13	B08-017000300	O-RING	1	53	AA02F-011A	NAIL ORIENT PLATE	1
▲14	B08-012000300	O-RING	1	54	B01-02-030060-02-NL	SCREW	2
▲15	AA05D-Y03A1	DRIVER	1	55	AA02F-015A	PUSHER I	3
16	AA02A-008A	RETAINER RING	1	56	AA02F-016A	PUSHER II	2
17	B08-021800240	O-RING	1	57	AA02F-017A	PUSHER III	1
18	AA05D-001A	CYLINDER	1	58	AA02F-018A	PUSHER SPRING I	4
▲19	AA02A-010A	BUMPER	1	59	AA05D-005A	NAIL PROPELLENT	1
▲20	B08-003000150	O-RING	1	60	AA05D-006A	PUSHER STOPPER	1
21	AA02F-025A	RUBBER PLAIN WASHER	2	61	B04-01-030-02	SPRING WASHER	1
22	AA05D-009A	BODY	1	62	B01-06-030060-02-NL	SCREW	3
23	AA82A-006A	GAG	1	63	AA83A-018A	NOSE PROTECTOR	2
24	AA06A-012A	VALVE SHIM	1	64	AA02F-001A	RUBBER MAT	1
25	AA06A-013A	VALVE	1	65	AA05D-007A	RETAINER	1
26	AA06A-014B	THIMBLE	1	66	B02-030100-02	ROLL PIN	1
▲27	B08-002000150	O-RING	1	67	B04-02-030-02	PLAIN WASHER	2
28	B08-010000200	O-RING	1	68	AA02F-021A	SPRING	1
29	AA06A-015A	VALVE CAP	1	69	AA02F-020A	LOCKING PAWL	1
30	AA06A-016A	SPRING	1	70	T12-01-030-03	INTERNAL HEX WRENCH	1
31	AA02F-031A	TORSIONAL SPRING	1	71	AA02F-032A	PUSHER SPRING II	2
32	B03-01-0025-02	E-RING	1	72			
33	AA02F-033A	SAFETY	1	73			
34	B05-028125-04	PIN	1				
35	AA12C-006A	RUBBER SLEEVE	1	101	AA02F-Y08A1	CYLINDER CAP SET	
36	AA02A-014A	TRIGGER	1	▲102	AA02A-Y07A2	ACTIVE VALVE SET	
37	AA02F-029A	PIN	1	▲103	AA05D-Y02A1	DRIVER SET	
38	AA06A-018A	AIR HOSE CONNECTOR	1	104	AA05D-Y01A1	CYLINDER SET	
39	AA02F-030A	SILENCER	1	105	AA06A-Y11A1	VALVE CAP SET	
40	GG07A	SHEATH	1	106	AA05D-Y08A2	MAGAZINE SET	

Remark: Items with "▲" are vulnerable parts

GBA05D00302 A1