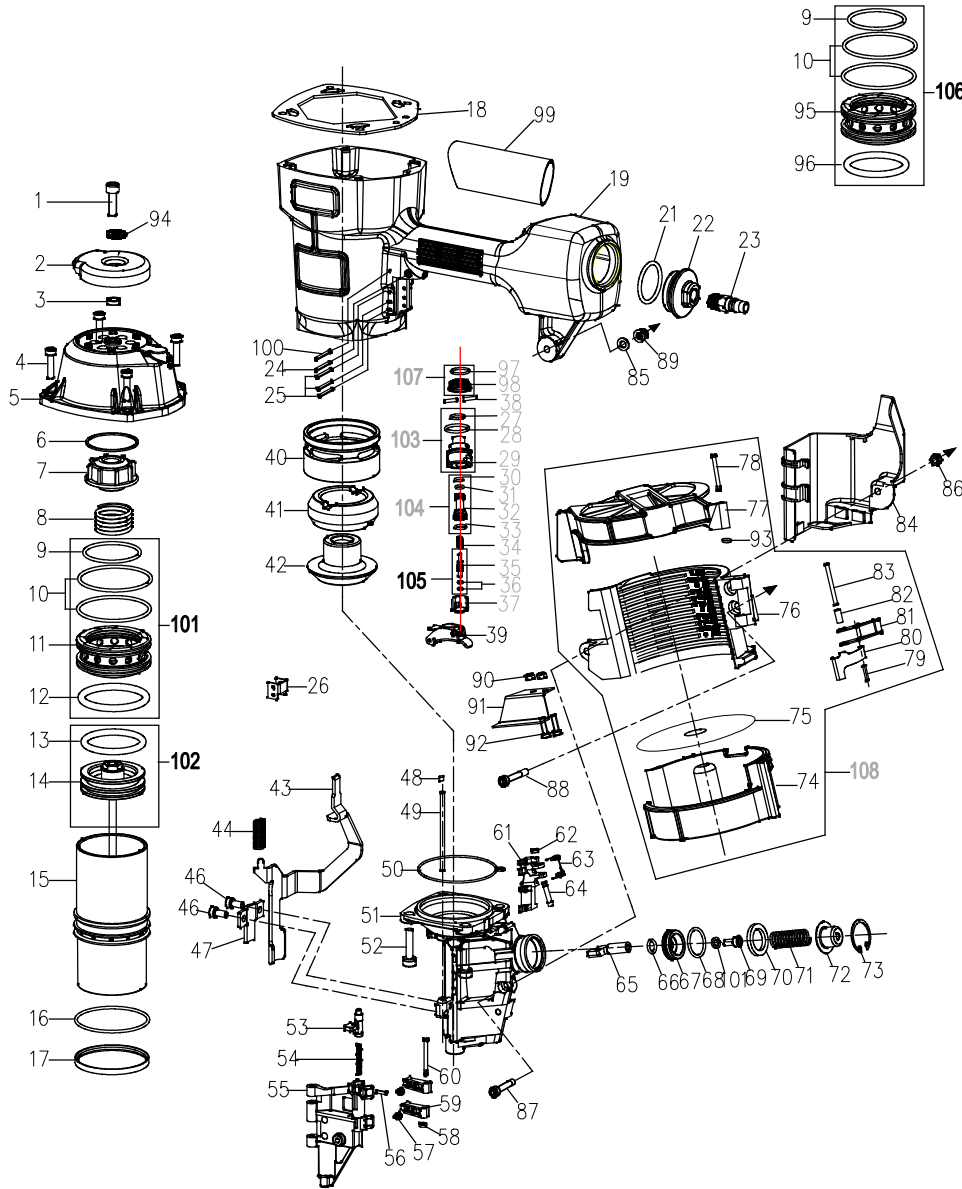


EXPLODED VIEW AND PARTS LIST

审核一	审核二	批准

MODEL:CN100



ITEM	PART NO	PART NAME	Q' TY	ITEM	PART NO	PART NAME	Q' TY
1	B01-01-080250-02	SCREW	1	58	AA40A-054A	O-RING	1
2	AA57A-009A	EXHAUST COVER	1	59	AA42A-028A	CHECK PAWL	2
3	AA57A-008A	EXHAUST COVER SHIM	1	60	AA57A-025A	PIN	1
4	B01-01-060300-02	SCREW	4	61	AA57A-028A	FEED PAWL	1
5	AA57A-Y11A1	CYLINDER CAP	1	62	AA40A-054A	O-RING	1
6	AA57A-006A	GASKET	1	▲63	AA57A-010A	TORSTON SPRING	1
7	AA57A-005A	AIRPROOF CUSHION	1	64	AA40A-032A	PIN	1
8	AA57A-007A	SPRING	1	65	AA57A-027A	PISTON STAFF	1
▲9	B08-052000300	O-RING	1	▲66	B08-009800240	O-RING	1
▲10	B08-068000300	O-RING	2	67	AA57A-026A	PISTON	1
11	AA57A-003B	ACTIVE VALVE	1	▲68	B08-025070262	O-RING	1
▲12	B08-063000355	O-RING	1	▲69	B01-01-060160-02-NL	SCREW	1
▲13	B08-052000640	O-RING	1	70	AA57A-029A	FEED PISTON STOP	1
14	AA57A-Y08A2	DRIVER	1	71	AA57A-031A	SPRING	1
15	AA57A-011A	CYLINDER	1	72	AA57A-030A	FEED PISTON BAFFLE	1
▲16	B08-069000265	O-RING	1	73	B03-05-0320-02	CIRCLIP	1
17	AA57A-012A	UNILATERAL RINGER	1	74	AA42A-030A	NAIL SUPPORT	1
▲18	AA57A-001A	CYLINDER CAP SHIM	1	75	AA42A-039A	METAL GASKET	1
19	AA57A-019A	BODY	1	76	AA57A-036A	MAGAZINE	1
21	B08-035700350	O-RING	1	77	AA42A-031A	MAGAZINE COVER	1
22	AA57A-037A	TAIL CAP	1	78	AA42A-032A	MAGAZINE PIN	1
23	AK01A-023A	AIR PLUG	1	79	B02-030160-02	SPRING PIN	1
24	B02-030240-02	SPRING PIN	1	80	AA42A-033A	FASTENER	1
25	B02-030270-02	SPRING PIN	3	81	AA42A-034A	FASTENER SEAT	1
26	AA42A-019A	SAFETY GUIDE	1	82	AA42A-036A	BUSHING	1
▲27	B08-011800180	O-RING	1	83	B02-030420-02	SPRING PIN	1
▲28	B08-019600240	O-RING	1	84	AA57A-034A	MUZZLE COVER	1
29	AA42A-042A	VALVE SLEEVE	1	85	AA40A-056A	FLAT WASHER	1
▲30	B08-005800190-10	O-RING	1	86	B07-01-060-00	LOCKNUT	1
▲31	B08-005800190-10	O-RING	1	87	B01-01-060300-02	SCREW	1
32	AA17D-006A	VALVE	1	88	B01-01-060350-02	SCREW	1
▲33	B08-008800190	O-RING	1	89	B07-01-060-00	LOCKNUT	1
34	AA40A-062A	SPRING	1	90	B07-01-050-00	LOCKNUT	2
35	AA17D-007A	THIMBLE	1	91	AA57A-018A	NAIL GUIDE	1
▲36	B08-002500140	O-RING	2	92	B01-01-050120-02	SCREW	2
37	AA42A-041A	THIMBLE COVER	1	93	B08-003500200	O-RING	1
38	AA42A-043A	TRIGGER PIN	2	94	B04-01-080-02	SPRING WASHER	1
39	AA40A-Y14A1	TRIGGER SET	1	95	AA57A-003C	ACTIVE VALVE	1
40	AA57A-013A	CYLINDER RETAINER	1	96	B08-063000355	O-RING	1
▲41	AA57A-014A	BUMPER I	1	▲97	B08-016000180	O-RING	1
▲42	AA57A-015A	BUMPER II	1	98	AA40A-039A	TRIGGER COVER	1
43	AA57A-033A	SAFETY	1	99	GG08A	SHEATH	1
44	AA57A-021A	SPRING	1	100	B02-030320-02	SPRING PIN	1
46	B01-01-060120-02	SCREW	2	101	B04-01-060-02	SPRING WASHER	1
47	AA57A-032A	SAFETY LIMITR	1				
48	AA42A-017A	STOPGAP	1				
49	AA57A-022A	PIN	1				
50	AA57A-023A	O-RING	1	101	AA57A-Y02A2	ACTIVE VALVE SET	
51	AA57A-020A	MUZZLE	1	▲102	AA57A-Y04A2	DRIVER SET	
52	B01-01-080300-02-NL	SCREW	4	103	AA42A-Y14A1	VALVE SET	
53	AA40A-023A	DOOR LATCH	1	104	AA17D-Y05A1	VALVE SET	
54	AA57A-035A	SPRING	1	105	AA17D-Y06A1	THIMBLE SET	
55	AA57A-024A	DOOR	1	106	AA57A-Y02A3	ACTIVE VALVE SET	
56	B02-030120-02	SPRING PIN	1	107	AA40A-Y15A1	VALVE SET	
57	AA40A-055A	SPRING	2	108	AA57A-Y10A1	NAIL BOX DEPARTMENT	

Remark:Items with "▲" arevulnerable parts

GBA57A00301 A6