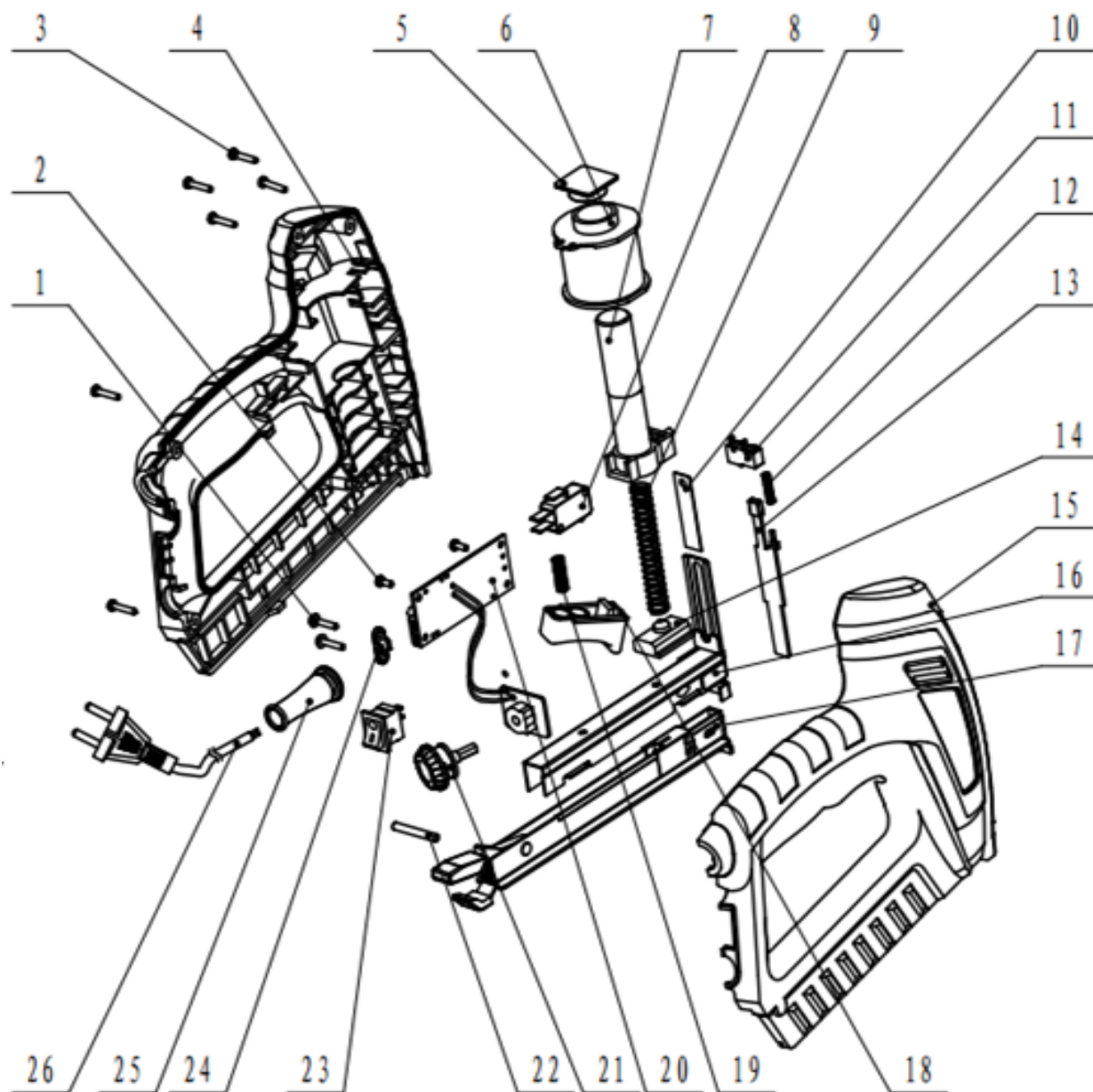


# Детализировка и лист запасных частей FROSP F3225E



Part No.	Part Name
1.	screw
2.	screw
3.	screw
4.	left housing
5.	bumper
6.	coil stack assembly
7.	iron core assembly
8.	main switch
9.	iron core spring
10.	firing pin
11.	safety switch
12.	humper spring
13.	humper assembly
14.	bumper
15.	right housing
16.	firing pin guide groove assembly
17.	magazine assembly
18.	trigger
19.	trigger spring
20.	PCB
21.	control knob
22.	guide rail dowel pin
23.	power switch
24.	cord guard
25.	cord bushing
26.	cordset