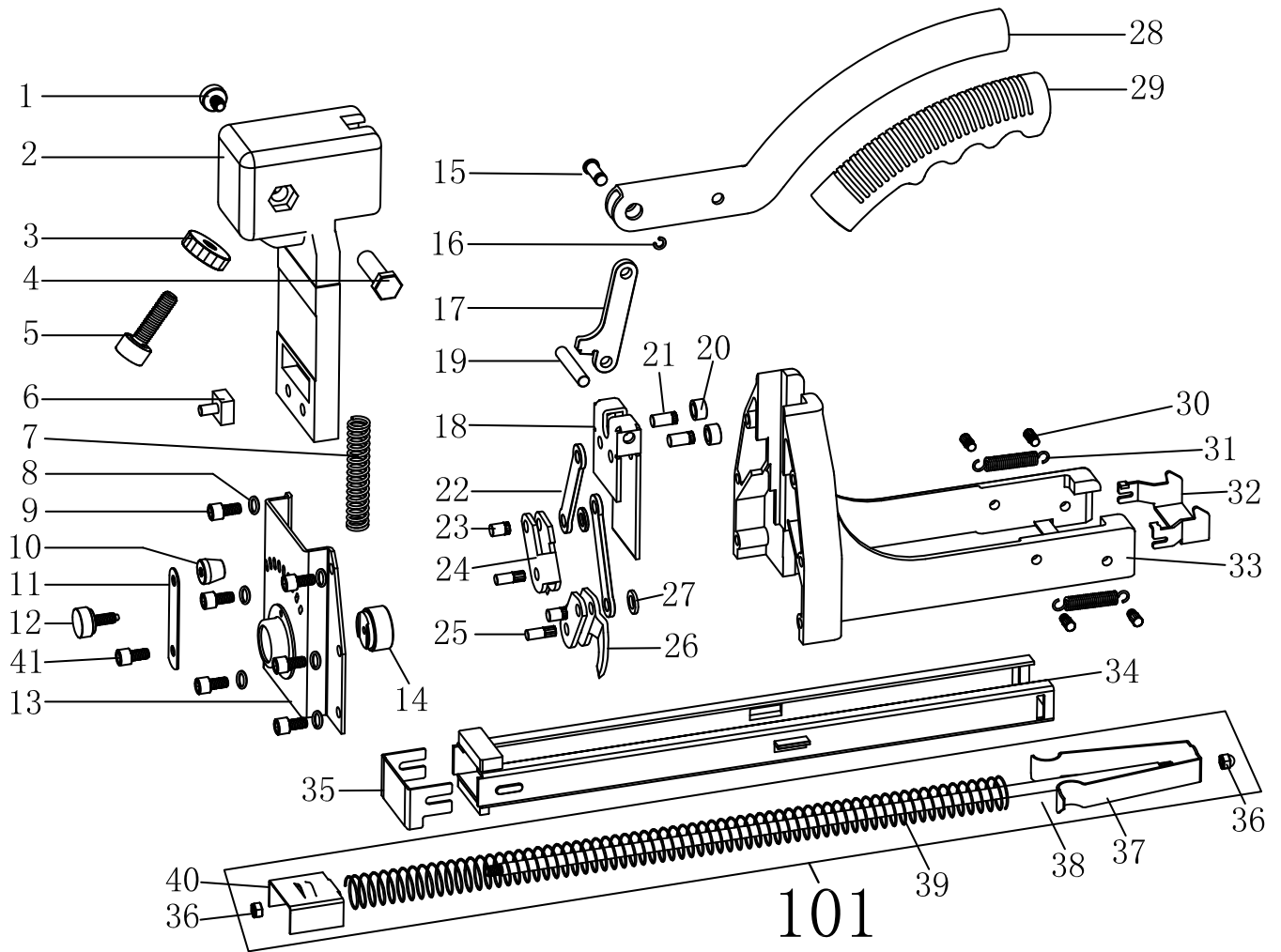


# Детализировка и лист запасных частей НВ3518



Serial number	Part number	Part name	Seq. number	Serial number	Part number	Part name	Seq. number
1	AE01A-007A	Handle bolt	1	23	AE01A-017A	Tooth connecting pin	2
2	AE01A-001A	main body	1	24	AE01A-016A	Left tooth	1
3	AE01A-003A	Adjust the nut	1	25	AE01A-004A	Positioning pin	2
4	AE01A-006A	Handle nut	1	26	AE01A-015A	Right tooth	1
5	AE01A-002A	Adjusting bolt I	1	27	AE01A-040A	washer	2
6	AE01A-Y08A1	Adj. block assembly A1	1	28	AE01A-005A	handle	1
7	AE01A-018A	compressed spring	1	29	AE01A-009A	Put gloves	1
8	B04-01-050-02	M5 elastic washer	6	30	AE01A-028A	Base spring pin	4
9	B01-01-050120-02	Socket screw M5×12	6	31	AE01A-029A	Extension spring	2
10	AE01A-022A	Adjustment cap	1	32	AE01A-031A	bracket	1
11	AE01A-023A	Adjustment lever	1	33	AE01A-027A	Base	1
12	AE01A-021A	Adjusting bolt II	1	34	AE01A-Y02A1	Slot seat weldment A1	1
13	AE01A-Y01A1	Front baffle weldment A1	1	35	AE01A-034A	panel	1
14	AE01A-026A	Positioning seat	1	36	B07-01-050-04	M5 lock nut	2
15	AE01A-008A	Handle pin	1	37	AE01A-038A	Fixed shrapnel	1
16	B03-01-0040-02	Φ4 circlip	1	38	AE01A-037A	Spring shaft	1
17	AE01A-010A	Drive rod	1	39	AE01A-036A	Push nail spring	1
18	AE01A-011A	firing pin	1	40	AE01A-035A	Push pin	1
19	AE01A-012A	Striker pin	1	41	B01-01-050100-02	Screw M5×10	1
20	AE01A-039A	bushing	2				
21	AE01A-014A	Connecting rod pin	2	101	AE01A-Y04A1	Nail pusher section A1	
22	AE01A-013A	hinge	2				