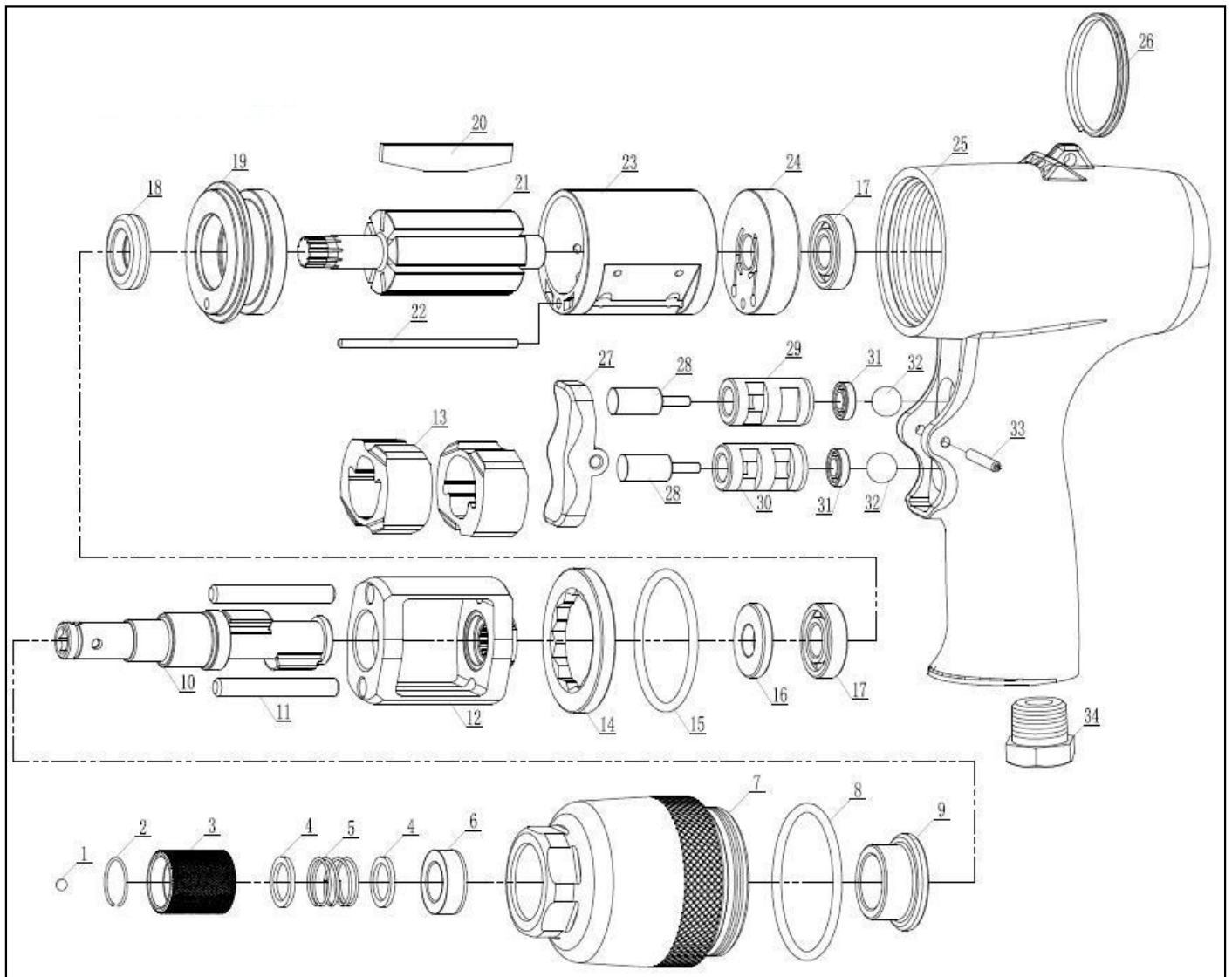


Детализировка и лист запасных частей FROSP P-7220



No.	Description	Qty.	No.	Description	Qty.	No.	Description	Qty.	No.	Description	Qty.
1	Steel ball Dw=3	1	10	Crank shaft	1	19	Front plate	1	28	Bolt	2
2	Steel ring	1	11	Hammer pin	2	20	Rotor blades	7	29	Front valve sleeve	1
3	Shaft sleeve	1	12	Hammer cage	1	21	Rotor	1	30	Rear valve sleeve	1
4	Washer	2	13	Hammer dog	2	22	Cylinder pin	1	31	Plug	2
5	Spring	1	14	Locking ring	1	23	Cylinder	1	32	Steel ball Dw=10	2
6	Anvil oil seal	1	15	O-ring 37*2.65	1	24	Rear plate	1	33	Pin 3*20	1
7	Hammer case	1	16	Rotor inlay	1	25	Gun body	1	34	Air inlet plug	1
8	O-ring 41.2*2.65	1	17	Bearing	2	26	Ring	1	35		
9	Anvil bushing	1	18	Rotor oil seal	1	27	Trigger	1	36		