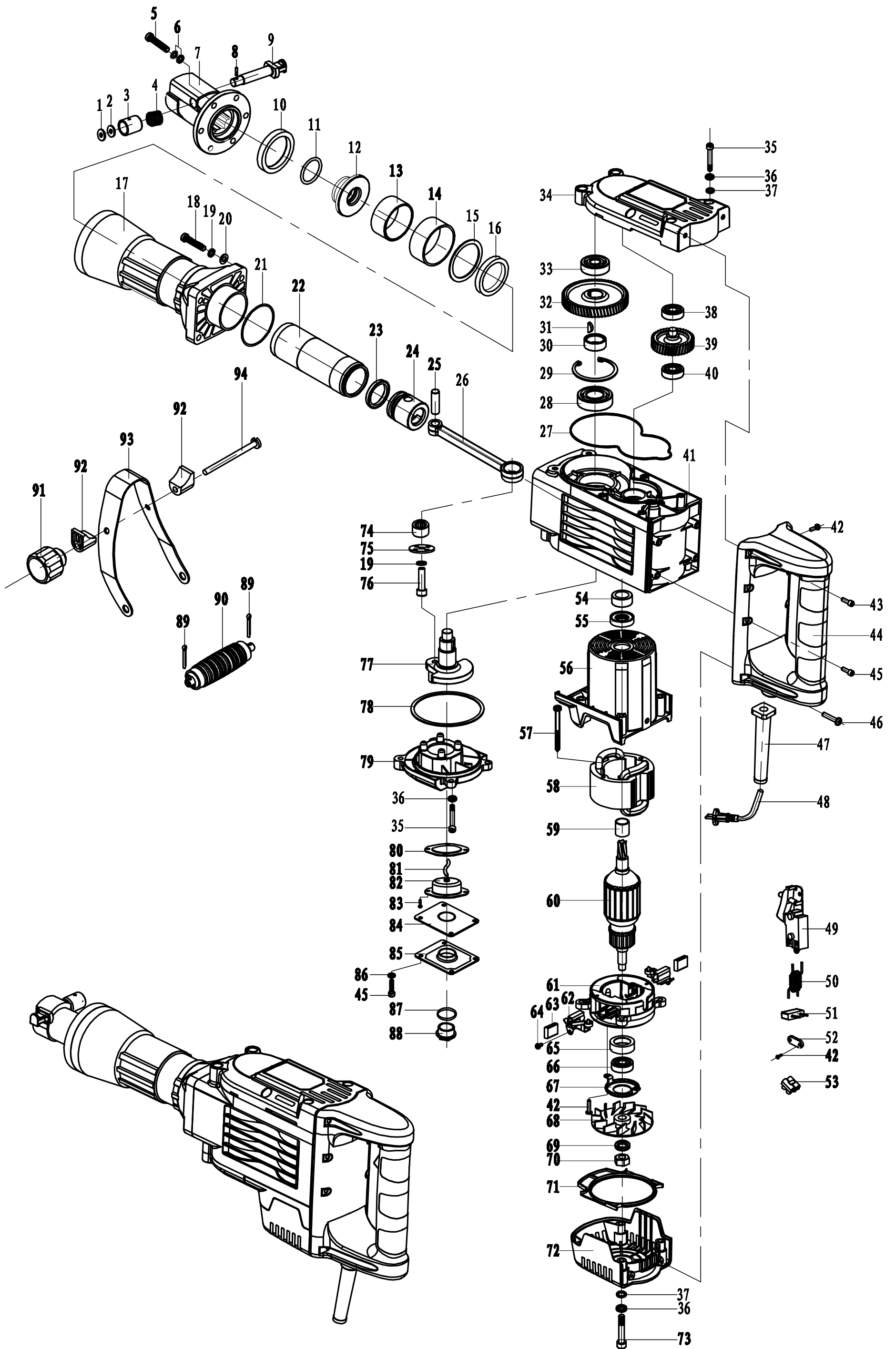


Деталировка FROSP GJH-125



GJH-125 Лист запасных частей

No.	Description	Qty.	No.	Description	Qty.
1	Washer 12.5×18×0.8	1	48	Hex. Screw M5×15	8
2	Spring washer 12.4×17.6×2.6	1	49	Switch FA2-10/2WC-1	1
3	Lock sleeve Φ23×28	1	50	Inductance	1
4	Spring 17.2X1.5×26.5	1	51	Capacitance 0.33 μF	1
5	Hex. Screw. M10×30	6	52	Cable clip	1
6	Spring washer	12	53	Tension disc	1
7	Iron head	1	54	Needle bearing F-225538-1	1
8	Pin Φ4×18	1	55	Oil bowl FB20357	1
9	Lock rod	1	56	Motor case	1
10	Damping ring 47.5×66.5×14.3	1	57	Bolt. ST4.8×60	2
11	O Ring 23.6×5NBR	1	58	Stator	1
12	Shank sleeve	1	59	Ring IR172020	1
13	Mouse	1	60	Rotor	1
14	Mouse cover NBR	1	61	Holder basement	1
15	Washer 57.5×68.4×2 (big)	1	62	Carbon brush holder	2
16	Damping ring 58×68×9.3 (small)	1	63	Carbon brush 6×16×26	2
17	Cylinder case (80E)	1	64	Nut. ST3.9×12	2
18	Hex. Screw M8×35 (12.9级)	4	65	Bearing 6201	1
19	Spring washer 8	5	66	Bearing 6201-RZ	1
20	Flat washer 8	4	67	Bearing cover	1
21	O ring (65A) ,60×2NBR	1	68	Fan blade	1
22	Cylinder (65A) Φ45×Φ56×168	1	69	Washer 12	1
23	Seal ring (65A)FBM	1	70	Hex. Screw M12×1.25	1
24	Piston Φ45	1	71	Fan ring	1
25	Piston pin Φ12X44	1	72	Rear cover	1
26	Connecting rod	1	73	Hex. ScrewM6×75	4
27	Seal ring	1	74	Needle bearing NK18/20	1
28	Bearing 6205-2RS	1	75	Needle bearing cover	1
29	Spring washer	1	76	Hex. Screw M8×30	1
30	Distance ring 25X12.5	1	77	Eccentric shaft	1
31	Key 4×6.5×16	2	78	Seal ring	1
32	Crown gear 63	1	79	Oil house	1
33	Bearing 6302-RZ	1	80	Seal ring NBR	1
34	Gear box	1	81	Oil wick	1
35	Hex. Screw M6×25	10	82	Oil bowl	1
36	Spring washer 6	10	83	Net. M4×20	4
37	Flat washer 6	6	84	Oil hole seal ring	1
38	Bearing 6201-RZ	1	85	Oil hole cap	1
39	Gear 37	1	86	Spring ring5	4
40	Bearing 6201-RZ	1	87	O ring W23×2 NBR	1
41	Gear box	1	88	Oil hole	1
42	Bolt ST3.9×14	11	89	Pin 2.5×30	2
43	Nut .M5×25	2	90	Auxiliary handle	1
44	Handle	1	91	Plastic cap	1

45	Bolt. ST4.8×22	2	92	Plastic clamp	2
46	Cable 2×1.0m m ²	1	93	Handle holder	1
47	Cable guard	1	94	Nut. M8×110	1