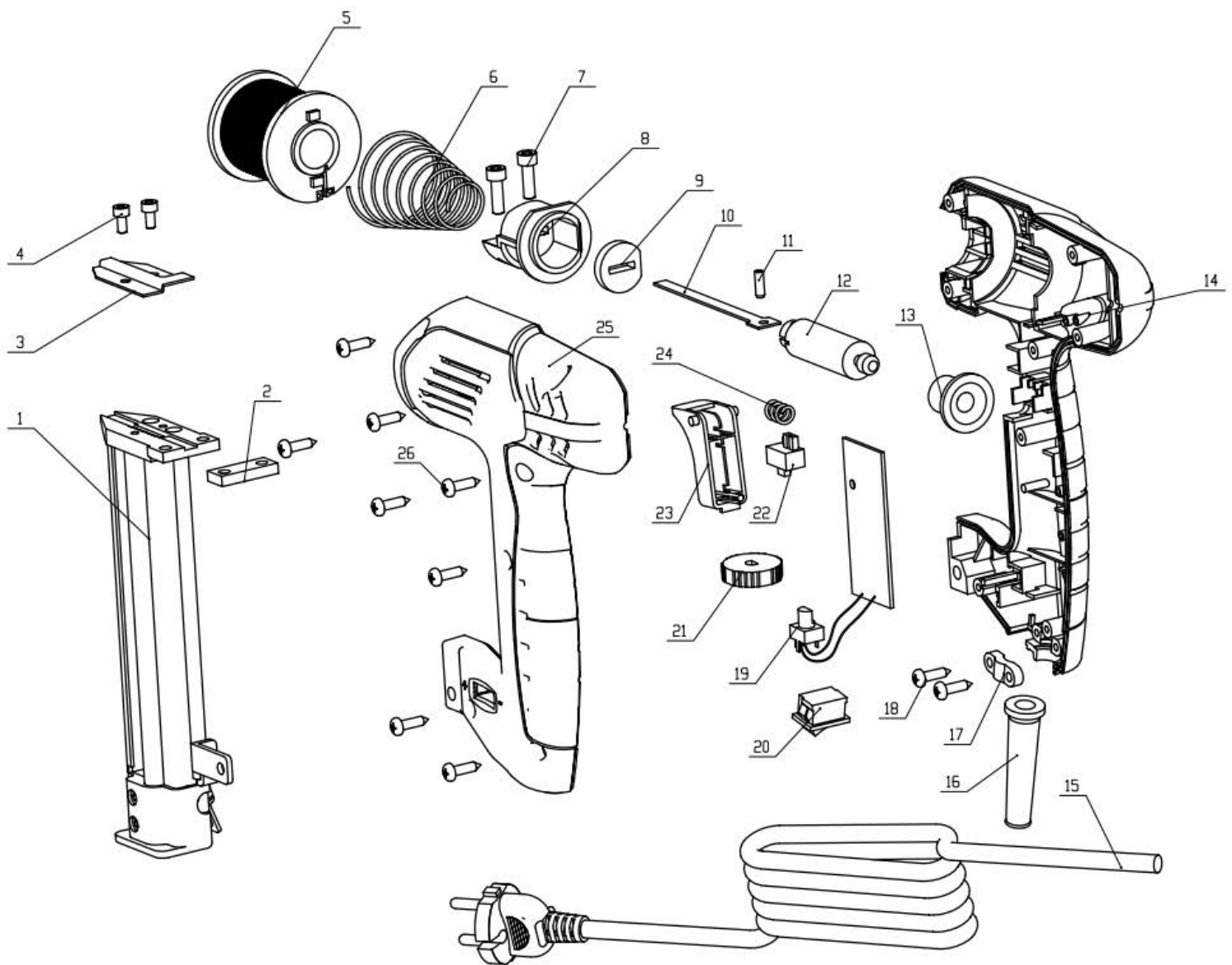


# Детализировка и лист запасных частей FROSP F1022CE



Drawing No.	Name	Qty	Drawing No.	Name	Qty
1	Magazine	1	13	Bumper B	1
2	screw	2	14	Housing Case (right)	1
3	Safety Cover	1	15	Spring	1
4	screw	2	16	Trigger Switch	1
5	Nozzle	1	17	Control Unit	1
6	Bumper A	1	18	Power Switch	1
7	Coil	1	19	Cord Clamp	1
8	Spring	1	20	Cable Shield	1
9	driver blade	1	21	screw	2
10	spring pin	1	22	cable	1
11	driver piston	1	23	Housing Case (left)	1
12	Start Trigger	1	24	screw	8