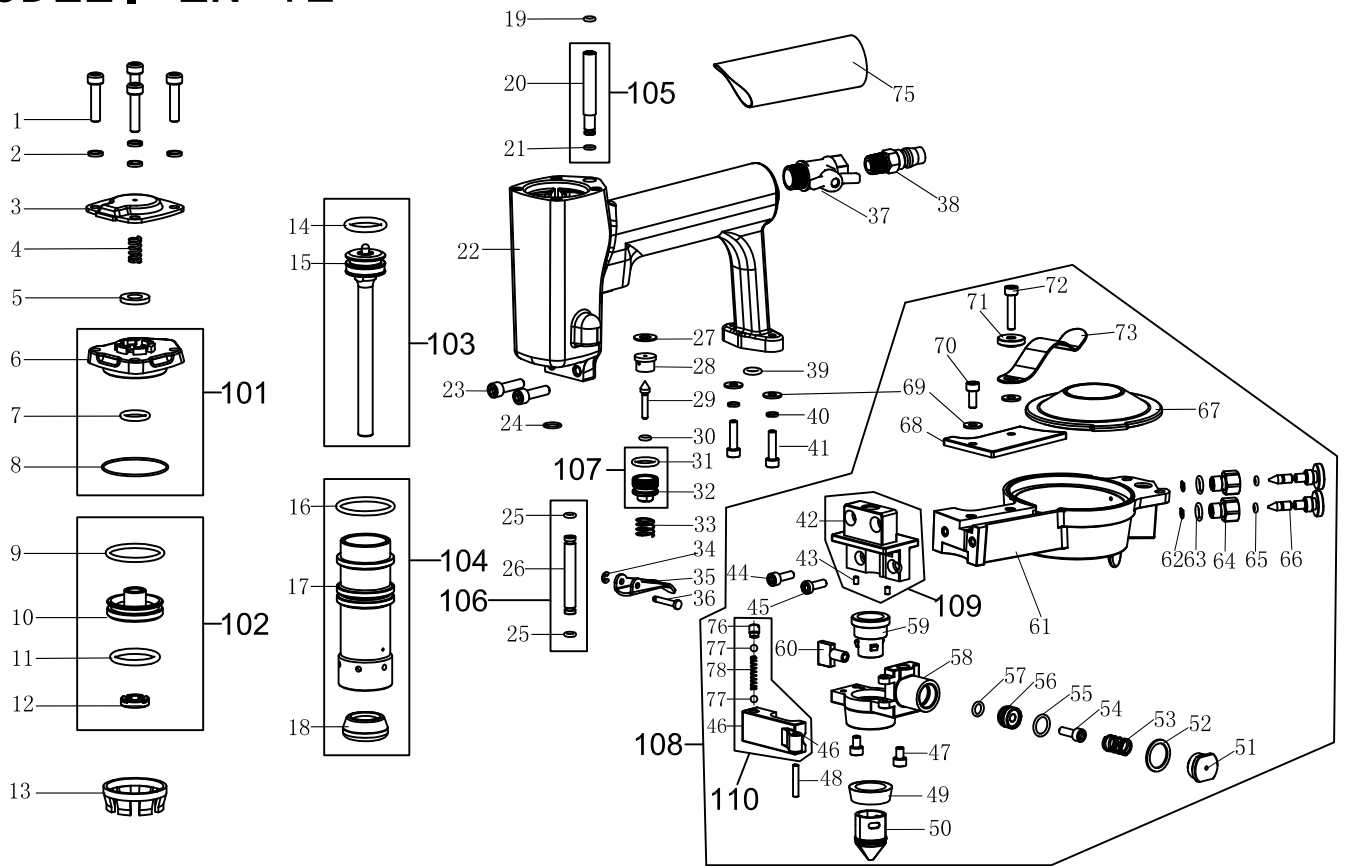


EXPLODED VIEWS AND PARTS LIST

MODEL: ZN-12



ITEM NO	PART NO.	PART NAME	Q' TY	ITEM NO	PART NO.	PART NAME	Q' TY
1	B01-01-050220-02	SCREW	4	46	AA47A-010A	OPPRESSOR	1
2	B04-01-050-02	SPRING WASHER	4	47	B01-01-040060-02	SCREW	2
3	AA09A-002A	EXHAUST COVER	1	48	B02-030180-02	ROLL PIN	1
▲4	AA09A-003A	SPRING	1	▲49	AA47A-003A	COVER	1
▲5	AA09A-004A	AIRPROOF CUSHION	1	▲50	AA47A-005A	PIN GUIDE	3
6	AA09A-005A	CYLINDER CAP	1	51	AA47A-014A	FEED PISTON	1
▲7	B08-011800240	O-RING	1	52	AA47A-015A	SHIM	1
▲8	B08-032000100	O-RING	1	▲53	AA47A-013A	SPRING	1
▲9	B08-026800240	O-RING	1	54	B01-01-040120-02	SCREW	1
10	AA09A-006A	ACTIVE VALVE	1	▲55	B08-009500150	O-RING	1
▲11	B08-021700300	O-RING	1	56	AA47A-011A	PUSHER VALVE PISTON	1
▲12	AA09A-007A	ACTIVE VALVE SHIM	1	▲57	B08-005500150	O-RING	1
13	AA09A-008A	RETAINER RING	1	58	AA47A-006A	PUSHER SEAT	1
▲14	B08-017500300	O-RING	1	▲59	AA47A-004A	SEAT	1
▲15	AA47A-Y03A1	DRIVER	1	60	AA47A-012A	PUSHER	1
16	B08-026800240	O-RING	1	61	AA47A-018B	MAGAZINE-B	1
17	AA47A-008A	CYLINDER	1	62	B03-01-0025-02	E-RING	2
▲18	AA09A-010A	BUMPER	1	63	B08-006300180	O-RING	2
▲19	B08-003500160	O-RING	1	64	AA47A-019A	CONTROL VALVE SEAT	2
20	AA06A-010A	AIR CONDUIT	1	65	B08-002000160	O-RING	2
21	B08-004200120	O-RING	1	66	AA47A-020A	CONTROL VALVE	2
22	AA47A-002A	BODY	1	67	AA47A-001A	MAGAZINE COVER	1
23	AA47A-029A	SCREW	2	68	AA47A-017A	MAGAZINE COVER	1
▲24	B08-008000100	O-RING	1	69	B04-02-040-01	FLAT WASHER	4
25	B08-003500160	O-RING	2	70	B01-01-040100-02	SCREW	1
26	AA47A-016A	MAGAZINE BODY	1	71	AA47A-021A	PRESS PLATE	1
27	AA06A-012A	VALVE SHIM	1	72	B01-01-040160-02	SCREW	1
28	AA06A-013A	VALVE	1	73	AA47A-022A	PRESS PIN	1
29	AA06A-014B	THIMBLE	1	74	GG09A	BODY COVER	1
▲30	B08-00200150	O-RING	1	75	AA47A-033A	SCREW	1
31	B08-010000200	O-RING	1	76	AA02A-030A	STELL BALL	2
32	AA06A-015A	VALVE CAP	1	77	AA47A-027A	SPRING	1
33	AA06A-016A	SPRING	1				
34	B03-01-0025-02	E-RING	1				
35	AA06A-017A	TRIGGER	1				
36	B05-028150-04	PIN	1	101	AA09A-Y10A1	CYLINDER CAP SET	1
37	2fengqiufa	CONDUIT	1	▲102	AA09A-Y09A1	ACTIVE VALVE SET	1
38	AA06A-018A	AIR HOSE CONNECTOR	1	▲103	AA47A-Y02A1	DRIVER SET	1
39	B08-006000200	O-RING	1	104	AA47A-Y04A1	CYLINDER SET	1
40	B04-01-040-02	SPRING WASHER	2	105	AA06A-Y09A1	AIR CONDUIT SET	1
41	B01-01-040140-02	SCREW	2	106	AA47A-Y06A1	AIR BODY SET	1
42	AA47A-009A	MAGAZINE BODY	1	107	AA06A-Y11A1	VALVE CAP SET	1
43	AA47A-025A	PIN	2	108	AA47A-Y01A1	MAGAZINE SET	1
44	B01-01-040120-02	SCREW	1	109	AA47A-Y08A1	MUZZLE SET	1
45	AA47A-026A	SCREW	1	110	AA47A-Y05A1	OPPRESSOR SUBASSEMBLY	1

Remark: Items with "▲" are vulnerable parts

GBA47A00302

A1