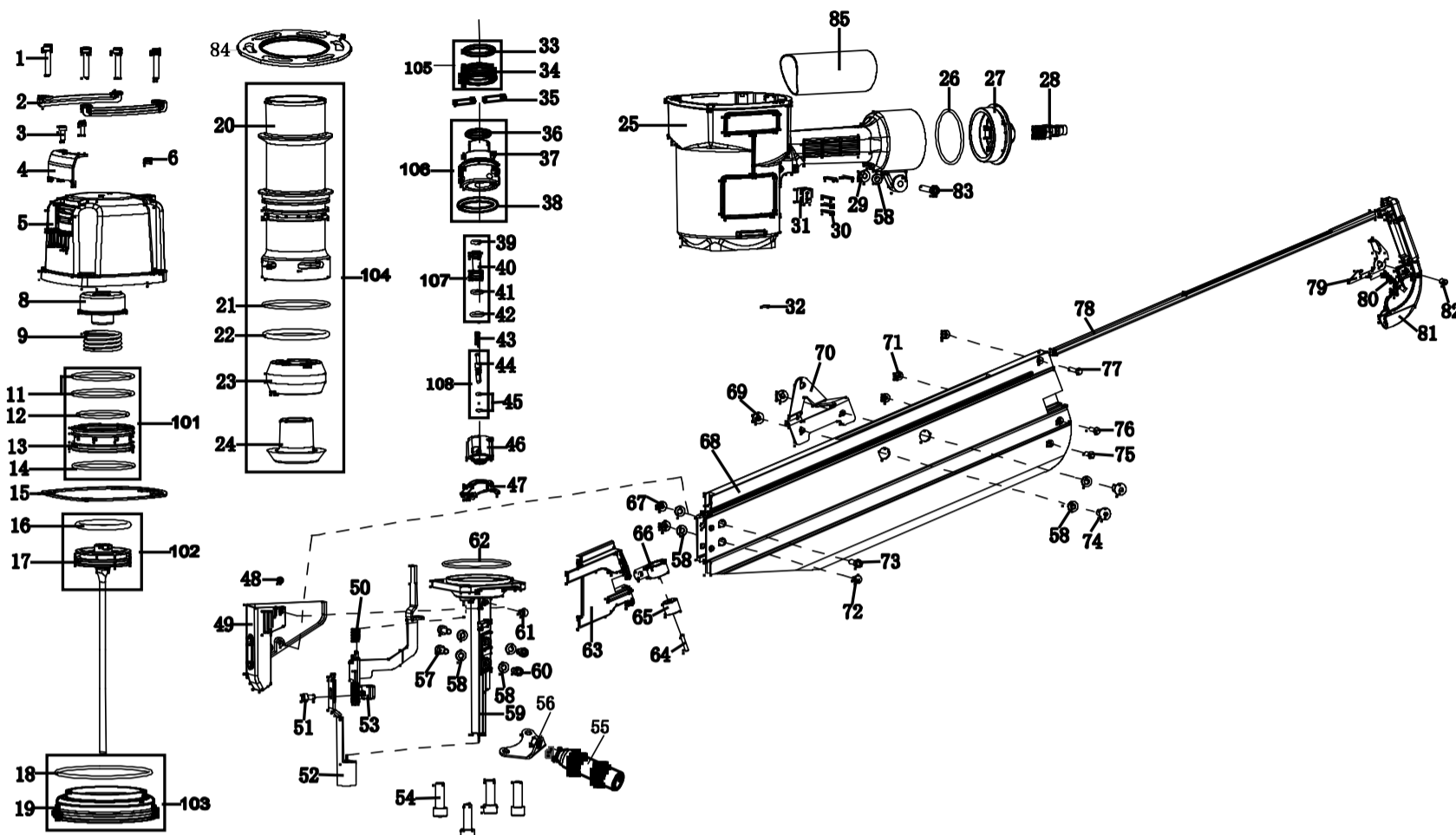


EXPLODED VIEW AND PARTS LIST

| | |
|-----|--|
| 审校一 | |
| 审校二 | |
| 批准 | |

MODEL:SF13021



| ITEM NO. | PART NO. | PART NAME | Q' TY | ITEM NO. | PART NO. | PART NAME | Q' TY |
|----------|------------------|--------------------|-------|----------|---------------------|-------------------|-------|
| 1 | B01-01-060350-02 | SCREW | 4 | 49 | AA62A-005A | MAGAZINE COVER | 1 |
| 2 | AA57B-014A | PROTECTOR | 2 | 50 | AA62A-004A | SPRING | 1 |
| 3 | B01-01-050120-02 | SCREW | 2 | 51 | B01-01-050100-02 | SCREW | 1 |
| 4 | AA57B-009A | EXHAUST COVER | 1 | 52 | AA62A-007A | SAFETY | 1 |
| 5 | AA57B-Y12A1 | CYLINDER CAP | 1 | 53 | AA62A-Y08A1 | SAFETY PITMAN | 1 |
| 6 | AA57B-028A | DUST COVER | 1 | 54 | B01-01-100300-02-NL | SCREW | 4 |
| 8 | AA57B-006A | AIRPROOF SHIM | 1 | 55 | AA57B-008A | GRIPE | 1 |
| 9 | AA57B-013A | SPRING | 1 | 56 | AA57B-Y11A1 | GRIPE LINKER | 1 |
| ▲11 | B08-068800305 | O-RING | 2 | 57 | B01-01-060160-02 | SCREW | 2 |
| ▲12 | B08-056500310 | O-RING | 1 | 58 | AA62A-022A | SHIM | 9 |
| 13 | AA57B-010A | ACTIVE VALVE | 1 | 59 | AA62A-002A | MUZZLE | 1 |
| ▲14 | B08-065000355 | O-RING | 1 | 60 | B01-01-060120-02 | SCREW | 2 |
| ▲15 | AA57B-007A | CYLINDER CAP SHIM | 1 | 61 | B01-06-050120-02 | SCREW | 1 |
| ▲16 | B08-055600570 | O-RING | 1 | ▲62 | B08-076000250 | O-RING | 1 |
| ▲17 | AA62A-Y05A1 | DRIVE | 1 | 63 | AA62A-011A | PUSHER | 1 |
| 18 | B08-107540353 | O-RING | 1 | 64 | AA62A-014A | PIN | 1 |
| 19 | AA62A-016A | RETAINER RING | 1 | 65 | AA62A-015A | SLEEVE | 1 |
| 20 | AA62A-003A | CYLINDER | 1 | 66 | AA62A-019A | WINDING SPRING | 1 |
| 21 | B08-074400310 | O-RING | 1 | 67 | B07-01-050-00 | LOCKNUT | 2 |
| ▲22 | B08-069000530 | O-RING | 1 | 68 | AA62A-009A | NAIL TROUGH | 1 |
| ▲23 | AA57B-018A | BUMPER I | 1 | 69 | B07-01-060-00 | LOCKNUT | 2 |
| ▲24 | AA57B-017A | BUMPER II | 1 | 70 | AA62A-021A | LINK | 1 |
| 25 | AA62A-001A | BODY | 1 | 71 | B07-01-040-00 | LOCKNUT | 3 |
| 26 | B08-057000300 | O-RING | 1 | 72 | B01-06-050120-02 | SCREW | 1 |
| 27 | AA76A-023A | TAIL CAP | 1 | 73 | B01-01-050220-02 | SCREW | 1 |
| 28 | AK01A-023A | AIR HOSE CONNECTOR | 1 | 74 | B01-06-060160-02 | SCREW | 2 |
| 29 | B07-01-060-00 | LOCKNUT | 1 | 75 | B01-02-040200-02 | SCREW | 1 |
| 30 | B02-030250-02 | ROLL PIN | 5 | 76 | B01-02-040200-02 | SCREW | 1 |
| 31 | AA42A-019A | SAFETY GLIDE | 1 | 77 | B01-02-040300-02 | SCREW | 1 |
| ▲32 | B08-006900180 | O-RING | 1 | 78 | AA62A-010A | RAIL | 1 |
| ▲33 | B08-016000180 | O-RING | 1 | 79 | AA62A-013A | FASTENER | 1 |
| 34 | AA40A-039A | TRIGGER COVER | 1 | 80 | AA62A-018A | SPRING | 1 |
| 35 | AA42A-043A | TRIGGER PIN | 2 | 81 | AA62A-012A | BACK COVER | 1 |
| ▲36 | B08-011800180 | O-RING | 1 | 82 | AA62A-017A | SLEEVE | 1 |
| 37 | AA42A-042A | VALVE | 1 | 83 | B01-01-060300-02 | SCREW | 1 |
| ▲38 | B08-019600240 | O-RING | 1 | 84 | AA57B-031A | SHIM | 1 |
| ▲39 | B08-005800190-10 | O-RING | 1 | 85 | GG08A | JACKET | 1 |
| 40 | AA17D-006A | VALVE PISTON | 1 | | | | |
| ▲41 | B08-005800190 | O-RING | 1 | 101 | AA57B-Y02A1 | ACTIVE VALVE SET | |
| ▲42 | B08-008800190 | O-RING | 1 | ▲102 | AA62A-Y06A1 | DRIVE SET | |
| 43 | AA40A-062A | SPRING | 1 | 103 | AA62A-Y04A1 | RETAINER RING SET | |
| 44 | AA17D-007A | THIMBLE | 1 | 104 | AA62A-Y03A1 | CYLINDER SET | |
| ▲45 | B08-002500140-02 | O-RING | 2 | 105 | AA40A-Y15A1 | TRIGGER COVER SET | |
| 46 | AA42A-041A | THIMBLE COVER | 1 | 106 | AA42A-Y14A1 | VALVE SET | |
| 47 | AA40A-Y14A1 | TRIGGER SET | 1 | 107 | AA17D-Y05A1 | VALVE PISTON SET | |
| 48 | AA62A-020A | POISE SHIM | 1 | 108 | AA17D-Y06A1 | THIMBLE SET | |

Remark: Items with "▲" are vulnerable parts

GBA62A03101 A2