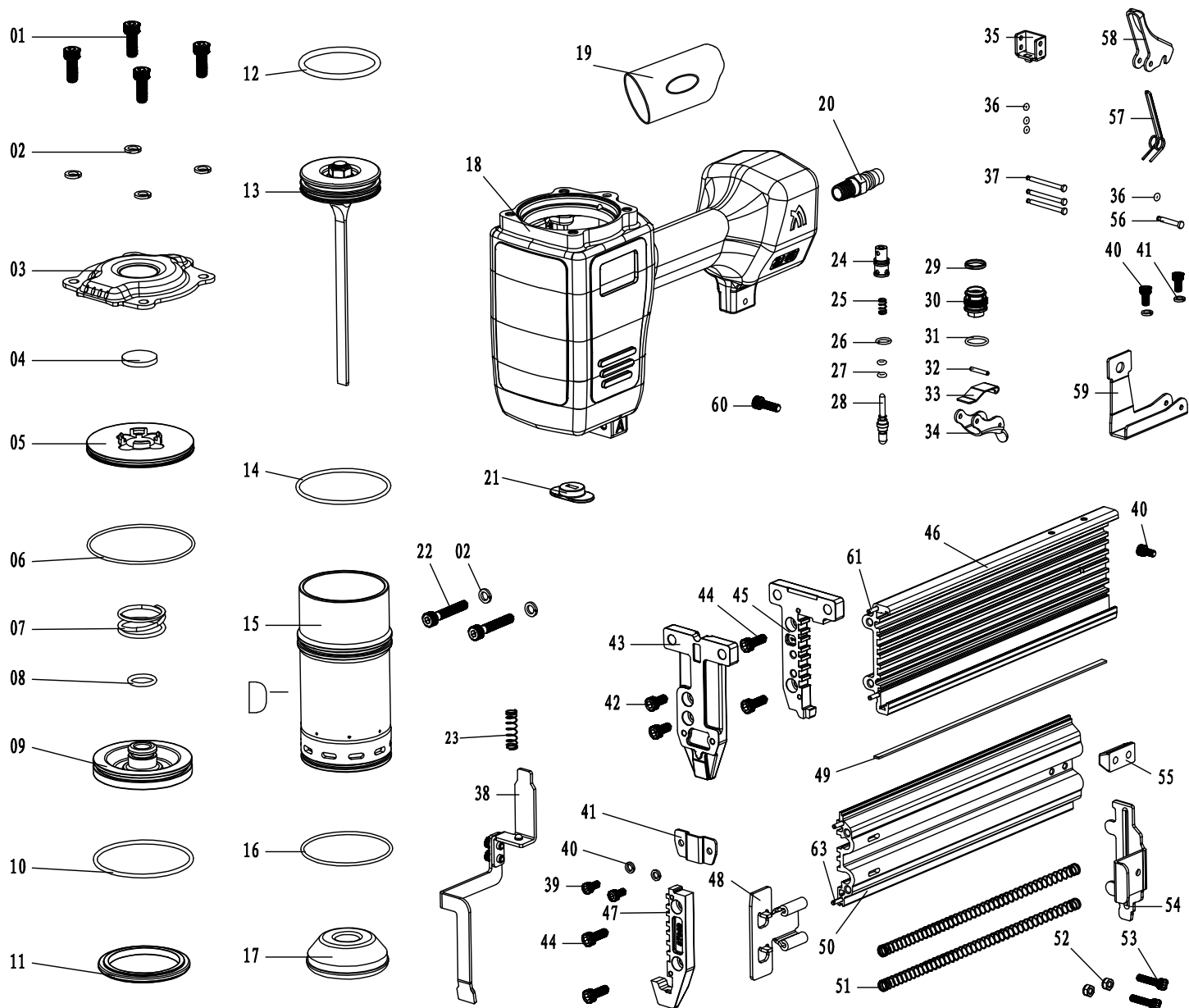


Пневматический пистолет FROSP ST64G по легкому бетону и кирпичу

Детализировка и лист запасных частей



| No | Name | No | Name |
|----|--------------------------------------|----|---------------------------------|
| 01 | Hex screw M6 × 16 | 32 | Elastic cylindrical pin Ø2.5×17 |
| 02 | spring washer 6 | 33 | locking gasket |
| 03 | exhaust cover | 34 | triggers |
| 04 | rectangular seal ring Ø22×3 | 35 | insurance block |
| 05 | cylinber covet | 36 | rectangular seal ring Ø5×2 |
| 06 | O seal ring Ø63×2.1 | 37 | wrist Ø3 × 33 |
| 07 | exhaust cover's compression spring | 38 | insurance handle |
| 08 | O seal ring Ø18.4×2.4 | 39 | Hex screw M4X8 |
| 09 | valve | 40 | spring washer 4 |
| 10 | O seal ring Ø63.3×2.5 | 41 | dead plate |
| 11 | valve's washet | 42 | Hex screw M5 × 10 |
| 12 | O seal ring Ø51.6×3.5 | 43 | gun cover |
| 13 | pistov assembly | 44 | Hex screw M5 × 12 |
| 14 | O seal ring Ø57.7×2.6 | 45 | Rear Driver Guidb |
| 15 | cylindet | 46 | fixing seat |
| 16 | O seal ring Ø56.5×2.1 | 47 | Spear plate |
| 17 | cushion | 48 | plug |
| 18 | cushion | 49 | sliding strip |
| 19 | Rubber part | 50 | moving slip |
| 20 | pipe joints | 51 | plug long spring |
| 21 | pipe joints | 52 | Nut M4 |
| 22 | Hex screw M6 × 30 | 53 | Hex screw M5 × 18 |
| 23 | board | 54 | positioning seat |
| 24 | valve block | 55 | plastic heel |
| 25 | stem compression spring | 56 | wrist Ø3 × 18.5 |
| 26 | O seal ring Ø11×1.4 | 57 | positioning hook's knob-spring |
| 27 | O seal ring Ø6.5×1.9 | 58 | positioning hook |
| 28 | valve stem | 59 | fixing seat |
| 29 | rectangular seal ring Ø4.3×Ø11.3×2.5 | 60 | Hex screw M5 × 16 |
| 30 | pneumatic valve's housing | 61 | Elastic cylindrical pin Ø2.5×12 |
| 31 | O seal ring Ø15.7×2 | | |