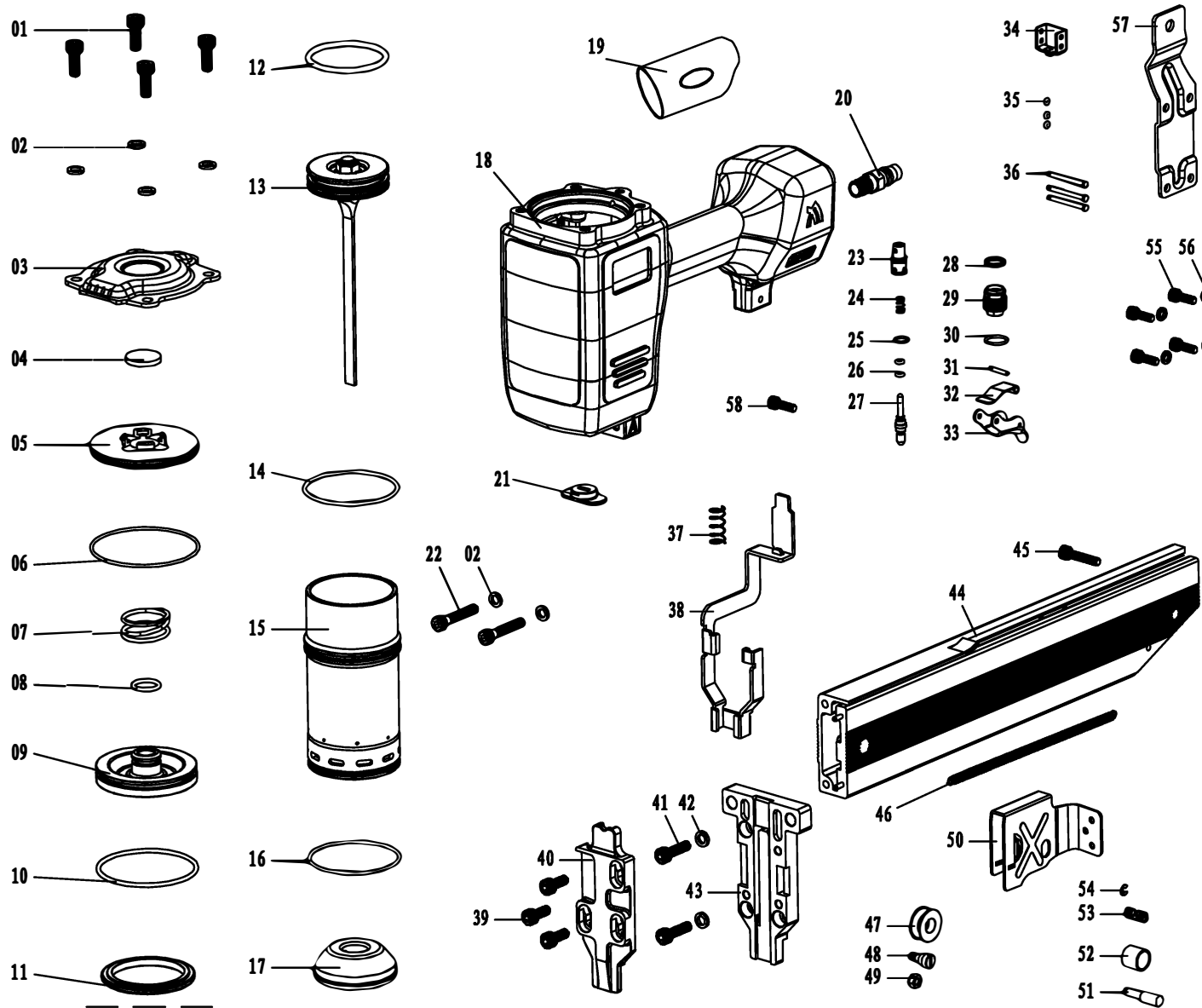


Пневматический скобозабивной инструмент FROSP K-N851G

Детализировка и лист запасных частей



No	Name	No	Name
01	Hex screw M6×16	31	Elastic cylindrical pin Ø2.5×17
02	spring washer 6	32	Insurance mat
03	exhaust cover	33	triggers
04	rectangular seal ring Ø22×3	34	insurance block
05	cylinber covet	35	rectangular seal ring Ø5×2
06	O seal ring Ø63×2.1	36	wrist Ø3×33
07	exhaust cover's compression spring	37	pressure spring
08	O seal ring Ø18.4×2.4	38	insurance handle
09	valve	39	Hex screw M5×12
10	O seal ring Ø63.3×2.5	40	gun cover
11	valve's washet	41	Hex screw M5×18
12	O seal ring Ø51.6×3.5	42	spring washer 5
13	pistov assembly	43	gun-head
14	O seal ring Ø57.7×2.6	44	fixing seat
15	cylindet	45	Hex screw M4×20
16	O seal ring	46	plug long spring
17	cushion	47	steerable wheel
18	casing	48	guide wheel shaft
19	Rubber part	49	Nut M4
20	pipe joints	50	slurcocks
21	flat cushion	51	mandril
22	Hex screw M6×30	52	linrt bushing
23	valve block	53	pressure spring
24	stem compression spring	54	opening eing 4
25	O seal ring Ø11×1.4	55	Hex screw M4×12
26	O seal ring Ø6.5×1.9	56	spring washer 4
27	valve stem	57	fixing seat
28	rectangular seal ring Ø4.3×Ø11.3×2.5	58	Hex screw M5×16
29	pneumatic valve's housing	59	
30	O seal ring Ø15.7×2	60	