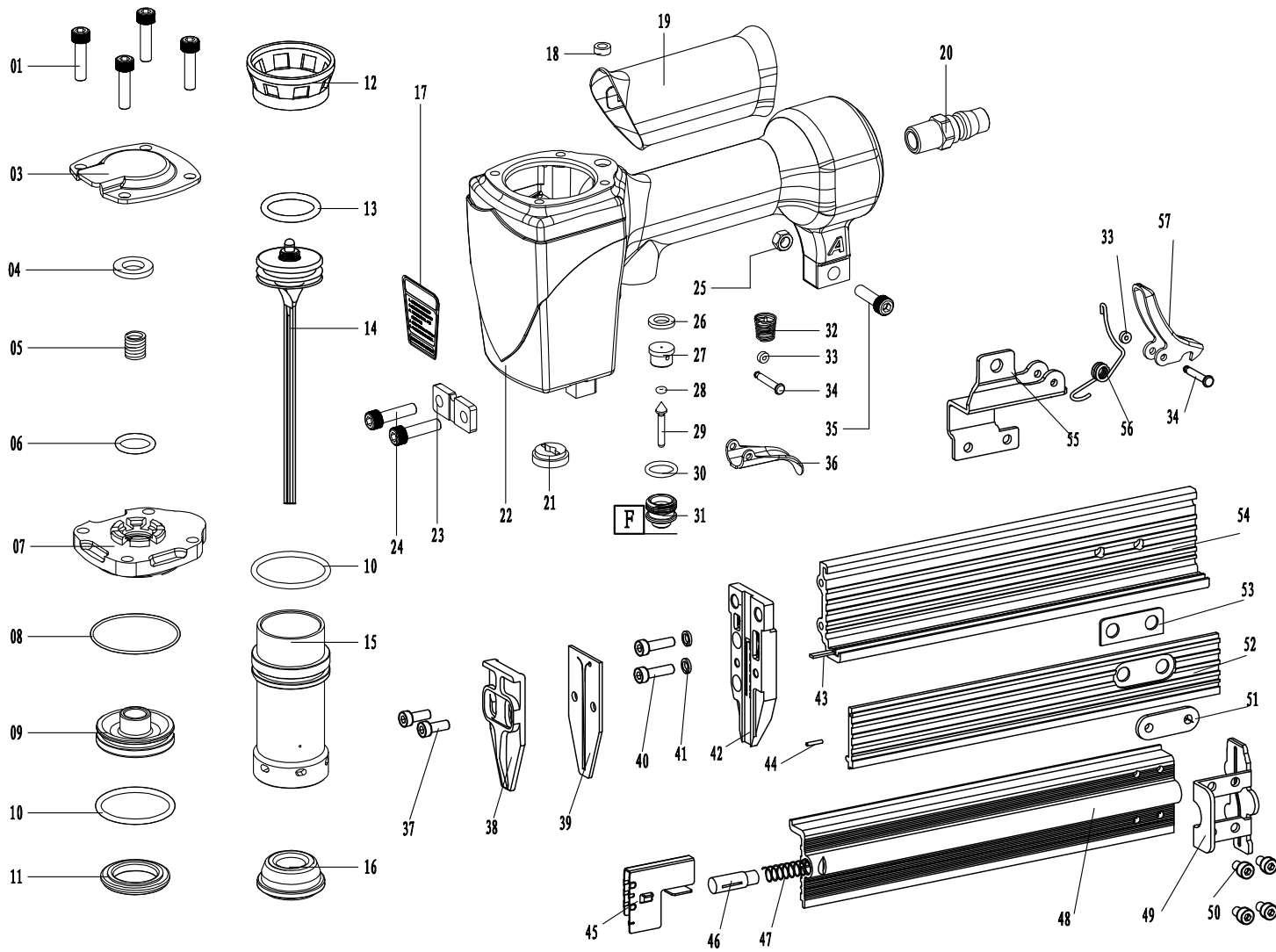


# Штифто-скобозабивной пневмопистолет FROSP F3022J

## Детализировка и лист запасных частей



NO.	PART NAME	NO.	PART NAME
1	Hex screw M5×20	30	O-ringØ14×1.9
3	Hex screw	31	Housing
4	Rectangular ringØ18×10×2.6	32	Spring
5	Spring	33	Rectangular ring Ø5 × 2
6	O-ringØ18.4×2.4	34	Pin rollØ3×18.5
7	Cylinder cap	35	Hex screwM5×18
8	O-ringØ41×1.2	36	Trigger
9	Balance valve	37	Hex screw M4×10
10	O-ringØ36.3×2.5	38	Butt plate
11	Flat washer	39	Nail plate
12	Shrink ring	40	Hex screw M4×14
13	O-ring Ø27.3×3	41	Gasket 4
14	Piston assembly	42	Gun head
15	Cylinder	43	Spacer
16	Cushion	44	Straight pin Ø1.5 × 8
17	Warnign label	45	Slurcocks
18	Rectangular ringØ7.5×3	46	Spring support
19	Rubber part	47	Spring
20	Pipe joint(Coupler)	48	Movable clip
21	Flat washer	49	Position seat
22	Shell	50	Hex screw M4×6
23	Gun head	51	Thread stiffener
24	Division plate	52	Nail Guide Sheet
25	Nut M5	53	Bed piece
26	Rectangular ringØ12x7×1.8	54	Fixed clip
27	Valve stand	55	Fixed seat
28	Valve stem	56	Spring
29	O-ringØ5×1.9	57	Fixed hook