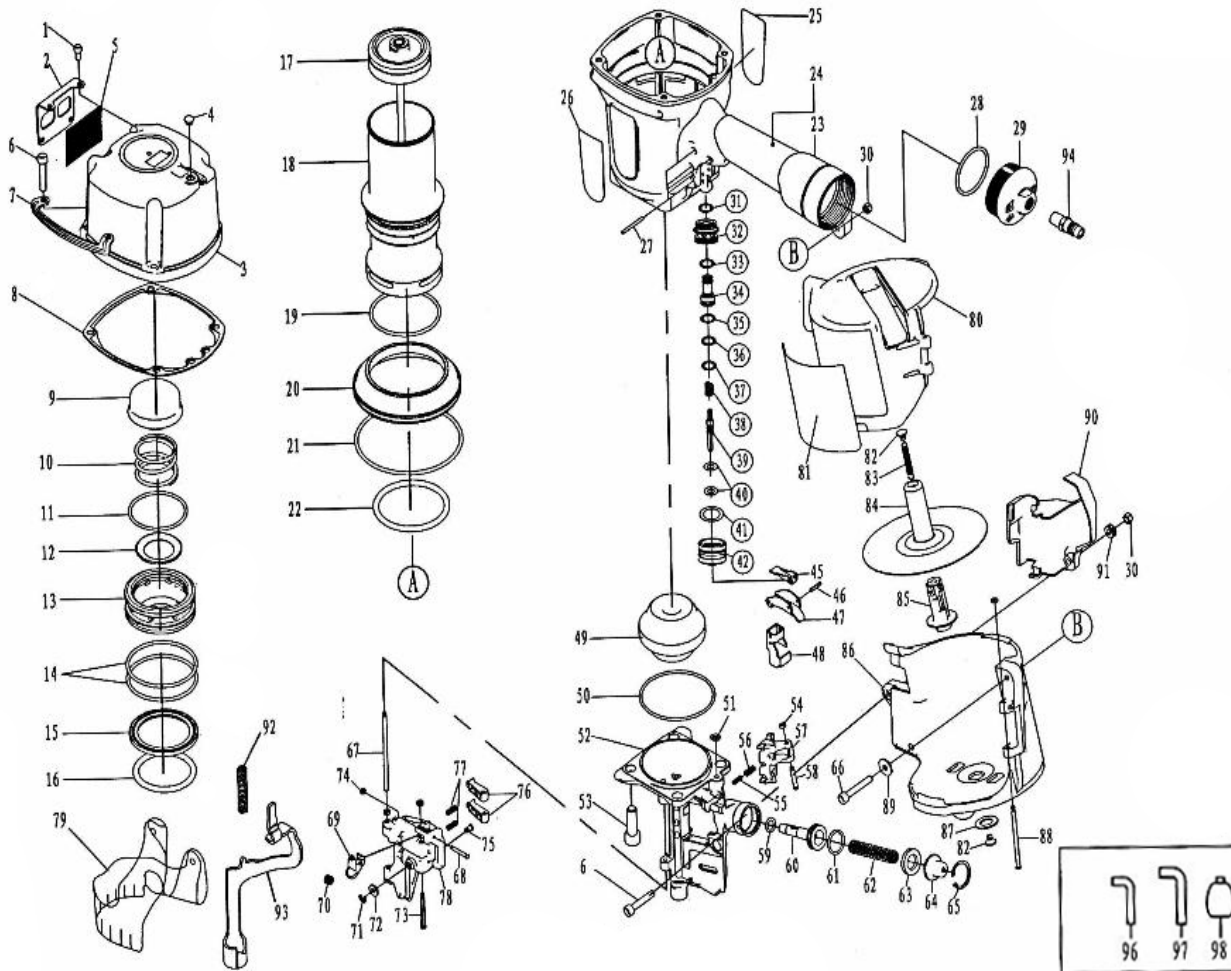


Детализировка и лист запасных частей FROSP CN-100



TIEM NO.	PART NAME	Qty	TIEM NO.	PART NAME	Qty
1	Hex bolt M5*10	4	50	O ring 74.4*3.1	1
2	Muffler mesh plate	1	51	O ring 7*2	1
3	Cylinder cover	1	52	Nose	1
4	Cylinder cap plug	1	53	Hex bolt M10*30	4
5	Muffler mesh	1	54	Shaft	4
6	Hex bolt M6*35	5	55	Nail send claw small spring	1
7	Safty frame	2	56	Nail send claw large spring	1
8	Cylinder head gasket	1	57	Nail send claw	1
9	Spring seat	1	58	Nial send pin	1
10	Compressed spring	1	59	O ring 9.9*2.4	1
11	O ring 56.8*3	1	60	Nail send piston	1
12	Valve gasket	1	61	O ring 20.4*2.4	1
13	Valve	1	62	Nail send spring	1
14	O ring 55*3.55	2	63	Piston bumper	1
15	Cylinder seal	1	64	Piston spring seat	1
16	O ring 55.5*5.7	1	65	Retaining ring	1
17	Piston assembly	1	66	Hex bolt M6*40	1
18	Cylinder	1	67	Active cover shaft pinlever	1
19	O ring 69.5*3.2	1	68	Trigger pin	1
20	Collar	1	69	Trigger piece	1
21	O ring 108.2*3.55	1	70	Trigger spring	1
22	O ring 70*5.7	1	71	Snap retainer 4	1
23	Gun body	1	72	Plain washer D=5	1
24	Rubber grip	1	73	Nail stopper shaft pin	1
27	Pin 3*32	5	74	Trigger pin	1
28	O ring 51*2.65	1	75	Protective film fixing pin	1
29	End cap	1	76	Nail stopper	2
30	Hex bolt M6	2	77	Nail stopper spring	2
31	O ring 14.5*1.8	1	78	Cover plate	1
32	Valve seat	1	79	Protective film fixing pin	1
33	O ring 16*1.6	1	80	Nail house cover	1
34	Valve sleeve	1	82	Hook seat	2
35	O ring 6.1*1.8	1	83	Spring	1
36	O ring 6.4*2	1	84	Nail feed tray	1
37	O ring 9*1.8	1	85	Nail length adjustment seat	1
38	Trigger spring	1	86	Nail house	1
39	Trigger lever	1	87	Adjust holder seal	1
40	O ring 2.4*1.6	2	88	Nail house pin	1
41	O ring 20*1.8	1	89	Plain washer D=6	1
42	Trigger seat	1	90	Nose cap	1
45	Safty yoke	1	91	Seal cap	1
46	Pin 3*16	1	92	Safety frame spring	1
47	Trigger	1	93	Safety frame	1
48	Skateboard frame	1			
49	Bumper	1			