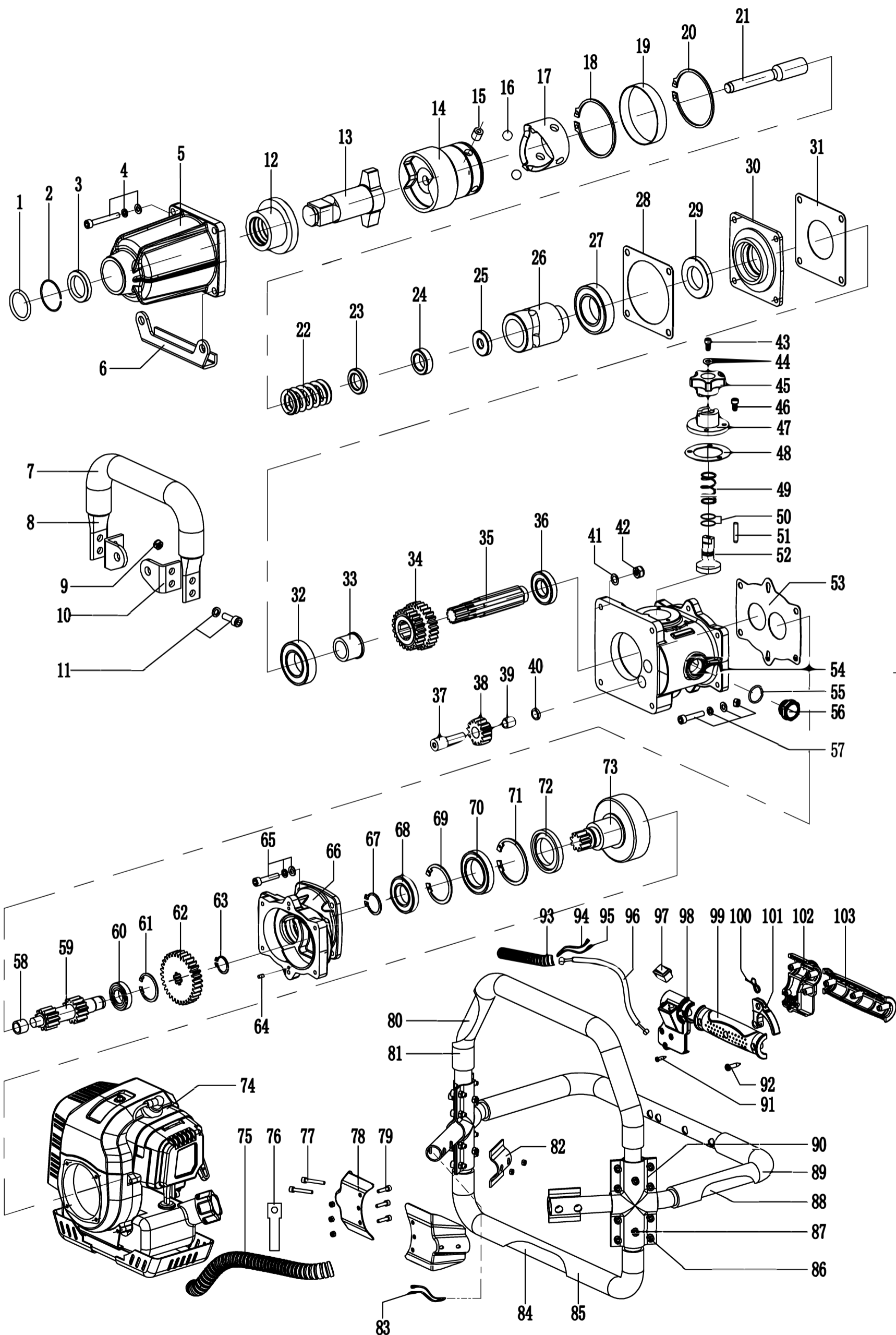


# Деталировка FROSP БГ-1



# Лист запасных частей FROSP БГ-1

NO.	Name	Quantity	NO.	Name	Quantity	NO.	Name	Quantity
1	O ring $\Phi 19 \times 3$	1	38	Reverse pinion	1	73	Driving wheel	1
2	$\Phi 24 \times \Phi 26 \times 1.2$ steel card	1	39	13X10X16.5 copper bush	1	74	Engine	1
3	Oil seal $\Phi 50 \times \Phi 35 \times 7$	1	40	14X10X3 distance washer	1	75	Protective cover	1
4	M8X55 SOCKET HEAD CAP SCREW	4	41	$\Phi 8$ flat washer	3	76	tension disc	1
	$\Phi 8$ spring washer	4	42	M8 locknut	3	77	M6X35 SOCKET HEAD CAP SCREW	4
	$\Phi 8$ flat washer	4	43	M5X16 SOCKET HEAD CAP SCREW	1		M6 locknut	4
5	Cylinder case	1	44	$\Phi 5$ flat washer	1	78	Handle back connection plate	2
6	Small brace	1	45	Knob	1	79	M6X20 SOCKET HEAD CAP SCREW	6
7	Hose cover	1	46	M5X16 SOCKET HEAD CAP SCREW Knob base	3		$\Phi 6$ spring washer	6
8	Handle frame	1	47	Knob base	1		M6 locknut	3
9	M6 locknut	4	48	Red steel pad (knob)	1	80	Deputy handle frame	1
10	Auxiliary handle fixing piece	2	49	Knob spring	1	81	The hose set	1
11	M6X16 SOCKET HEAD CAP SCREW	4	50	Knob Oring $\Phi 11 \times 1.5$	1	82	Connecting plate	2
	$\Phi 6$ spring washer	4	51	Knob pin $\Phi 5 \times 30$	1	83	Flame out switch buckle	2
12	Cylinder case locating sleeve	1	52	Knob shaft	1	84	Tank guard	1
13	torsion shaft	1	53	Red steel pad (gear box)	1	85	The hose set	1
14	Torsional cylinder	1	54	Gear box	1	86	M6X16 SOCKET HEAD CAP SCREW	16
15	11X11 pin	4	55	Oil gear $\Phi 24 \times 2.5$	1		M6 locknut	16
16	$\Phi 10$ ball	2	56	Oil hole	1	87	M6X35 SOCKET HEAD CAP SCREW	4
17	Torsional cylinder cover	1	57	M6X40 SOCKET HEAD CAP SCREW	6		M6 locknut	4
18	$\Phi 73$ STW	1		$\Phi 6$ spring washer	6		88	The main handle frame
19	Hoop	1		$\Phi 6$ flat washer	6	89	The hose set	1
20	$\Phi 73$ STW	1		M6 locknut	6	90	Long connection platen	4
21	Locating center shaft	1	58	Copper cover $\Phi 16 \times \Phi 12 \times 12$	1	91	4X12 tapping screw	3
22	Spring	1	59	Positive and negative adjustment tooth shaft	1	92	4X16 tapping screw	5

23	32X20X6.5 gasket	1	60	16004 bearing	1	93	Protective cover	1
24	32X20X10 gasket	1	61	Φ 35 RTW	1	94	Flame out switch leads out	2
25	32X11X6.5 gasket	1	62	Plate gear	1	95	Eye-splice	2
26	accelerator	1	63	Φ 16 STW	1	96	Cable accelerator	1
27	6007 bearing	1	64	Φ 5X12 pin	2	97	Flame rollout switch	1
28	Red steel pad (cylinder cover)	1	65	M8X20 SOCKET HEAD CAP SCREW	4	98	Switch cover(left) Flame rollout switch	1
29	Oil seal Φ 52XΦ 30X7	1		Φ 8 spring washer	4	99	handle(left)	1
30	Middle cover	1		Φ 8 flat washer	4	100	The trigger spring	1
31	Red steel pad (top cover)	1	66	Gear box top cover	1	101	The throttle trigger	1
32	6006 bearing	1	67	Φ 25 STW	1	102	Switch cover (right)	1
33	Bearing cover Φ 30xΦ 22X23.5	1	68	16005 bearing	1	103	handle (right)	1
34	Clutch gear	1	69	Φ 47 RTW	1			
35	Spline shaft	1	70	61907 bearing	1			
36	16003 bearing	1	71	Φ 55 RTW	1			
37	Reverse gear shaft adjustment	1	72	Oil seal Φ 55XΦ 35X8	1			