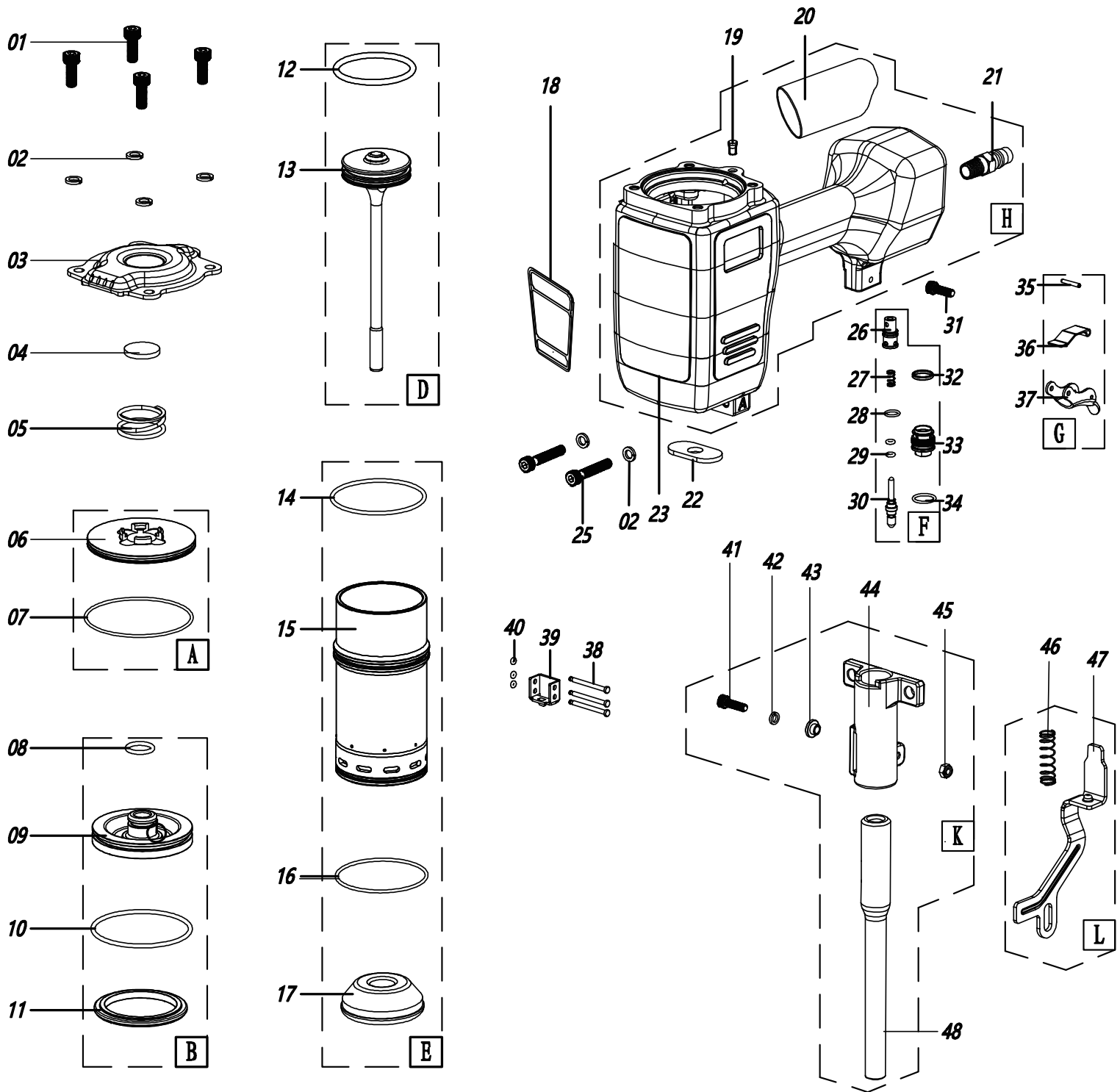


Пневматический монтажный пистолет FROSP A120

ДЕТАЛИРОВКА



ЛИСТ ЗАПАСНЫХ ЧАСТЕЙ

№	Part	Quantity	№	Part	Quantity
1	M6x16 screw	4	36	washer	1
2	spring washer	6	37	handle	1
3	air deflector cover	1	38	pin 3x33	3
4	washer 22x3	1	39	safety seat	1
5	spring washer	1	40	seal ring 5x2.0	3
6	cylinder cover	1	41	M4x16 screw	1
7	o-ring 63x2.1	1	42	spring washer 4	1
8	o-ring 18.4x2.4	1	43	position limited	1
9	balance valve	1	44	nail head	1
10	o-ring 63.3x2.5	1	45	nut M4	1
11	washer of balance valve	1	46	spring washer 4	1
12	o-ring 51.6x3.6	1	47	safety yoke	1
13	piston	1	48	piston pipe	1
14	o-ring 57.7x2.6	1			
15	cylinder cover	1			
16	o-ring 56.6x2.1	1			
17	bumper	1			
18	warning label	1			
19	rivet	1			
20	handle grip	1			
21	coupler	1			
22	rubber washer	1			
23	housing	1			
25	M6x35 screw	2		Combined parts list	
26	valve seat	1	A	cylinder cover kit	1
27	spring	1	B	balance valve kit	1
28	o-ring 11x1.4	1	D	piston kit	1
29	o-ring 6.5x1.9	2	E	cylinder kit	1
30	valve pole	1	F	trigger kit	1
31	M5x16 screw	1	G	handle kit	1
32	seal ring 14.3x11.3x2.5	1	H	housing kit	1
33	valve	1	K	nail head kit	1
34	o-ring 15.7x2.0	1	L	safety yoke kit	1
35	pin 2.5x17	1	P	o-ring kit	1