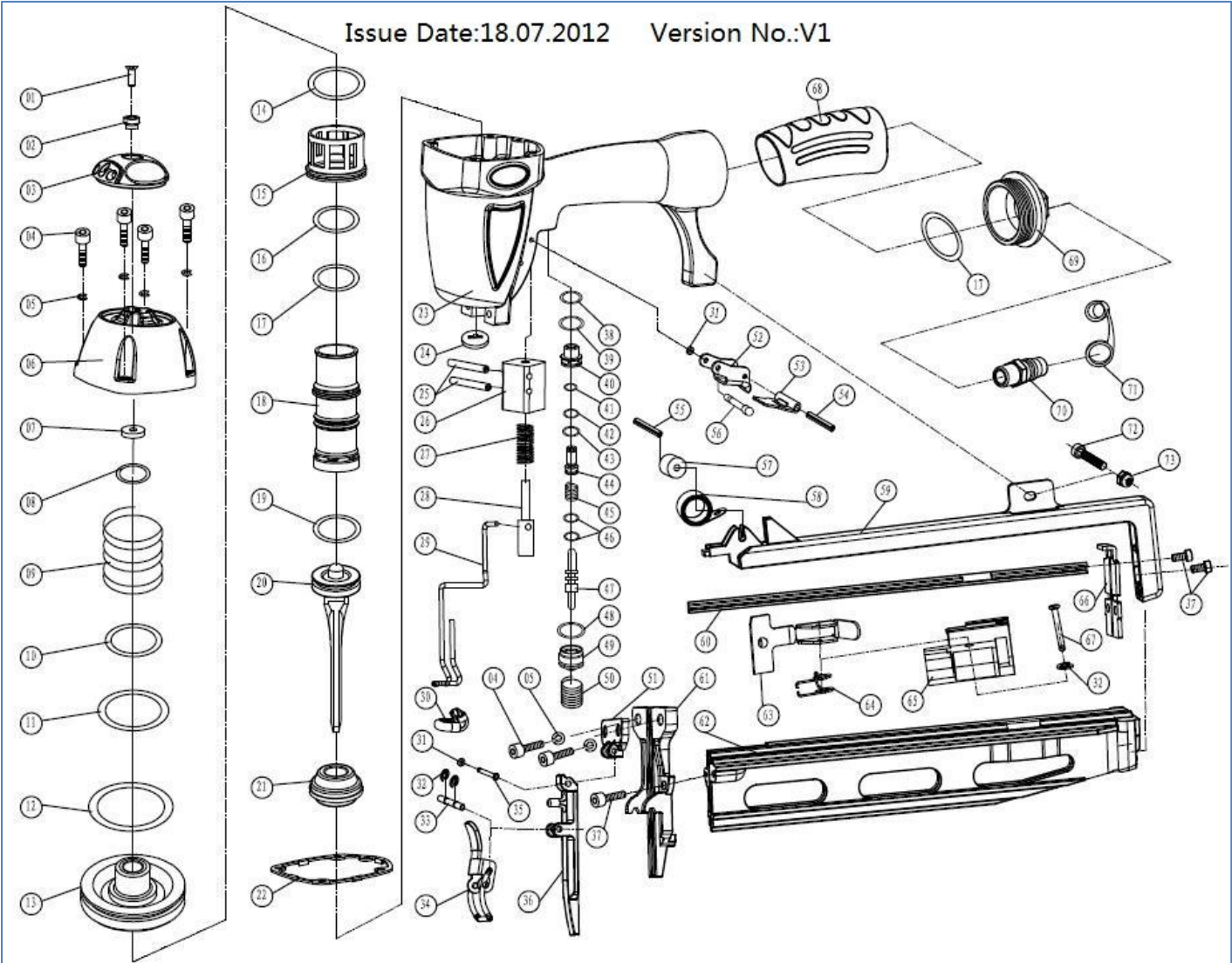


FN64 - Explode drawing & Parts list

Issue Date:18.07.2012 Version No.:V1



No.	Description	Qty.	No.	Description	Qty.	No.	Description	Qty.
1	Bolt M5*16	1	26	Guide seat	1	51	Fixed cover board	1
2	Bearing set	1	27	Safety compressor spring	1	52	Trigger	1
3	Air Deflector	1	28	Pusher	1	53	Safety Spacer	1
4	Bolt M5*25	6	29	Safety nose	1	54	Pin 2.5*18	1
5	Spring washer 5	6	30	Safety nose case	1	55	Pin 4*16	1
6	Cylinder cap	1	31	Pin case	2	56	Trigger pin	1
7	Washer	1	32	Split washer	3	57	Coil spring core	1
8	O-ring 18*1.8	1	33	Pin	1	58	Coil spring	1
9	Compressor Spring	1	34	Quick release handle	1	59	Nail guide rack	1
10	O-ring 48.7*2.65	1	35	Driver Guide Cover Pin	1	60	Nail guide strip	1
11	O-ring 38*3.5	1	36	Movable cover board	1	61	Driver Guide	1
12	O-ring 25*3.5	1	37	Bolt M4*10	3	62	Nail guide groove	1
13	Valve Assembly	1	38	O-ring 11.7*2.4	1	63	Pusher	1
14	O-ring 60*2.5	1	39	O-ring 13*1.5	1	64	Torsional spring	1
15	Collar	1	40	Valve seat	1	65	Push Seat	1
16	O-ring 42*2.5	1	41	O-ring 3.75*1.8	1	66	Nail guide rack washer	1
17	O-ring 42*2.5	2	42	O-ring 6*2	1	67	Push pin	1
18	Cylinder	1	43	O-ring 7.2*19	1	68	Handle sheath	1
19	O-ring 31*3.55	1	44	Valve seat	1	69	End cap	1
20	Piston Assembly	1	45	Trigger pole spring	1	70	Air Inlet	1
21	Bumper	1	46	O-ring 2.5*1.5	2	71	Air Inlet Plug Case	1
22	Cylinder Cover Washer	1	47	Trigger pole(28.6mm)	1	72	Bolt M4*20	1
23	Gun body	1	48	O-ring 15.7*2.4	1	73	Nut M4	1
24	Guide Washer	1	49	Switch knob	1			
25	Pin 3*26	2	50	Trigger compressor spring	1			