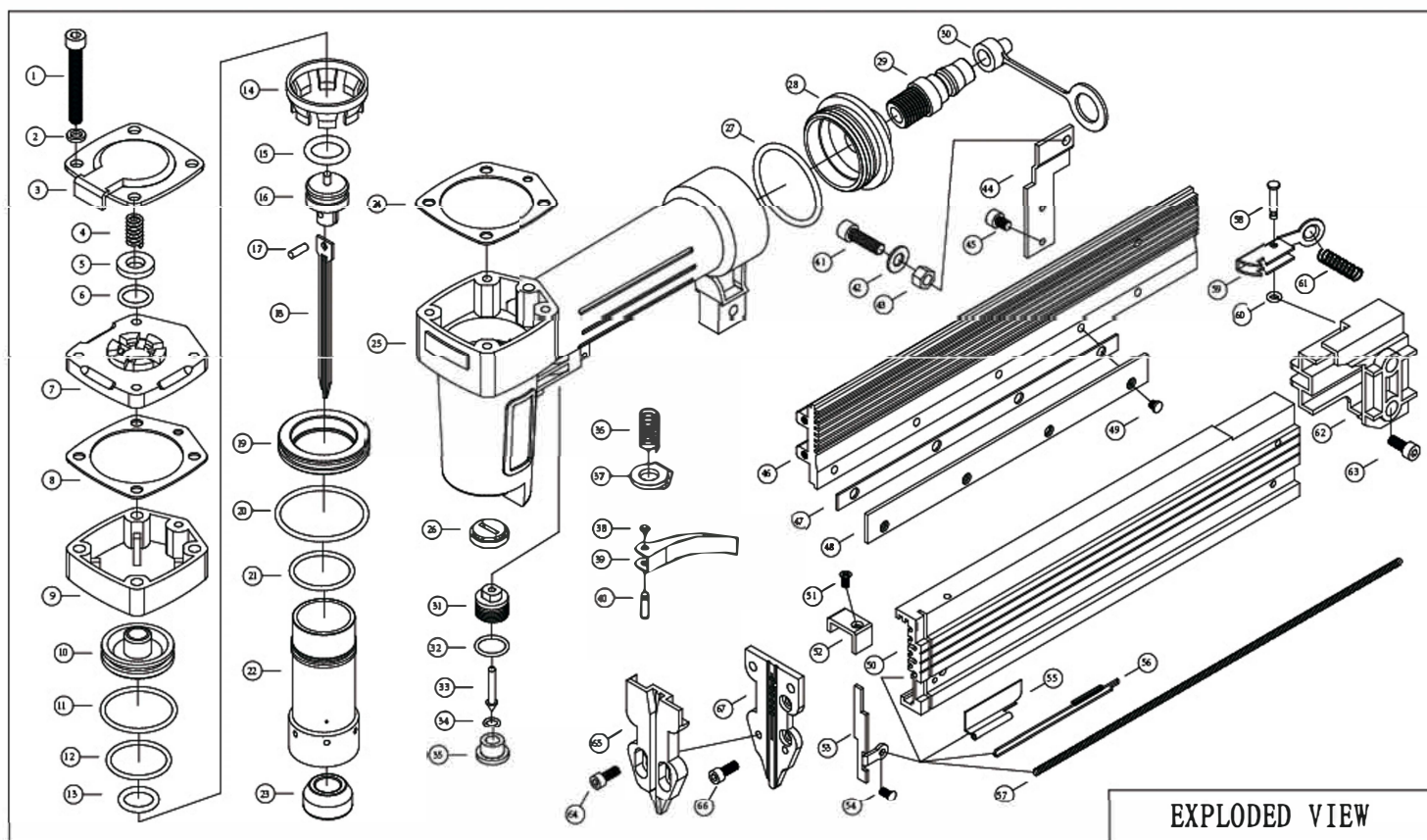


Детализировка и лист запасных частей F635



PINNER PARTS PARTSLIST

Inder No.	Description	Inder No.	Description	Inder No.	Description
1	HEX. SOC. HD. BOLT (M5x35)	25	BODY	49	HEX. SOC. HD. BOLT SCREW (M3x6)
2	WASHER	26	DRIVER SEAL	50	MAGAZINE CAP
3	EXHAUST CAP	27	O-RING	51	HEX. SOC. HD. BOLT (M4x6)
4	COMPRESSION SPRING	28	TUBE	52	MAGAZINE CAP STOP
5	VALVE STOP	29	AIR PIUG	53	PUSHER STOP
6	O-RING	30	AIR PIUG SEAT	54	HEX. SOC. HD. BOLT (M4x6)
7	CYLINDER CAP	31	TRIGGER VALVE SEAT	55	PUSHER #1 CSJ
8	CYLINDER CAP SEAL	32	O-RING	56	PUSHER #2 CSJ
9	MIDDLE CAP	33	TRIGGER VALVE STEM	57	PUSHER SPRING
10	HEAD VALVE	34	O-RING	58	LATCH PIN
11	O-RING	35	TRIGGER VALVE GVIDE	59	LATCH
12	O-RING	36	TRIGGER SPRING	60	O-RING
13	O-RING	37	TRIGGER LOCK	61	LATCH SPRING
14	CYLINDER BUSHING	38	E-RING	62	LATCH SUPPORT
15	O-RING	39	TRIGGER	63	HEX. SOC. HD. BOLT (M4x8)
16	PISTION	40	PIN	64	HEX. SOC. HD. BOLT (M4x12)
17	SPRING PIN	41	HEX. SOC. HD. BOLT (M5x20)	65	COVER PLATE
18	DRIVER	42	WASHER	66	HEX. SOC. HD. BOLT (M4x8)
19	CYLINDER SAET	43	SCREW (M5)	67	GUIDE PLATE
20	O-RING	44	SUPPORT	68	
21	O-RING	45	HEX. SOC. HD. BOLT (M4x8)	69	
22	CYLINDER	46	MAGAZINE SEAT	70	
23	BUMPER	47	SPALER PLATE	71	
24	CYLINDER CAP SEAL	48	RAILING PLATE	72	