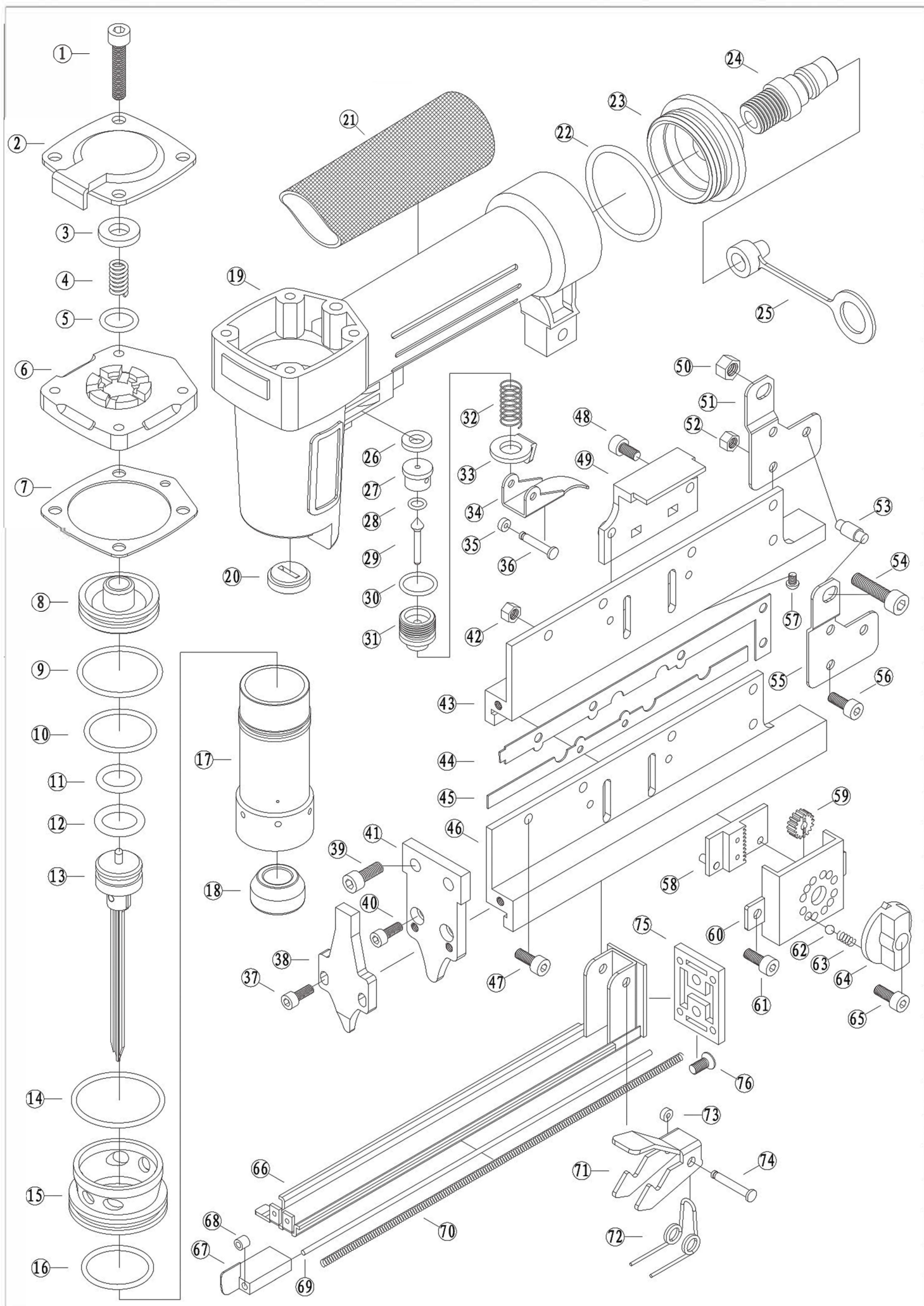


Детализировка и лист запасных частей F625



Inder No.	DESCNIPTION	Inder No.	DESCNIPTION
1	BOLT (M5X20)	39	BOLT (M5X16)
2	EXHAUST CAP	40	BOLT (4X10)
3	RECTANGLE WASHER	41	GUIDE PLATE
4	COMPRESSION SPRING	42	SCREW (M4)
5	O-RING	43	LEFT MANGZINE CAP
6	CYLINDER CAP	44	POSITON GRADUATION PIECE
7	CYLINDER CAP SEAL	45	SETTING PIECE
8	HEAD VALVE PISTON	46	RIGHT MANGZINE CAP
9	O-RING	47	BOLT (M4X10)
10	O-RING	48	BOLT (M4X6)
11	O-RING	49	LEFT REGULATOR SHELL
12	O-RING	50	SCREW (M5)
13	DRIVER UNIT	51	LEFT SUPPORT STAND
14	O-RING	52	SCREW (M4)
15	COLLAR	53	BUCKLE PIN
16	O-RING	54	BOLT (M5X18)
17	CYLINDER	55	RIGHT SUPPORT STAND
18	BUMPER	56	BOLT (M4X12)
19	BODY	57	BOLT (M3X4)
20	NOZZLE	58	REGULATE PIECE
21	RUBBER HANDLE CASE	59	REGULATE GEAR
22	O-RING	60	RIGHT REGULATOR SHELL
23	END CUP	61	BOLT (M4X6)
24	AIR PIUG	62	STEEL BALL
25	AIR PIUG SEAT	63	REGULATOR SPRING
26	SEAL	64	REGULATOR
27	TRIGGER VALVE SEAT	65	BOLT (M4X10)
28	O-RING	66	STOP COLLAR
29	INNER VALVE SEAT	67	PUSHER
30	O-RING	68	BACK NOSE ASSEMBLY
31	TRIGGER VALVE GUIDE	69	PUSHER GUIDE
32	TRIGGER SPRING	70	PUSHER SPRING
33	TRIGGER LOCK	71	LATCH
34	TRIGGER	72	LATCH SPRING
35	O-RING	73	O-RING
36	TRIGGER PIN	74	TRIGGER PIN
37	BOLT (M4X8)	75	DECORATION BOARD
38	COVER PLATE	76	BOLT (MX8)