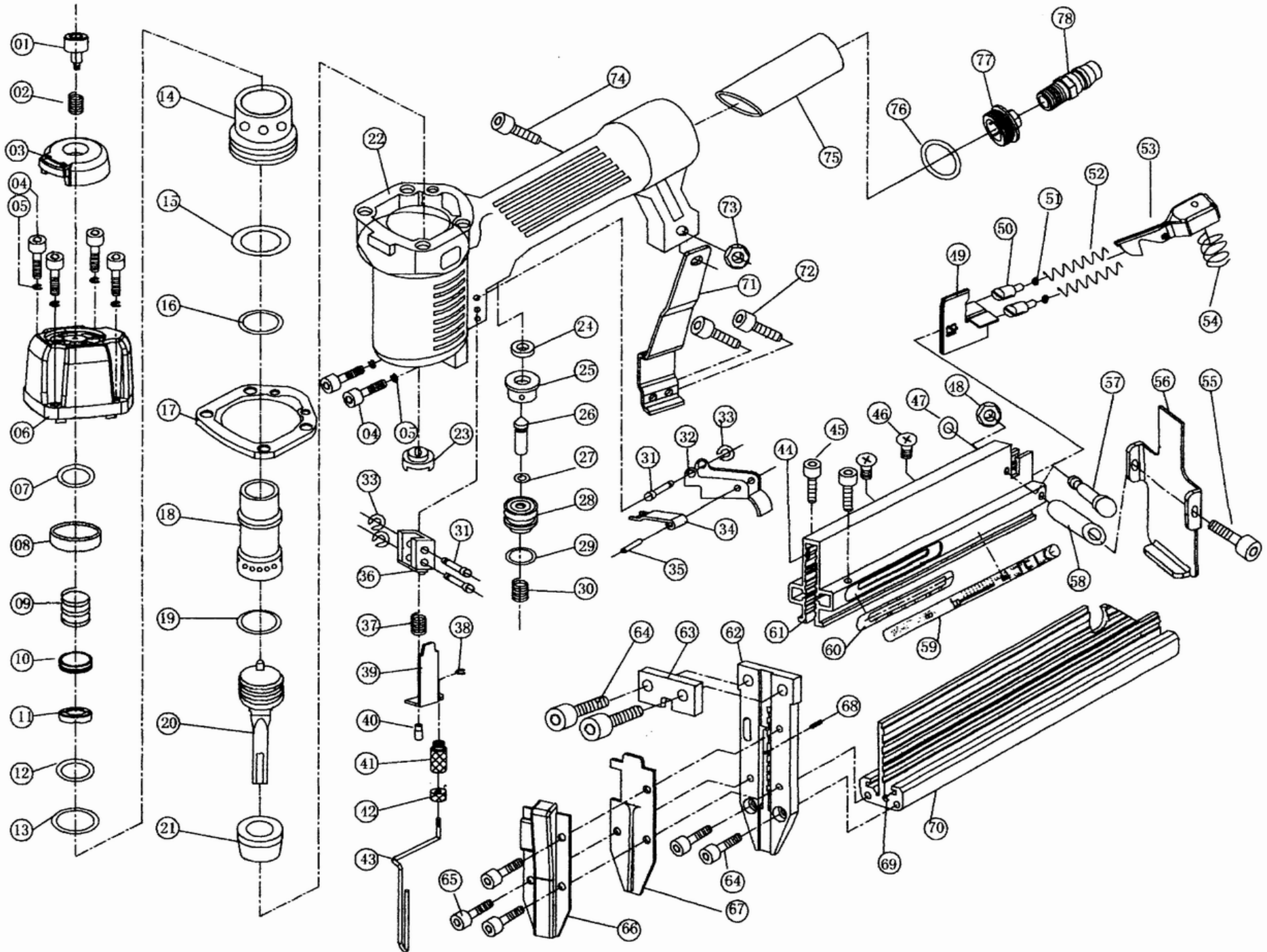


※ Model F5040 Parts List



No.	Description	No.	Description	No.	Description	No.	Description
1	Bolt	21	Bumper	41	Adj. Nut	61	Movable Magazine
2	Deflector Spring	22	Gun Body	42	Cap	62	Driver Guide
3	Air Deflector	23	Rubber Washer	43	Safety Stand	63	Spacer
4	Bolt M5×20	24	Rectangle Washer	44	Slice	64	Bolt M4×12
5	Spring Washer	25	Trigger Valve Seat	45	Bolt M4×12	65	Bolt M4×10
6	Cylinder Cover	26	Trigger Valve Stem	46	Bolt M4×6	66	Safety Cover
7	O-ring 13.7×2.4	27	O-ring 1.7×2	47	O-ring 2.4×1.8	67	Driver Guide Cover
8	Flat Washer	28	Trigger Valve Guide	48	Nut M4	68	Pin 1.5×12
9	Compressed Spring	29	O-ring 11.2×2	49	Pusher	69	Inlay Slice
10	Switch Valve	30	Compressed Spring	50	Pusher Pipe	70	Fixed Magazine
11	Sealing Washer	31	Step Pin	51	O-ring 4.5×1.2	71	Support Seat
12	O-ring 24.8×3.5	32	Trigger	52	Compressed Spring	72	Bolt M4×8
13	O-ring 31.2×2.5	33	E-ring ø2.5	53	Fixed Lever	73	Nut M4
14	Collar	34	Safety Spacer	54	Compressed Spring	74	Bolt M4×16
15	O-ring 42.6×2.35	35	Pin 2.5×16	55	Bolt M4×35	75	Rubber Handle Case
16	O-ring 30×1.8	36	Safety stand	56	Fixed Seat	76	O-ring 36.3×3.55
17	Sealing Washer	37	Spring	57	Step Pin	77	End Cap
18	Cylinder	38	Snap Retainer	58	Pipe	78	Air Inlet Plug
19	O-ring 29.7×3.55	39	Tip Stand	59	Sticker Plate		
20	Main piston	40	Pin	60	Indicate Label		