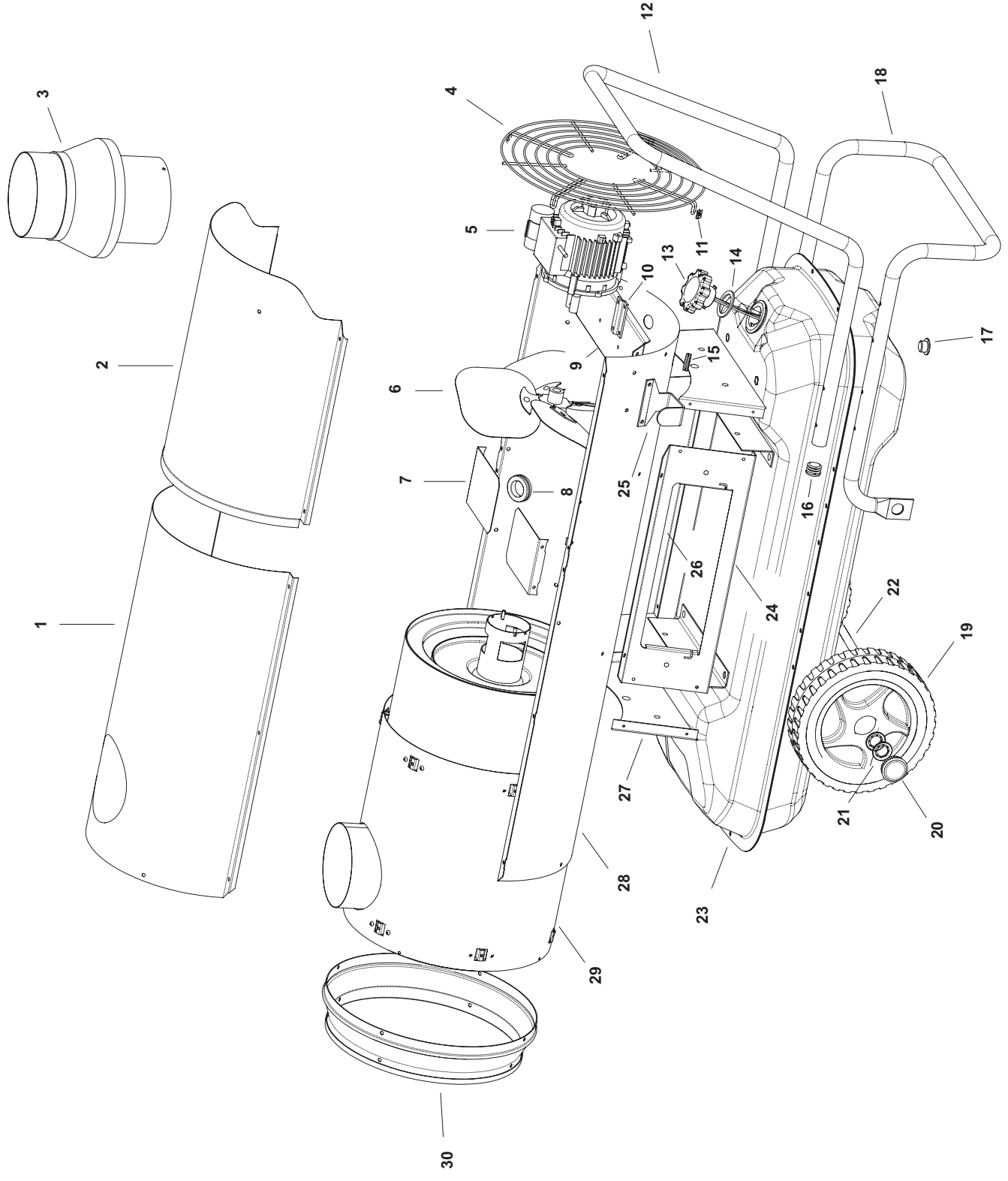


Bv110 E MASTER

UNIT 1

ILLUSTRATED PARTS BREAKDOWN

Edizione 2005
Rev. 0

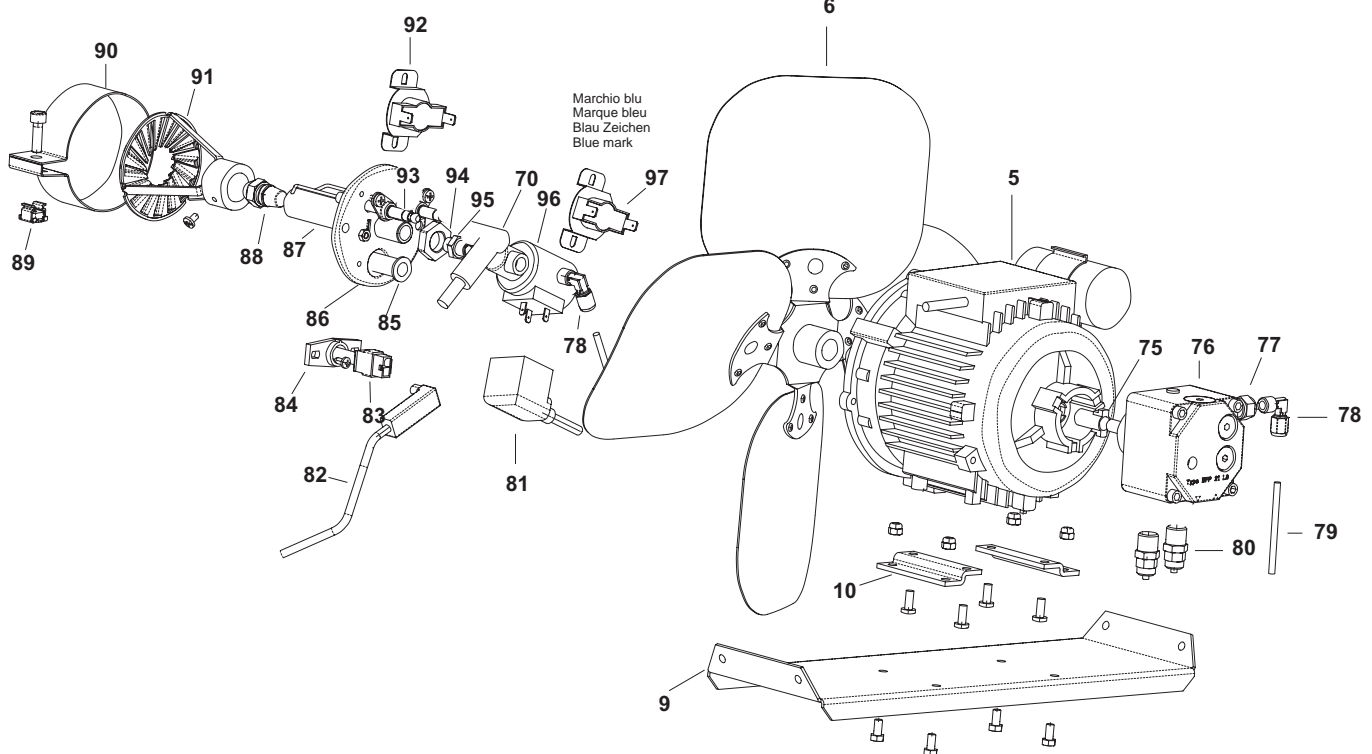
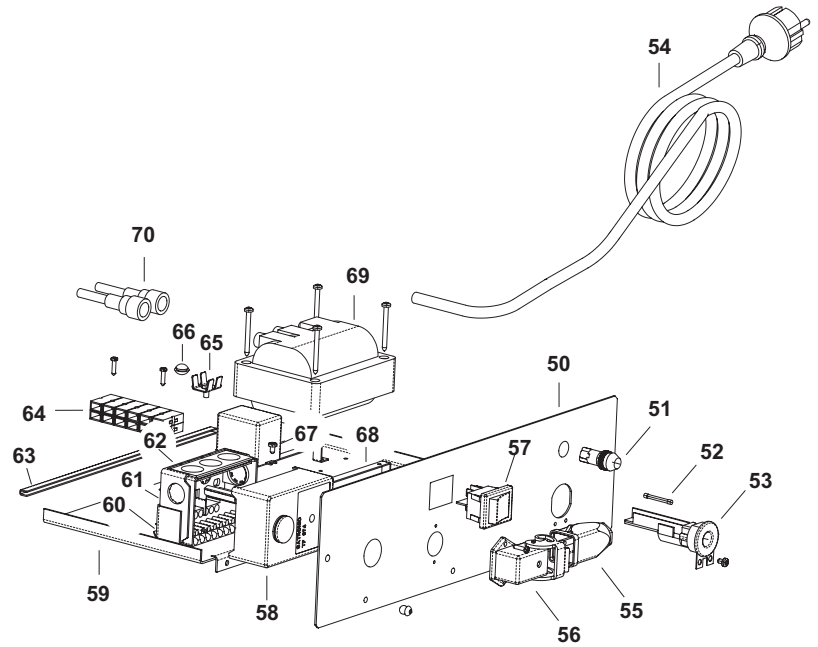
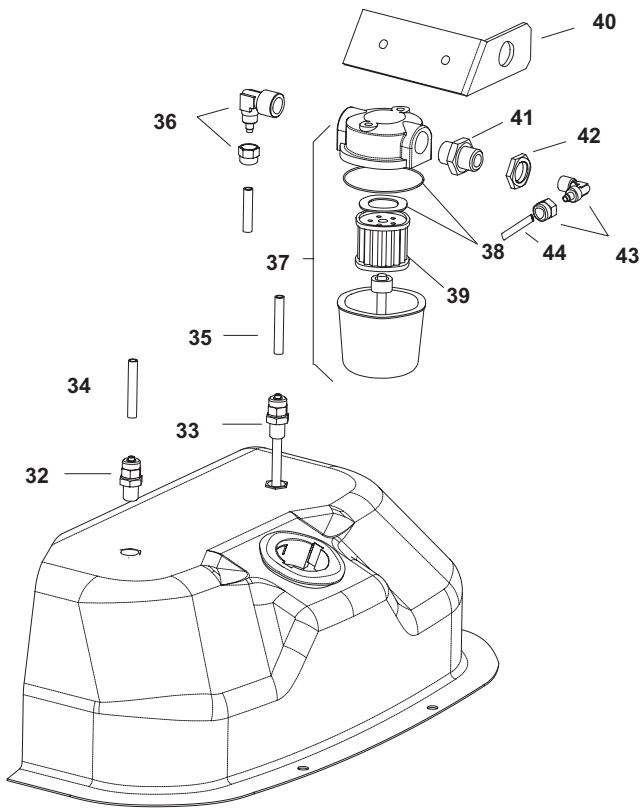


Bv110 E MASTER

UNIT 2

ILLUSTRATED PARTS BREAKDOWN

Edizione 2005
Rev. 0



A5 GH9F -B8 F97 H'C=@HEATERS BV 110

Pos.	Code NR	Description
1	4032.654	Upper body
2	4032.548	Upper body mobile
3	4032.534	Chimney
4	4032.557	Inlet grille
5	4032.594	Motor 2P. 250W
6	4032.593	Fan
7	4032.554	Air flap
8	4111.056	Protection cable
9	4032.555	Motor flange support
10	4032.519	Motor flange
11	4111.241	Elastic plate
12	4032.568	Handle Frame
13	4032.475	Fuel level probe
14	4032.537	Tank plug seal
15	4160.646	Protection cable
16	4032.616	Plug
17	4100.632	Drain plug
18	4032.564	Foot Frame
19	4032.094	Wheel Ø 250
20	4111.480	Wheel plug
21	4111.072	Wheel holder Ø 20
22	4032.566	Axle
23	4032.543	Fuel tank
24	4032.558	Electr. componets drawer panel
25	4032.536	Power cord hook
26	4032.560	Side Panel
27	4032.562	Base
28	4111.625	Lower body
29	4032.655	Combustion chamber
30	4032.544	Outlet cone
32	4032.488	Conn. straight M10
33	4032.092	Pipe connection M10
34	4032.597	Fuel pipe pump-tank
35	4032.595	Fuel pipe tank-filter
36	4031.803	Connection 90° 3/8"
37	4111.045	Filter with cartidge 3/8"
38	4111.116	OR KIT filter
39	4031.015	Filter cartridge
40	4032.437	Filter support
41	4031.802	Double screw
42	4031.800	Conn. straight 3/8" Mx5
43	4111.273	Connection 90° 1/8"
44	4032.596	fuel pipe filter-pump
50	4032.446	Electr. components drawer
51	4117.058	Pilot lamp 230V
52	4111.040	Fuse (6,3x32) 10 A
53	4111.038	Cable fastener

A5 GH9F`B8=F97HC=@HEATERS BV 110

Pos.	Code NR	Description
54	4111.153	Power cord 3mt
55	4111.118	Thermostat plug
56	4111.119	Plate plug
57	4160.637	Switch 16A
58	4110.968	Control box Satronic
59	4032.448	Electr. Components base
60	4032.499	Control box support
61	4110.969	Control box base
62	4110.967	PG plate
63	4110.155	Edge Liner
64	4111.033	Terminal board
65	4160.639	Pop rivet with termin. 4 way
66	4032.450	Plastic pin
67	4111.032	Relay Finder
68	4111.030	Transformer support
69	4031.035	Transformer
70	4110.971	H.T. cable
75	4111.081	Coupling Simel
76	4032.093	Pump Danfoss BFP 21-L3L
77	4161.501	Nut for bicone 1/8
78	4161.140	Connection 90° 1/8"
79	4111.049	Oil supply pipe
80	4031.160	Conn. Straight 1/4"
81	4032.110	Power cord Solenoid spool
82	4110.970	Photocell conn. cable.
83	4110.966	Photocell
84	4111.076	Photocell block bracket
85	4032.406	Photocell support
86	4032.574	Burner flange
87	4032.403	Nozzle support
88	4031.020	Nozzle 0,65 GPH 80°
89	4032.454	Nut M6
90	4032.545	Air regulatoin flap
91	4032.570	Turbo disc
92	4031.045	Fan Thermostat
93	4031.095	Electrode
94	4032.407	Conn. straight Mx14x6
95	4160.968	Conn. straight 1/8"
96	4102.535	Solenoid spool 230V/50Hz
97	4031.047	Limit Thermostat