

Tool model
Tool Status

BRT160-B-E
active

BOSTITCH®

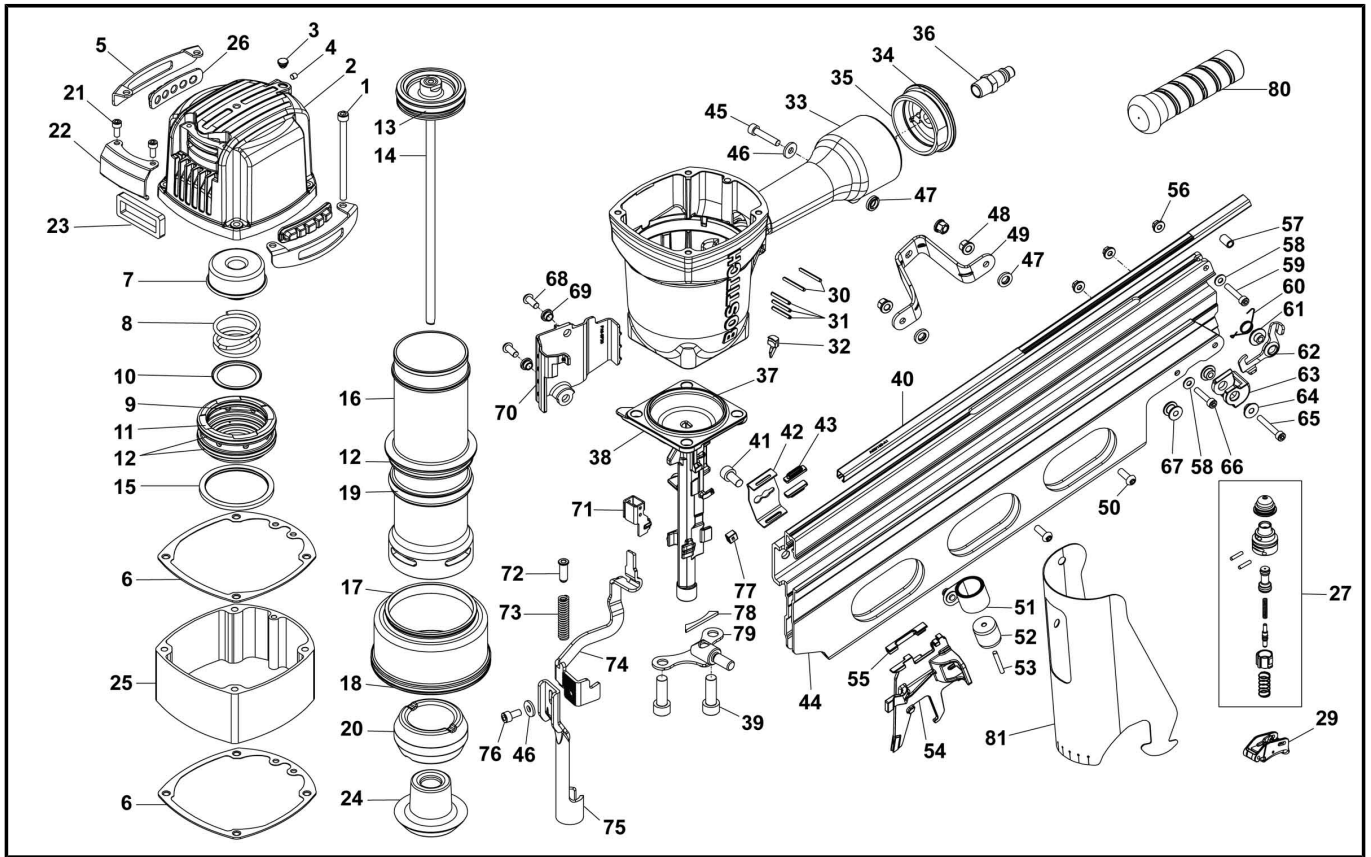


Chart Ref	Spare part code	Description	Status	Previous Part Code 1	Previous Part Code 2
1	9R196781	BOLT	active		
2	7BUSB-3103001	ASSEMBLY, CAP	active		
3	1135S-0350001	GROMMET	active		
4	2040104-03010	HEX.SOC.HD.SCREW	active		
5	11397-1034702	GUIDE, COVER	active		
6	11302-1034701	CYLINDER CAP SEAL	active		
7	11370-1030001	SEAL	active		
8	11360-1030001	COMPRESSION SPRING	active		
9	2041108-06050	O-RING	active		
10	11381-1030001	WASHER	active		
11	11368-1030001	HD VALVE PISTON	active		
12	2041108-07050	O-RING	active		
13	2041100-06011	O-RING	active		
14	9R196782	PISTON SA	active		
15	11399-1030001	COLLAR	active		
16	9R196783	CYLINDER	active		
17	9R196784	SPACER	active		
18	2041104-11010	O-RING	active		
19	2041108-07060	O-RING	active		
20	11327-1034702	BUMPER- A	active		
21	2040101-03050	BOLT	active		
22	11371-1034701	DEFLECTOR	active		
23	1132T-1030001	MUFFLER	active		
24	11327-1034703	BUMPER-B	active		
25	9R196787	BODY	active		

Chart Ref	Spare part code	Description	Status	Previous Part Code 1	Previous Part Code 2
26	1135R-1034701	PROTECTIVE CUSHION	active		
27	11226-1450001	VALVES & SEALS KIT	active		
29	11224-1455201	TRIGGER	active		
30	9R196803	PIN	active		
31	2040401-05120-0	PIN	active		
33	11230-1458001	HOUSING	active		
34	9R196806	O RING	active		
35	9R196807	END CAP	active		
36	9R196808	PLUG	active		
37	2041104-08020	O-RING	active		
38	9R196809	NOSE	active		
39	MSC10150-30	SCREW, SHCS M10X1.50X30 LG.	active		
40	9R196810	GUIDE ROD	active		
41	9R196811	BOLT	active		
42	9R196812	GUIDE	active		
43	9R196813	PAD	active		
44	9R196814	MAGAZINE	active		
45	9R196815	BOLT	active		
46	2040202-04010	FLAT WASHER	active		
47	9R196816	SEAL	active		
48	2040501-04010	CAP, BOLT	active		
49	9R196817	BRACKET	active		
50	9R196818	BOLT	active		
51	9R196819	SPRING GUIDE	active		
52	9R196820	ROLLER	active		
53	9R196821	ROLLPIN	active		
54	9R196822	BRACKET	active		
55	9R196823	BEARING	active		
56	2040501-03040	NUT	active		
57	9R196825	BUSHING	active		
58	9R196826	WASHER	active		
59	9R196827	BOLT	active		
60	9R196828	SPRING	active		
61	9R196829	WASHER	active		
62	9R196830	LATCH	active		
63	9R196831	BUMPER	active		
64	9R196832	SPACER	active		
65	BB40432	BOLT	active		
66	9R196833	BOLT	active		
67	9R196834	SPACER	active		
68	9R196835	BOLT	active		
69	9R196836	INSERT	active		
70	9R196837	COVER	active		
71	N70145	GUIDE,ARM	active		
72	9R196838	ROD	active		
73	9R196839	SPRING	active		
74	9R196840	BRACKET	active		
75	9R196841	BRACKET	active		
76	MSB6100-12	SCREW,SBHCS,M6X1.00X12	active		
77	9R196842	BUMPER	active		

Chart Ref	Spare part code	Description	Status	Previous Part Code 1	Previous Part Code 2
78	1135G-1114701	RUBBER PAD	active		
79	1120K-1114701	SECOND HANDLE BASE (KIT)	active		
80	9R196844	HANDLE	active		
81	9R196845	GUARD	active		