

Tool model  
Tool Status

65155  
active

**BOSTITCH®**

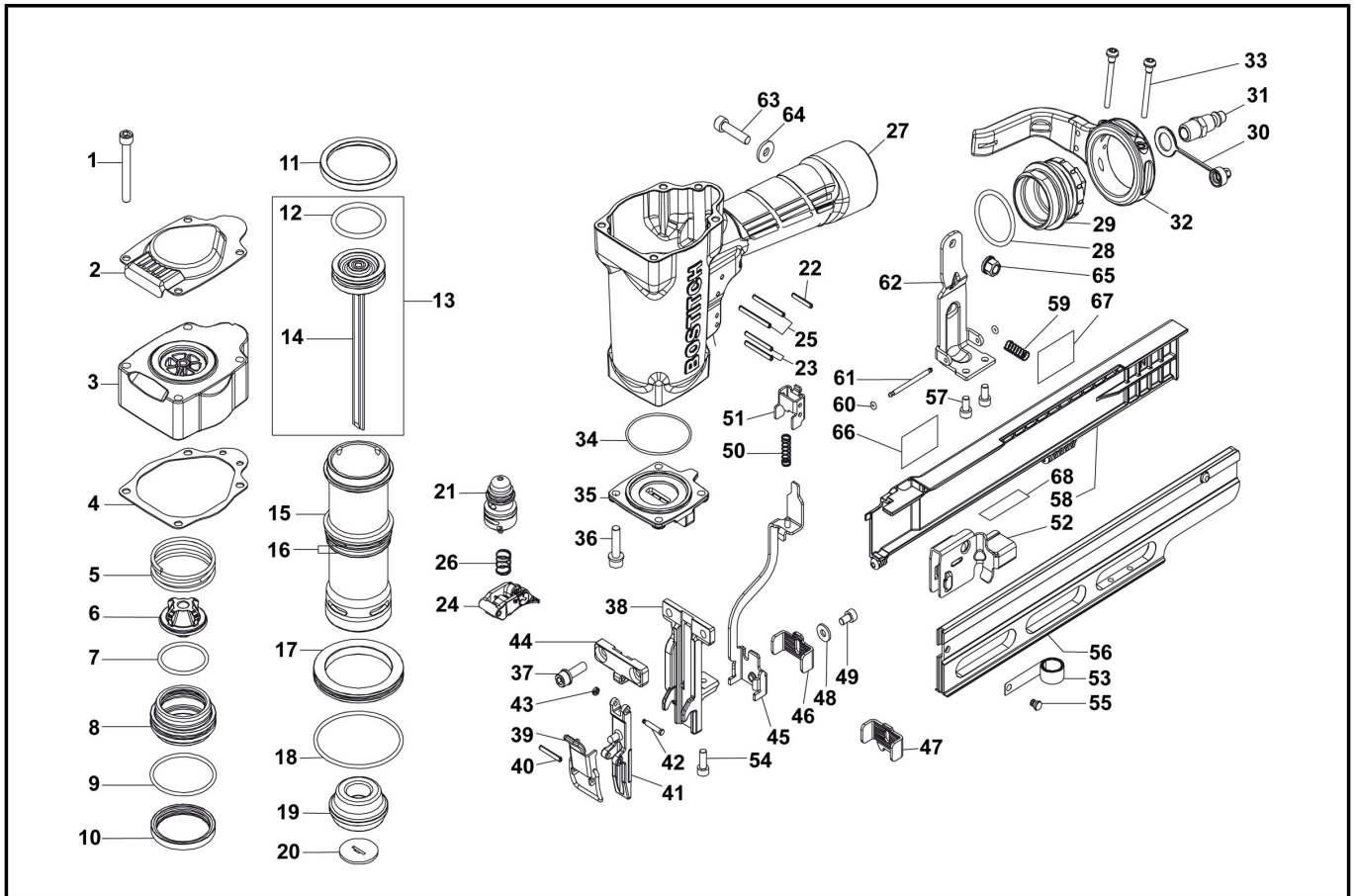


Chart Ref	Spare part code	Description	Status	Previous Part Code 1	Previous Part Code 2
1	<a href="#">MSC6100-50</a>	SCREW,SHSC,M6X1.00X50	active		
2	<a href="#">9R189903</a>	DEFLECTOR	active		
3	<a href="#">9R189904</a>	CAP	active		
4	<a href="#">9R189905</a>	SEAL	active		
5	<a href="#">9R189872</a>	SPRING COMPRESSION	active		
6	<a href="#">9R189871</a>	SEAL	active		
7	<a href="#">9R189906</a>	O RING	active		
8	<a href="#">9R189870</a>	PISTON	active		
9	<a href="#">9R189907</a>	O RING	active		
10	<a href="#">9R189908</a>	COLLAR	active		
11	<a href="#">9R189909</a>	RING	active		
12	<a href="#">9R189910</a>	O RING	active		
13	<a href="#">000000-05</a>	PARTIAL SUPPORT	active		
14	<a href="#">9R189866</a>	DRIVER SA	active		
15	<a href="#">9R189868</a>	CYLINDER	active		
16	<a href="#">9R189911</a>	O RING	active		
17	<a href="#">9R189912</a>	SPACER	active		
18	<a href="#">9R189913</a>	O RING	active		
19	<a href="#">9R189865</a>	BUMPER	active		
20	<a href="#">9R189869</a>	GUIDE	active		
21	<a href="#">TVA6</a>	KIT,TRIGGER VALVE	active		
22	<a href="#">MPP030020</a>	PIN,SPIRAL M3X20MM	active		
23	<a href="#">102549</a>	PIN,SPECIAL SPIROL M3XM25	active		
24	<a href="#">9R189916</a>	TRIGGER	active		

Chart Ref	Spare part code	Description	Status	Previous Part Code 1	Previous Part Code 2
25	<a href="#">100298</a>	PIN, SPIRAL M3X30	active		
26	<a href="#">9R189902</a>	SPRING	active		
27	<a href="#">9R189918</a>	BODY	active		
28	<a href="#">9R189919</a>	O RING	active		
29	<a href="#">9R189920</a>	END CAP	active		
30	<a href="#">9R189921</a>	PLUG	active		
31	<a href="#">10.320.5152</a>	NIPPLE 1/4M (EURO)	active		
32	<a href="#">9R189923</a>	HOOK	active		
33	<a href="#">9R189924</a>	SCREW	active		
34	<a href="#">9R189926</a>	O RING	active		
35	<a href="#">9R189927</a>	BASE	active		
36	<a href="#">MSC6100-25</a>	SCREW, SHCS, M6X1.00X25	active		
37	<a href="#">000000-05</a>	PARTIAL SUPPORT	active		
38	<a href="#">9R189930</a>	NOSE	active		
39	<a href="#">9R189931</a>	LATCH	active		
40	<a href="#">9R189932</a>	PIN	active		
41	<a href="#">9R189933</a>	COVER-TOP	active		
42	<a href="#">9R189934</a>	PIN	active		
43	<a href="#">9R189935</a>	RETAINER	active		
44	<a href="#">9R189936</a>	COVER	active		
45	<a href="#">9R189937</a>	ARM	active		
46	<a href="#">9R189938</a>	CONTACT	active		
47	<a href="#">9R189925</a>	SLIDER	active		
48	<a href="#">9R189939</a>	WASHER	active		
49	<a href="#">MSC5080-8</a>	SCREW, SHCS, M5X0.80X8	fut disc		
50	<a href="#">9R189941</a>	SPRING	active		
51	<a href="#">9R189942</a>	GUIDE	active		
52	<a href="#">9R189873</a>	PUSH BLOCK	active		
53	<a href="#">9R189867</a>	SPRING	active		
54	<a href="#">9R189943</a>	BOLT	active		
55	<a href="#">9R189875</a>	SPRING	active		
56	<a href="#">9R189874</a>	MAGAZINE SA	active		
57	<a href="#">MSC5080-10</a>	SCREW, SHCS, M5X0.80X10	fut disc		
58	<a href="#">9R189945</a>	COVER	active		
59	<a href="#">9R189946</a>	SPRING	active		
60	<a href="#">9R189947</a>	O RING	active		
61	<a href="#">9R189948</a>	PIN	active		
62	<a href="#">9R189949</a>	BRACKET	active		
63	<a href="#">MSC6100-25</a>	SCREW, SHCS, M6X1.00X25	active		
64	<a href="#">MPW6</a>	WASHER	fut disc		
65	<a href="#">MHE6100-100</a>	NUT, ESN M6X1	active		
66	<a href="#">000000-05</a>	PARTIAL SUPPORT	active		
67	<a href="#">000000-05</a>	PARTIAL SUPPORT	active		
68	<a href="#">000000-05</a>	PARTIAL SUPPORT	active		