

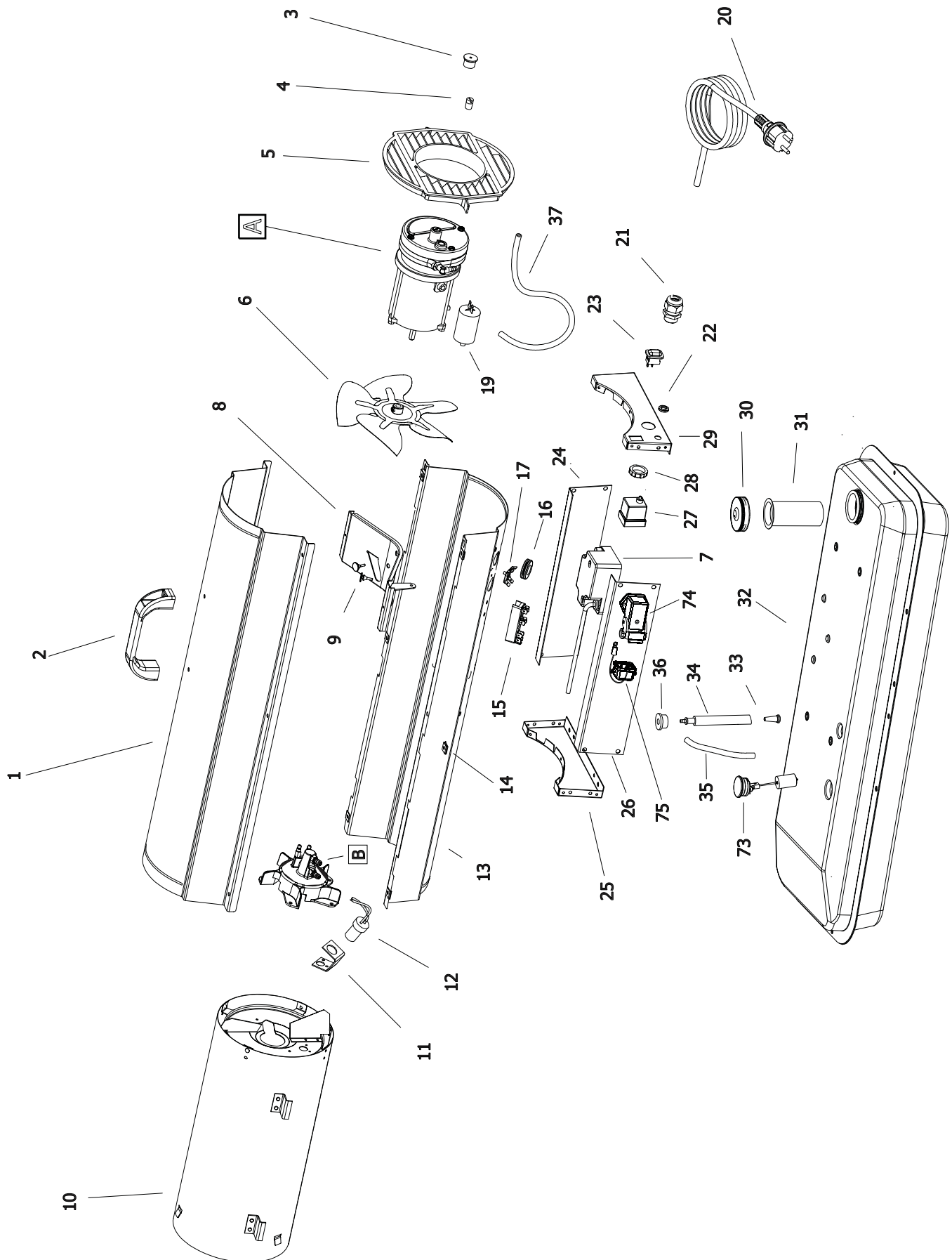
B 70 CED MODEL 2012

UNIT 1

ILLUSTRATED PARTS BREAKDOWN

From Serial Number: 32104294

Edizione 2012
Rev. B



B 70 CED MODEL 2012

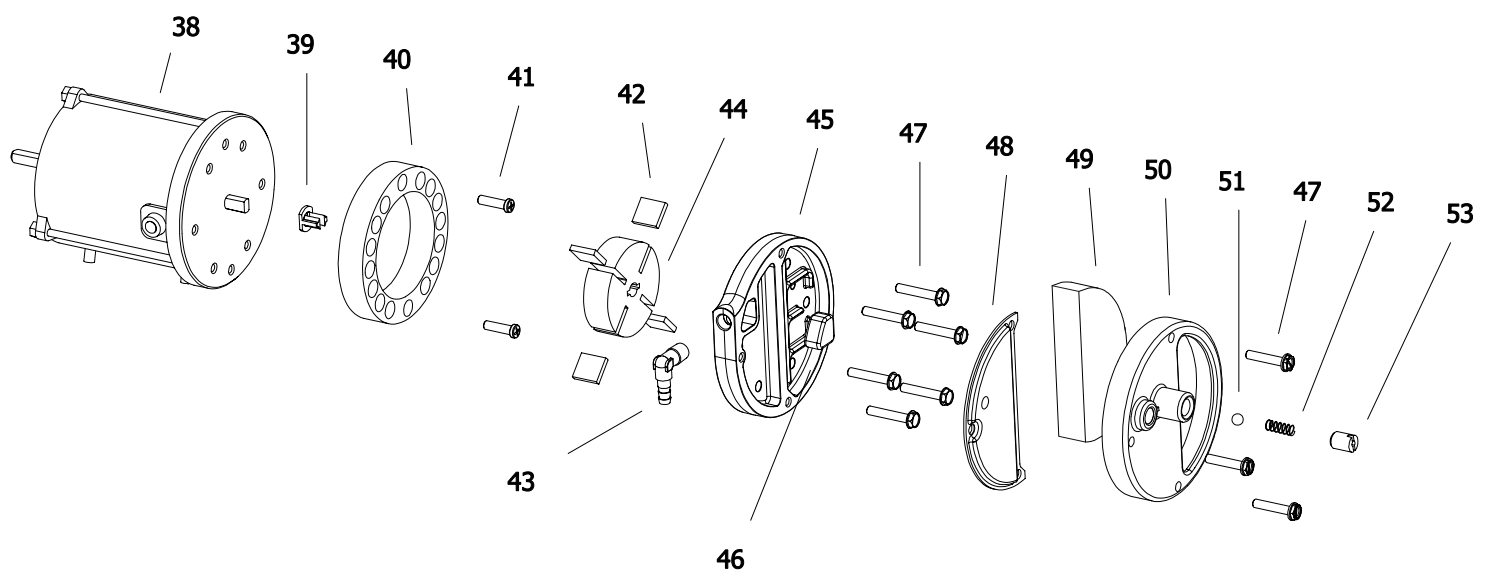
UNIT 2

ILLUSTRATED PARTS BREAKDOWN

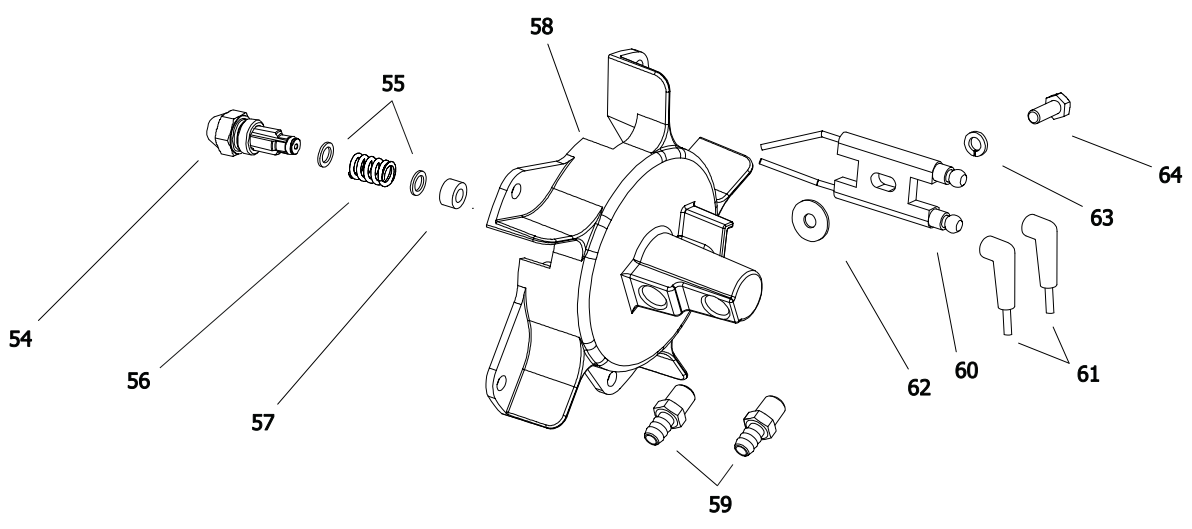
A

From Serial Number: 32104294

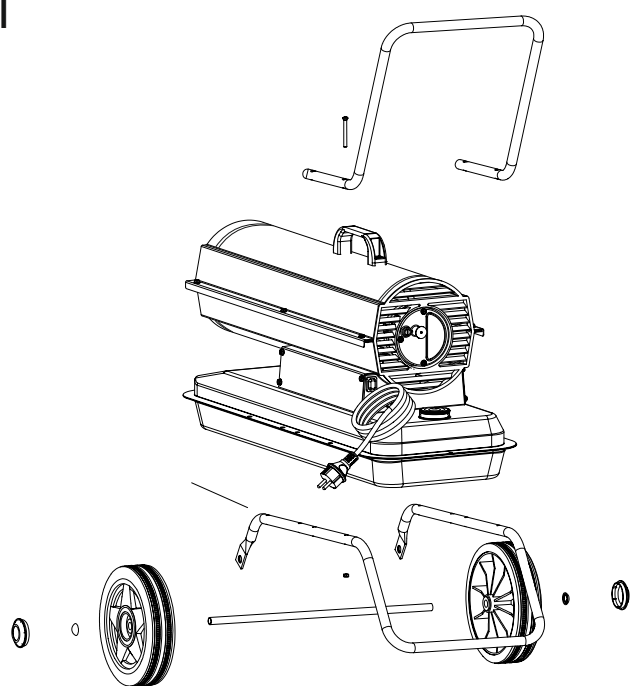
Rev. B - May 2012



B



4103.925 WHEEL KIT



Pos.	Code NR	Description
1	4110.121	UPPER SHELL
2	4162.893	PLASTIC HANDLE
3	4100.666	COVER CAP
4	4102.125	PRESSURE GAUGE CAP
5	4103.685	FAN GUARD
6	4100.662	FAN
7	4111.885	ELECTRONIC IGNITOR
8	4110.187	MOTOR BRACKET
9	4150.553	BUMPER
10	4104.090	COMBUSTION CHAMBER
11	4100.658	PHOTOCELL BRACKET
12	4110.564	PHOTOCELL ASSEMBLY
13	4110.535	LOWER SHELL
14	4104.170	CLIP NUT
15	4106.110	TERMINAL BOARD
16	4160.646	CABLE PROTECTION
17	4160.639	RIVET POP
19	4110.293	CAPACITOR
20	4110.451	POWER CORD
21	4150.528	STRAIN RELIEF
22	4109.592	NUT
23	4106.179	ON/OFF SWITCH
24	4110.560	RIGHT PANEL
25	4110.113	FRONT FRAME BRACKET
26	4110.560	LEFT PANEL
26	4110.794	LEFT PANEL FROM SERIAL NUMBER 32117091
27	4104.196	FLAME-OUT CONTROL
28	4100.656	LOCKNUT
29	4110.514	REAR FRAME BRACKET
30	4103.891	FUEL TANK CAP
31	4105.292	FUEL TANK FILTER
32	4110.384	FUEL TANK
33	4110.356	FUEL FILTER
34	4110.391	FUEL LINE
35	4110.032	FUEL LINE
36	4100.541	RUBBER BUSHING

Pos.	Code NR	Description
37	4104.147	AIR LINE
38	4110.480	MOTOR 1/8 HP
39	4108.635	INSERT
40	4101.317	PUMP BODY
41	4108.588	PUMP BODY SCREW
42	4101.200	BLADE
43	4100.661	BARB ELBOW
44	4108.627	ROTOR
45	4109.724	PUMP END COVER
46	4109.716	LINT FILTER
47	4108.528	SCREW/LOCKWASHER 4,8x25
48	4109.708	OUTPUT FILTER
49	4109.690	INTAKE FILTER
50	4109.674	END COVER
51	4108.379	STEEL BALL
52	4102.141	PRESSURE RELIEF SPRING
53	4102.133	ADJUSTING SCREW
54	4103.486	NOZZLE
55	4100.525	WASHER
56	4100.533	NOZZLE SEAL SPRING
57	4101.622	NOZZLE SEAL SLEEVE
58	4110.399	BURNER HEAD BODY
59	4104.118	BARB FITTING
60	4110.337	BIFILAR ELECTRODES
61	4111.831	HT CABLE
62	4110.394	WASHER
63	4110.393	WASHER
64	4110.363	SCREW
73	4260.006	FUEL GAUGE
74	4111.119	THERMOSTAT SOCKET FROM SERIAL NUMBER 32117091
75	4162.467	CAP FOR THERMOSTAT SOCKET FROM SERIAL NUMBER 32117091
...	4103.925	WHEEL KIT HD B35/70