

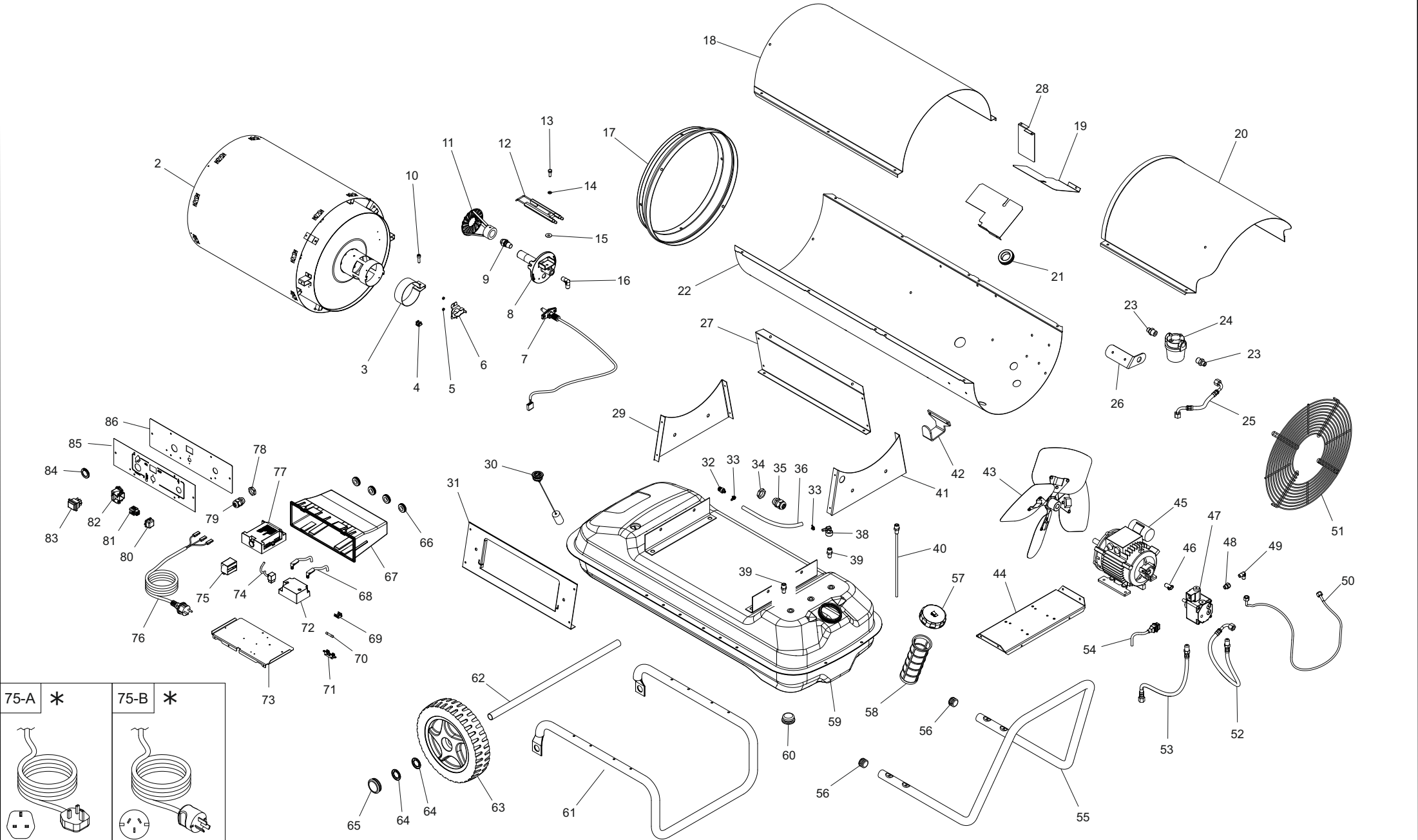
MODEL B360

UNIT 1

ILLUSTRATED PARTS BREAKDOWN

From Serial Number: 11837000170

Rev.H - Jan. 2017



| | |
|---------------------------|-------------------------------|
| 75-A * | 75-B * |
| | |
| POWER CORD UK (type G) | POWER CORD NEW ZL (type I) |

MODEL B360

UNIT 3

PARTS LIST

| POS. | Code NR | Description | Rev. H - Jan. 2017 |
|------|----------|--------------------------|--------------------|
| 1 | | | |
| 2 | 4033.197 | COMBUSTION CHAMBER | |
| 3 | 4032.453 | AIR DAMPER | |
| 4 | 4032.454 | CAGE NUT | |
| 5 | 4032.692 | SPACER | |
| 6 | 4031.047 | SAFETY THERMOSTAT | |
| 7 | 4033.246 | PHOTOCELL SENSOR | |
| 8 | 4033.059 | BURNER HEAD | |
| 9 | 4111.143 | NOZZLE | |
| 10 | 4032.455 | SCREW | |
| 11 | 4033.071 | BURNER HEAD DIFFUSER | |
| 12 | 4111.826 | BIFILAR ELECTRODES | |
| 13 | 4110.363 | SCREW | |
| 14 | 4110.393 | ELASTIC WASHER | |
| 15 | 4110.394 | FIBER WASHER | |
| 16 | 4033.198 | 90° FUEL CONNECTION | |
| 17 | 4032.452 | OUTLET CONE | |
| 18 | 4111.604 | UPPER SHELL | |
| 19 | 4032.462 | AIR DEFLECTOR | |
| 20 | 4033.263 | UPPER SHELL - MOBILE | |
| 21 | 4111.056 | GASKET | |
| 22 | 4033.264 | LOWER SHELL | |
| 23 | 4034.378 | STRAIGHT FUEL CONNECTION | |
| 24 | 4033.090 | FUEL FILTER | |
| 25 | 4031.063 | FUEL PIPE - FILTER TANK | |
| 26 | 4032.437 | FILTER BRACKET | |
| 27 | 4032.468 | LATERAL PANEL | |
| 28 | 4032.518 | UPPER AIR DEFLECTOR | |
| 29 | 4032.470 | FRONT PANEL | |
| 30 | 4260.105 | FUEL GAUGE | |
| 31 | 4032.466 | LATERAL CONTROL PANEL | |
| 32 | 4260.246 | BREATH VALVE | |
| 33 | 4100.810 | CLIP | |
| 34 | 4100.656 | NUT | |
| 35 | 4150.528 | STRAIN RELIEF | |
| 36 | 4100.187 | RUBBER PIPE | |
| 37 | | | |
| 38 | 4100.192 | 90° AIR CONNECTION | |
| 39 | 4031.068 | STRAIGH CONNECTION | |
| 40 | 4031.067 | SUCTION PIPE | |
| 41 | 4034.298 | REAR PANEL | |
| 42 | 4032.536 | POWER CORD BRACKET | |
| 43 | 4033.019 | FAN | |
| 44 | 4032.463 | MOTOR SUPPORT | |
| 45 | 4032.370 | MOTOR | |
| 46 | 4111.081 | MOTOR PUMP COUPLING | |
| 47 | 4033.313 | FUEL PUMP | |
| 48 | 4161.501 | STRAIGHT FUEL CONNECTION | |
| 49 | 4033.198 | 90° FUEL CONNECTION | |
| 50 | 4033.186 | FUEL FLEXIBLE PIPE | |
| 51 | 4032.465 | GRILLE | |
| 52 | 4031.061 | FUEL PIPE - PUMP-FILTER | |
| 53 | 4031.062 | FUEL PIPE - PUMP-TANK | |
| 54 | 4033.087 | PUMP VALVE POWER CORD | |
| 55 | 4032.480 | HANDLE | |

MODEL B360

UNIT 4

PARTS LIST

| POS. | Code NR | Description | Rev. H - Jan. 2017 |
|------|----------|-------------------------------------|--------------------|
| 56 | 4111.057 | HANDLE CAP | |
| 57 | 4034.283 | TANK CAP | |
| 58 | 4290.213 | TANK FILTER | |
| 59 | 4034.295 | TANK | |
| 60 | 4100.632 | TANK DRAIN CAP | |
| 61 | 4032.476 | WHEELS SUPPORT | |
| 62 | 4032.478 | WHEELS AXLE | |
| 63 | 4110.978 | WHEEL | |
| 64 | 4111.072 | BLOCK WASHER | |
| 65 | 4111.480 | WHEEL CAP | |
| 66 | 4160.646 | GASKET | |
| 67 | 4033.257 | PLASTIC BOX | |
| 68 | 4110.490 | HIGH TENSION WIRE | |
| 69 | 4160.639 | GROUND FASTON | |
| 70 | 4111.040 | FUSE | |
| 71 | 4033.301 | FUSE HOLDER | |
| 72 | 4031.541 | HIGH TENSION TRANSFORMER | |
| 73 | 4033.249 | CONTROL PANEL BASE | |
| 74 | 4110.491 | HIGH TENSION TRANSFORMER POWER CORD | |
| 75 | 4031.514 | RELAY | |
| 76 | 4033.253 | POWER CORD SCHUKO | |
| 76A | 4033.302 | POWER CORD UK | |
| 76B | 4033.252 | POWER CORD NEW ZEALAND | |
| 77 | 4032.774 | PC-BOARD | |
| 78 | 4100.656 | NUT | |
| 79 | 4150.528 | STRAIN RELIEF | |
| 80 | 4162.467 | THERMOSTAT CAP | |
| 81 | 4161.400 | THERMOSTAT PLUG | |
| 82 | 4160.647 | THERMOSTAT SOCKET | |
| 83 | 4165.204 | SWITCH | |
| 84 | 4033.251 | PC-BOARD CAP | |
| 85 | 4033.254 | CONTROL PANEL LABEL | |
| 86 | 4033.248 | CONTROL PANEL | |

RECOMMENDED SPARE PARTS

| POS. | Code NR | Description | Rev. H - Jan. 2017 |
|------|----------|--------------------------|--------------------|
| 6 | 4031.047 | SAFETY THERMOSTAT | |
| 7 | 4033.246 | PHOTOCELL SENSOR | |
| 9 | 4111.143 | NOZZLE | |
| 12 | 4111.826 | BIFILAR ELECTRODES | |
| 24 | 4033.090 | FUEL FILTER | |
| 45 | 4032.370 | MOTOR | |
| 47 | 4033.313 | FUEL PUMP | |
| 57 | 4034.283 | TANK CAP | |
| 58 | 4290.213 | TANK FILTER | |
| 70 | 4111.040 | FUSE | |
| 72 | 4031.541 | HIGH TENSION TRANSFORMER | |
| 75 | 4031.514 | RELAY | |
| 77 | 4032.774 | PC-BOARD | |

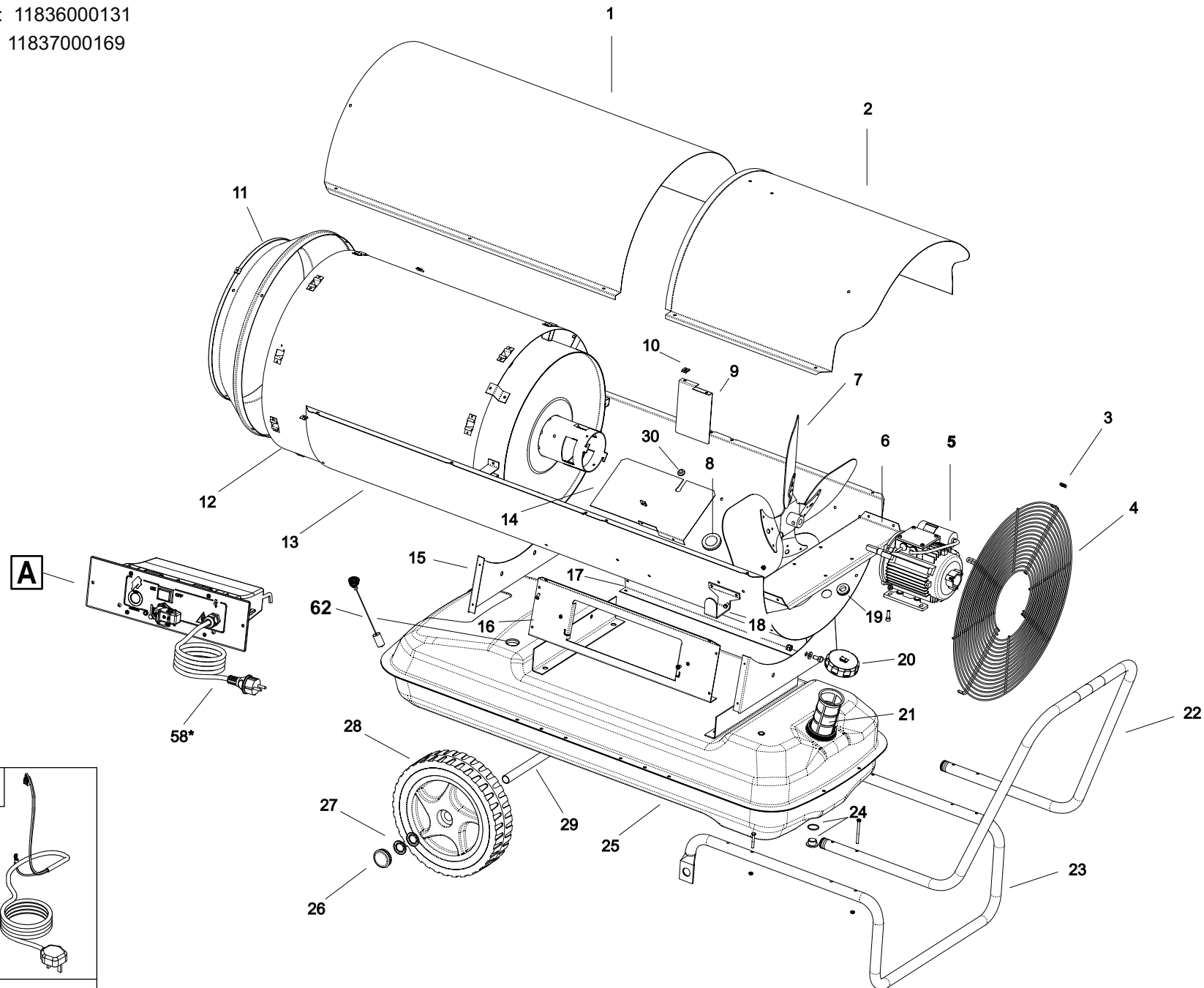
MODEL B360 E

UNIT 1

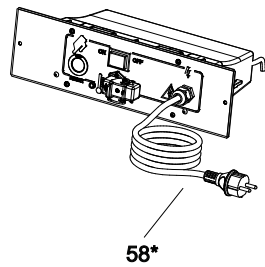
ILLUSTRATED PARTS BREAKDOWN

From Serial Number: 11836000131
Until Serial Number: 11837000169

Rev.G - Apr. 2016



A



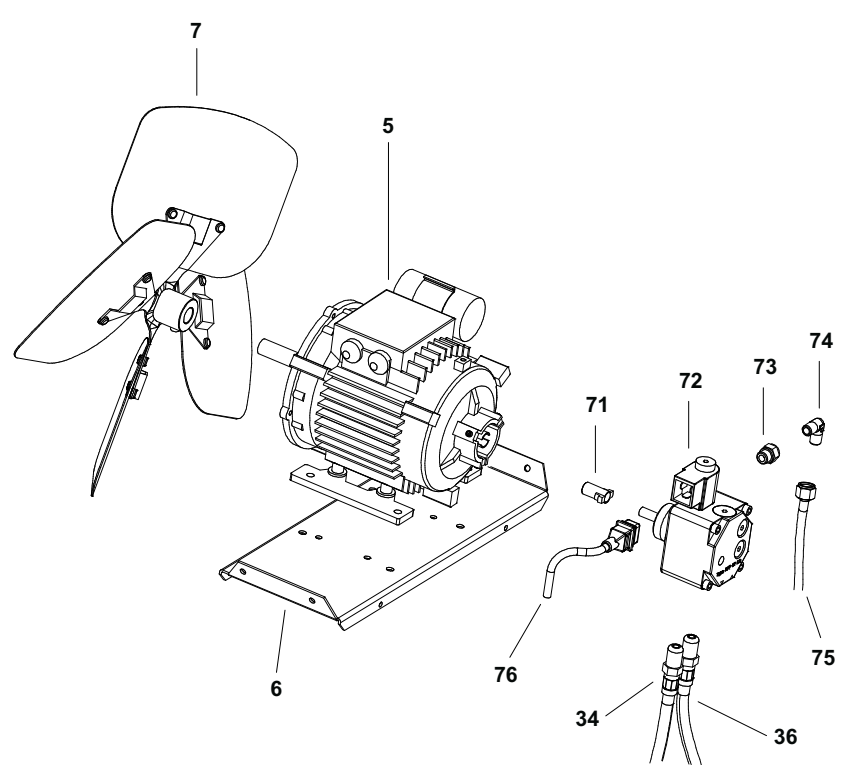
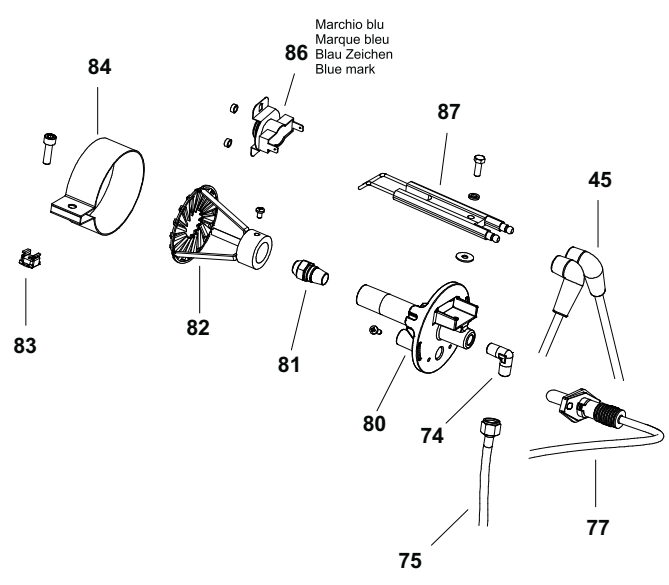
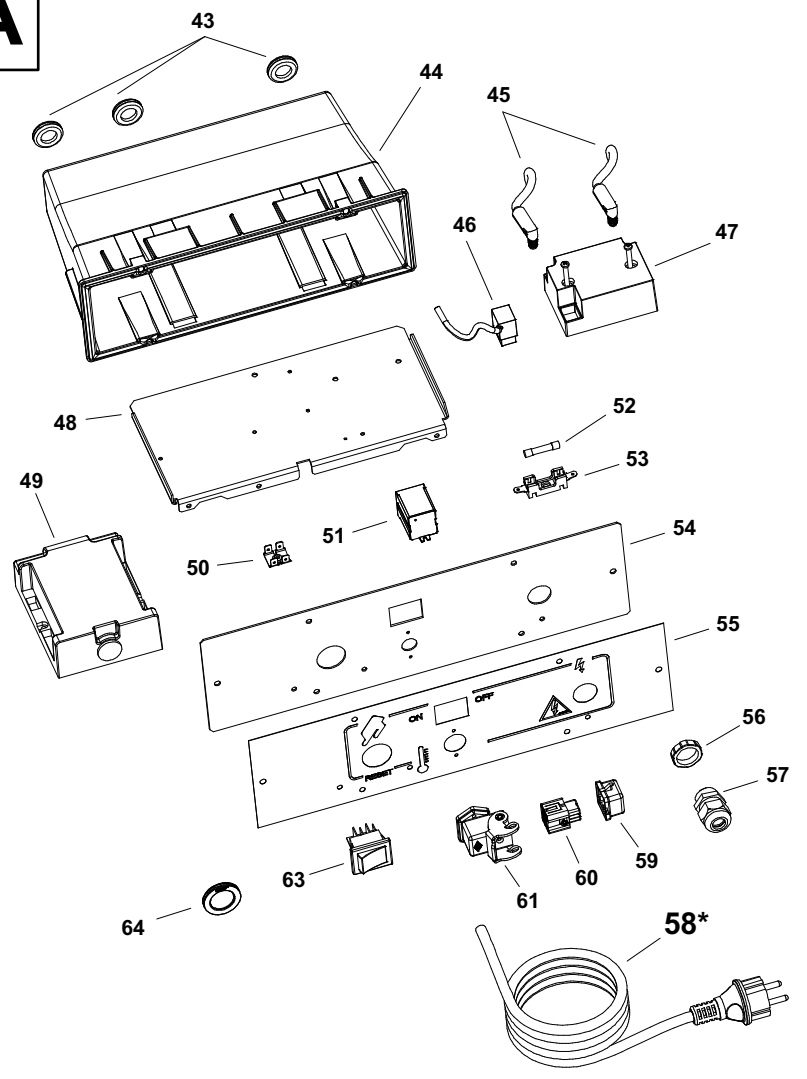
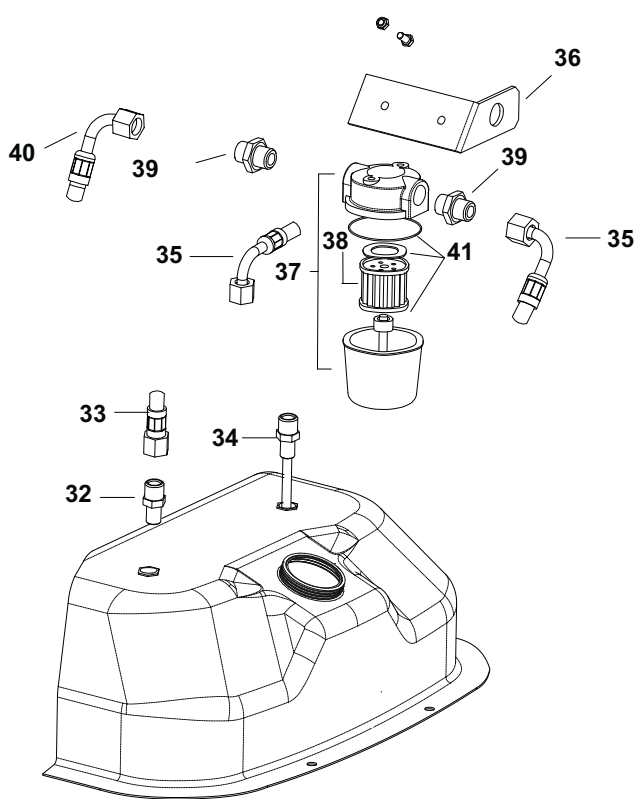
| | | | |
|---------------------------|--|------------------|--|
| 58-A | | 58-B | |
| * | | * | |
| | | | |
| POWER CORD NEW ZEALAND | | POWER CORD UK | |

MODEL B360 E

UNIT 2

ILLUSTRATED PARTS BREAKDOWN

A



Marchio blu
Marque bleu
Blau Zeichen
Blue mark

MODEL B360 E

UNIT 3

PARTS LIST

| POS. | Code NR | Description | Rev. G - Apr. 2016 |
|------|----------|---------------------------------|--------------------|
| 1 | 4111.604 | UPPER BODY | |
| 2 | 4033.263 | UPPER BODY MOBILE | |
| 3 | 4111.241 | ELASTIC PLATE Ø 4,2 | |
| 4 | 4032.465 | INLET GRILL | |
| 5 | 4032.370 | MOTOR | |
| 6 | 4032.463 | MOTOR FLANGE SUPPORT | |
| 7 | 4033.019 | FAN | |
| 8 | 4111.056 | PROTECTION CABLE | |
| 9 | 4032.518 | CENTRAL AIR FLAP | |
| 10 | 4104.170 | CLIP NUT | |
| 11 | 4033.223 | OUTLET CONE | |
| 12 | 4033.197 | COMBUSTION CHAMBER | |
| 13 | 4033.264 | LOWER BODY | |
| 14 | 4111.610 | AIR FLAP | |
| 15 | 4032.470 | BASE | |
| 16 | 4032.466 | ELECTR. COMPONENTS DRAWER PANEL | |
| 17 | 4032.468 | SIDE PANEL | |
| 18 | 4032.536 | POWER CORD HOOK | |
| 19 | 4160.646 | PROTECTION CABLE | |
| 20 | 4260.100 | TANK CAP | |
| 21 | 4290.213 | TANK FILTER | |
| 22 | 4032.480 | HANDLE FRAME | |
| 23 | 4032.476 | FOOT FRAME | |
| 24 | 4100.632 | DRAIG PLUG | |
| 25 | 4033.243 | FUEL TANK | |
| 26 | 4111.480 | WHEEL PLUG | |
| 27 | 4111.072 | WHEEL PLUG Ø 20 | |
| 28 | 4110.978 | WHEEL | |
| 29 | 4032.478 | AXLE | |
| 30 | 4101.151 | PROTECTION CABLE | |
| 32 | 4031.068 | CONN. STRAIGHT 1/4" | |
| 33 | 4031.062 | FUEL PIPE PUMP-TANK | |
| 34 | 4031.067 | PIPE CONNECTION 1/4" | |
| 35 | 4031.063 | FUEL PIPE TANK-FILTER | |
| 36 | 4032.437 | FILTER SUPPORT | |
| 37 | 4033.090 | FILTER WITH CARTIDGE 3/8" | |
| 38 | 4031.494 | FILTER CARTIDGE | |
| 39 | 4034" +, | DOUBLE SCREW | |
| 40 | 4031.061 | FUEL PIPE FILTER-PUMP | |
| 41 | 4111.116 | OR KIT FILTER | |
| 43 | 4160.646 | PROTECTION CABLE | |
| 44 | 4033.257 | PLASTIX BOX | |
| 45 | 4110.490 | HT CABLE | |
| 46 | 4033.256 | POWER CORD TRANSFORMATOR HT | |
| 47 | 4031.541 | TRANSFORMER HT | |
| 48 | 4033.249 | CONTROL BASE | |
| 49 | 4032.774 | CONTROL BOX | |
| 50 | 4160.639 | POP RIVET 4 WAY | |
| 51 | 4111.032 | RELAY | |
| 52 | 4111.040 | FUSE | |
| 53 | 4033.301 | FUSE HOLDER | |
| 54 | 4033.248 | FRONTAL CONTROLS PANEL | |
| 55 | 4033.254 | PANEL LABEL | |
| 56 | 4100.656 | LOCKNUT | |

MODEL B360 E

UNIT 4

PARTS LIST

| POS. | Code NR | Description | Rev. G - Apr. 2016 |
|------|----------|------------------------|--------------------|
| 57 | 4150.528 | STRAIN RELIEF BUSHING | |
| 58 | 4033.253 | POWER CORD SCHUKO | |
| 58-A | 4033.252 | POWER CORD NEW ZEALAND | |
| 58-B | 4033.302 | POWER CORD UK | |
| 59 | 4162.467 | THERMOSTAT CAP | |
| 60 | 4161.400 | CONNECTION PLUG | |
| 61 | 4160.647 | THERMOSTAT SOCKET 90° | |
| 62 | 4260.105 | FUEL GAUGE | |
| 63 | 4165.204 | ROCKER SWITCH | |
| 64 | 4033.251 | BOARD BUTTON CAP | |
| 71 | 4111.081 | COUPLING | |
| 72 | 4033.122 | PUMP | |
| 73 | 4161.501 | CONN. STRAIGHT 1/8" | |
| 74 | 4033.198 | ELBOW 1/8" | |
| 75 | 4033.186 | OIL SUPPLY PIPE | |
| 76 | 4033.311 | PUMP POWER CORD | |
| 77 | 4033.246 | PHOTOCELL | |
| 80 | 4033.059 | BURNER FLANGE | |
| 81 | 4111.143 | NOZZLE | |
| 82 | 4033.071 | TURBO DISC | |
| 83 | 4032.454 | M6 NUT | |
| 84 | 4032.453 | AIR REGULATION FLAP | |
| 86 | 4031.047 | LIMIT THERMOSTAT | |
| 87 | 4111.826 | ELECTRODE | |

RECOMMENDED SPARE PARTS

| POS. | Code NR | Description | Rev. G - Apr. 2016 |
|------|----------|------------------|--------------------|
| 5 | 4032.370 | MOTOR | |
| 38 | 4031.494 | FILTER CARTIDGE | |
| 41 | 4111.116 | OR KIT FILTER | |
| 45 | 4110.490 | HT CABLE | |
| 47 | 4031.541 | TRANSFORMER HT | |
| 49 | 4032.774 | CONTROL BOX | |
| 51 | 4111.032 | RELAY | |
| 52 | 4111.040 | FUSE | |
| 59 | 4162.467 | THERMOSTAT CAP | |
| 71 | 4111.081 | COUPLING | |
| 72 | 4033.122 | PUMP | |
| 76 | 4033.311 | POWER CORD PUMP | |
| 77 | 4033.246 | PHOTOCELL | |
| 81 | 4111.143 | NOZZLE | |
| 86 | 4031.047 | LIMIT THERMOSTAT | |
| 87 | 4111.826 | ELECTRODE | |

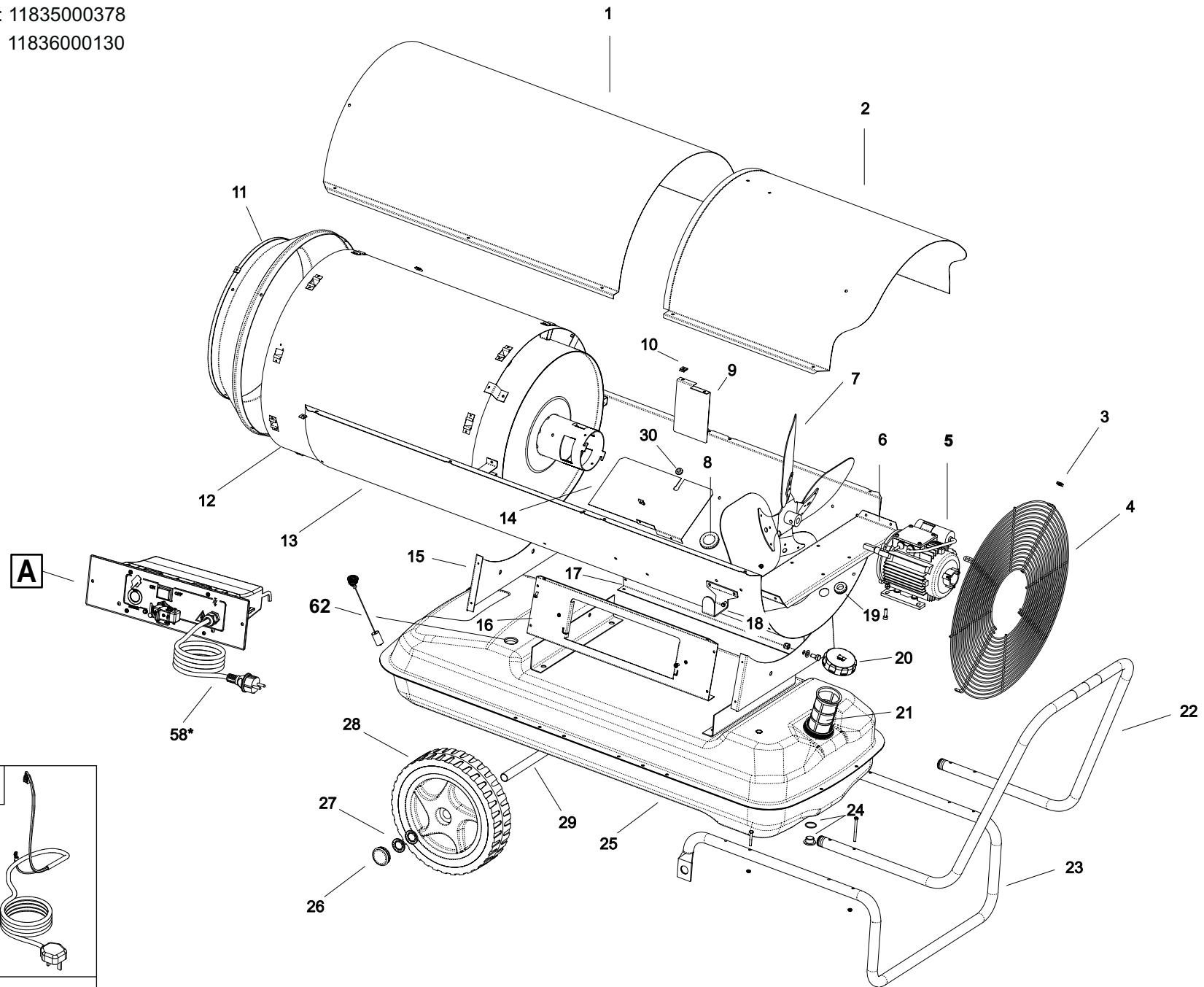
MODEL B360 E

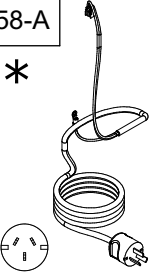
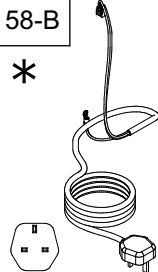


UNIT 1

ILLUSTRATED PARTS BREAKDOWN

From Serial Number: 11835000378
Until Serial Number: 11836000130

Rev.F - SEPT. 2015



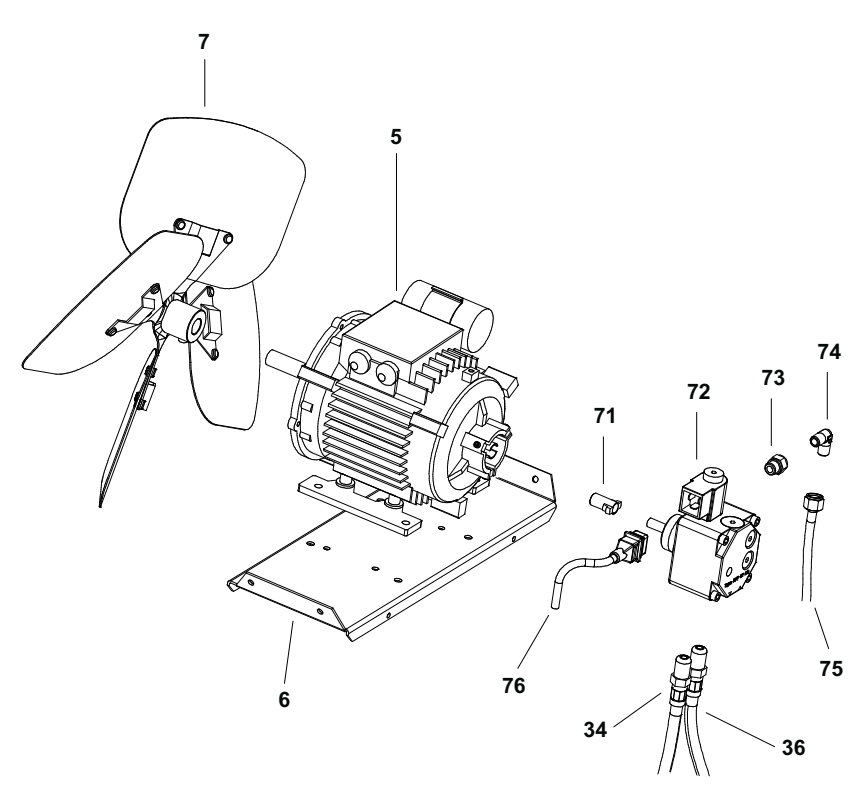
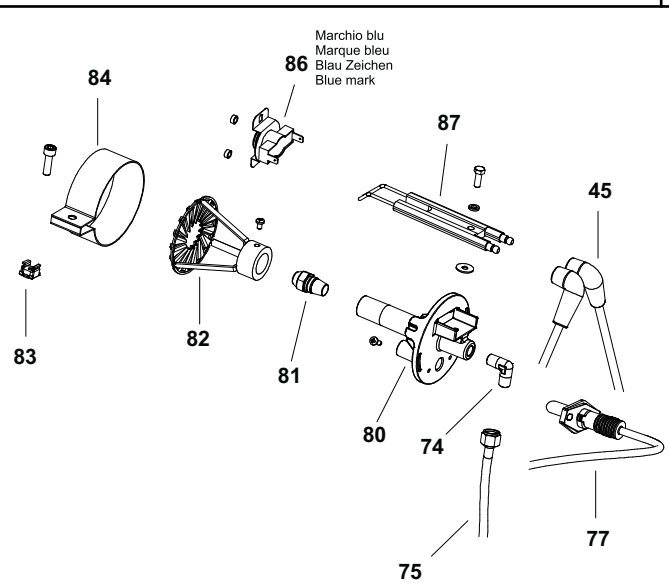
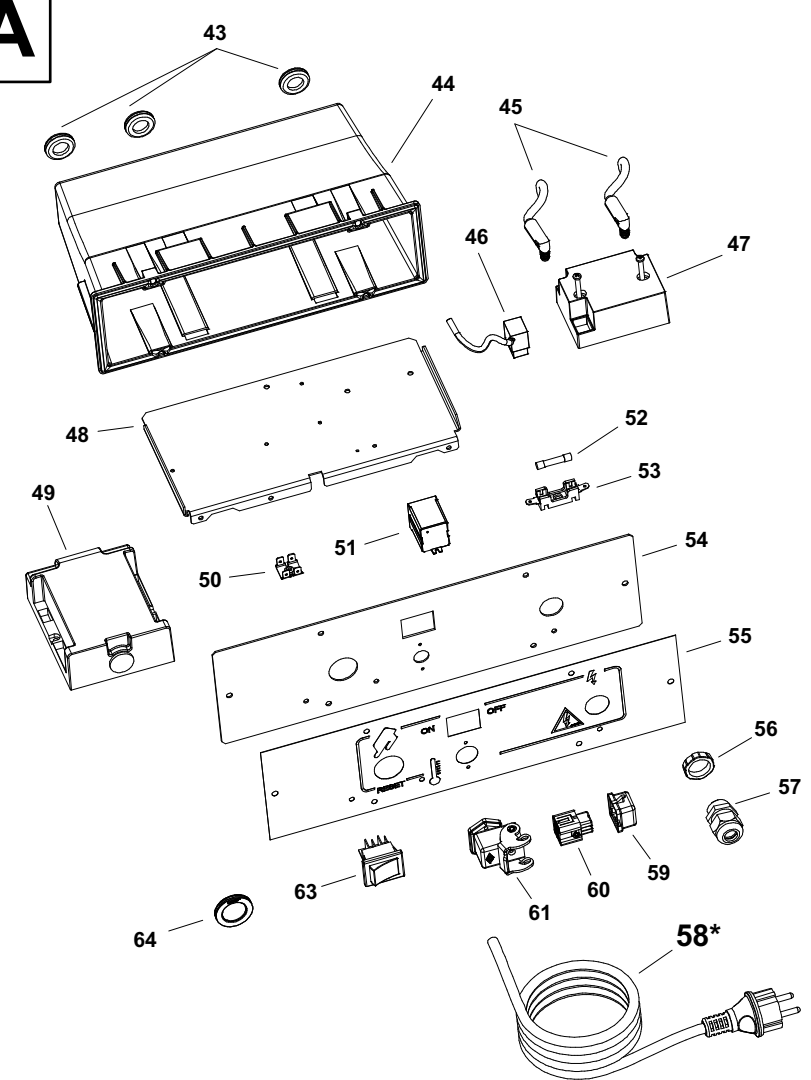
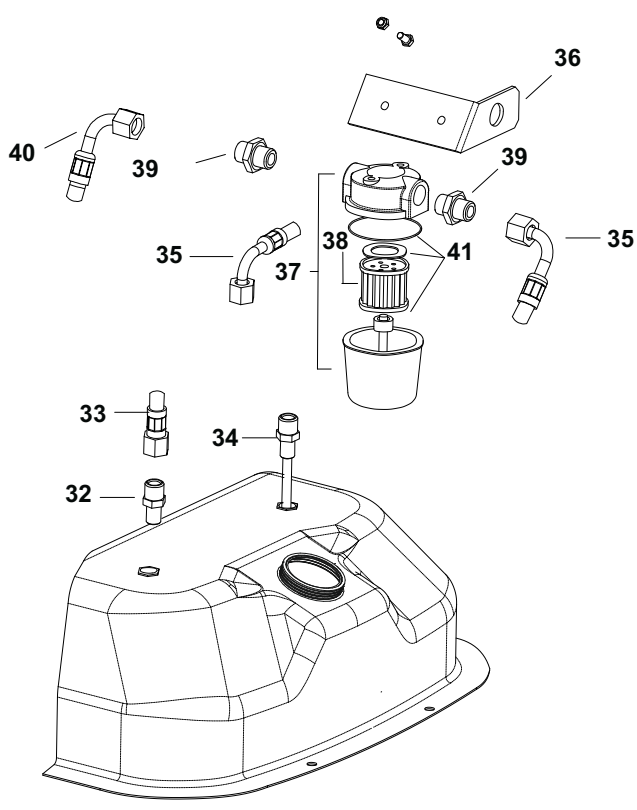
| | | | |
|---|--|---|---|
| 58-A |  | 58-B |  |
| * | | * | |
|  | |  | |
| POWER CORD NEW ZEALAND | | POWER CORD UK | |

MODEL B360 E

UNIT 2

ILLUSTRATED PARTS BREAKDOWN

A



MODEL B360 E

UNIT 3

PARTS LIST

| POS. | Code NR | Description | Rev. F - SEPT. 2015 |
|------|----------|---------------------------------|---------------------|
| 1 | 4111.604 | UPPER BODY | |
| 2 | 4033.263 | UPPER BODY MOBILE | |
| 3 | 4111.241 | ELASTIC PLATE Ø 4,2 | |
| 4 | 4032.465 | INLET GRILL | |
| 5 | 4032.370 | MOTOR | |
| 6 | 4032.463 | MOTOR FLANGE SUPPORT | |
| 7 | 4033.019 | FAN | |
| 8 | 4111.056 | PROTECTION CABLE | |
| 9 | 4032.518 | CENTRAL AIR FLAP | |
| 10 | 4104.170 | CLIP NUT | |
| 11 | 4033.223 | OUTLET CONE | |
| 12 | 4033.197 | COMBUSTION CHAMBER | |
| 13 | 4033.264 | LOWER BODY | |
| 14 | 4111.610 | AIR FLAP | |
| 15 | 4032.470 | BASE | |
| 16 | 4032.466 | ELECTR. COMPONENTS DRAWER PANEL | |
| 17 | 4032.468 | SIDE PANEL | |
| 18 | 4032.536 | POWER CORD HOOK | |
| 19 | 4160.646 | PROTECTION CABLE | |
| 20 | 4260.100 | TANK CAP | |
| 21 | 4290.213 | TANK FILTER | |
| 22 | 4032.480 | HANDLE FRAME | |
| 23 | 4032.476 | FOOT FRAME | |
| 24 | 4100.632 | DRAIG PLUG | |
| 25 | 4033.243 | FUEL TANK | |
| 26 | 4111.480 | WHEEL PLUG | |
| 27 | 4111.072 | WHEEL PLUG Ø 20 | |
| 28 | 4110.978 | WHEEL | |
| 29 | 4032.478 | AXLE | |
| 30 | 4101.151 | PROTECTION CABLE | |
| 32 | 4031.068 | CONN. STRAIGHT 1/4" | |
| 33 | 4031.062 | FUEL PIPE PUMP-TANK | |
| 34 | 4031.067 | PIPE CONNECTION 1/4" | |
| 35 | 4031.063 | FUEL PIPE TANK-FILTER | |
| 36 | 4032.437 | FILTER SUPPORT | |
| 37 | 4033.090 | FILTER WITH CARTIDGE 3/8" | |
| 38 | 4031.494 | FILTER CARTIDGE | |
| 39 | 4031.064 | DOUBLE SCREW | |
| 40 | 4031.061 | FUEL PIPE FILTER-PUMP | |
| 41 | 4111.116 | OR KIT FILTER | |
| 43 | 4160.646 | PROTECTION CABLE | |
| 44 | 4033.257 | PLASTIX BOX | |
| 45 | 4110.490 | HT CABLE | |
| 46 | 4033.256 | POWER CORD TRANSFORMATOR HT | |
| 47 | 4031.541 | TRANSFORMER HT | |
| 48 | 4033.249 | CONTROL BASE | |
| 49 | 4033.330 | CONTROL BOX | |
| 50 | 4160.639 | POP RIVET 4 WAY | |
| 51 | 4111.032 | RELAY | |
| 52 | 4111.040 | FUSE | |
| 53 | 4033.301 | FUSE HOLDER | |
| 54 | 4033.248 | FRONTAL CONTROLS PANEL | |
| 55 | 4033.254 | PANEL LABEL | |
| 56 | 4100.656 | LOCKNUT | |

MODEL B360 E

UNIT 4

PARTS LIST

| POS. | Code NR | Description | Rev. F - SEPT. 2015 |
|------|----------|------------------------|---------------------|
| 57 | 4150.528 | STRAIN RELIEF BUSHING | |
| 58 | 4033.253 | POWER CORD SCHUKO | |
| 58-A | 4033.252 | POWER CORD NEW ZEALAND | |
| 58-B | 4033.302 | POWER CORD UK | |
| 59 | 4162.467 | THERMOSTAT CAP | |
| 60 | 4161.400 | CONNECTION PLUG | |
| 61 | 4160.647 | THERMOSTAT SOCKET 90° | |
| 62 | 4260.105 | FUEL GAUGE | |
| 63 | 4165.204 | ROCKER SWITCH | |
| 64 | 4033.251 | BOARD BUTTON CAP | |
| 71 | 4111.081 | COUPLING | |
| 72 | 4033.122 | PUMP | |
| 73 | 4161.501 | CONN. STRAIGHT 1/8" | |
| 74 | 4033.198 | ELBOW 1/8" | |
| 75 | 4033.186 | OIL SUPPLY PIPE | |
| 76 | 4033.311 | PUMP POWER CORD | |
| 77 | 4033.246 | PHOTOCELL | |
| 80 | 4033.059 | BURNER FLANGE | |
| 81 | 4111.143 | NOZZLE | |
| 82 | 4033.071 | TURBO DISC | |
| 83 | 4032.454 | M6 NUT | |
| 84 | 4032.453 | AIR REGULATION FLAP | |
| 86 | 4031.047 | LIMIT THERMOSTAT | |
| 87 | 4111.826 | ELECTRODE | |

RECOMMENDED SPARE PARTS

| POS. | Code NR | Description | Rev. F - SEPT. 2015 |
|-----------|----------|------------------|---------------------|
| 5 | 4032.370 | MOTOR | |
| 38 | 4031.494 | FILTER CARTIDGE | |
| 41 | 4111.116 | OR KIT FILTER | |
| 45 | 4110.490 | HT CABLE | |
| 47 | 4031.541 | TRANSFORMER HT | |
| 49 | 4033.330 | CONTROL BOX | |
| 51 | 4031.514 | RELAY | |
| 52 | 4111.040 | FUSE | |
| 59 | 4162.467 | THERMOSTAT CAP | |
| 71 | 4111.081 | COUPLING | |
| 72 | 4033.122 | PUMP | |
| 76 | 4033.311 | POWER CORD PUMP | |
| 77 | 4033.246 | PHOTOCELL | |
| 81 | 4111.143 | NOZZLE | |
| 86 | 4031.047 | LIMIT THERMOSTAT | |
| 87 | 4111.826 | ELECTRODE | |

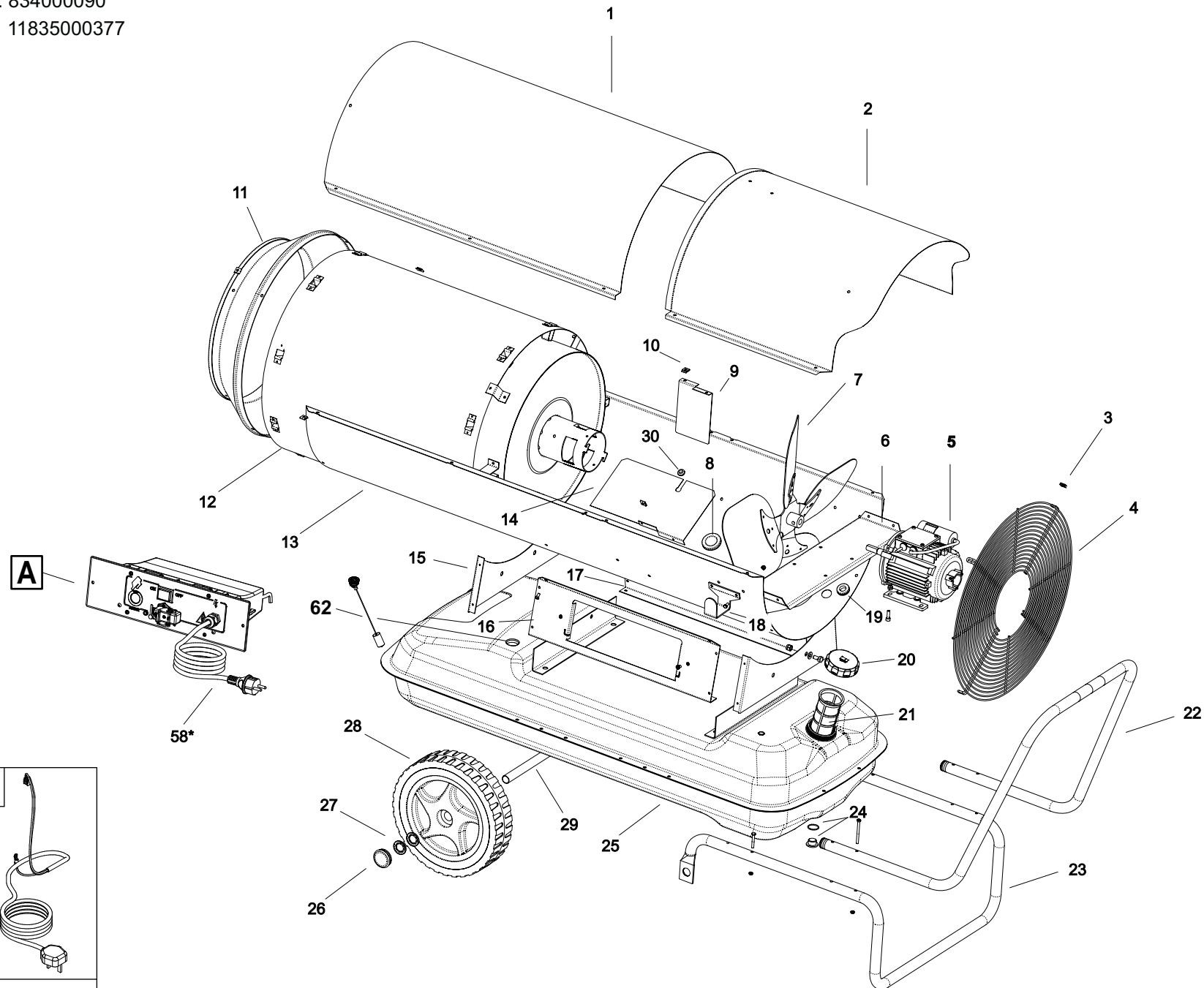
MODEL B360 E

UNIT 1

ILLUSTRATED PARTS BREAKDOWN

From Serial Number: 834000090
Until Serial Number: 11835000377

Rev.E - June 2014

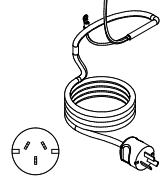


A

58*

58-A

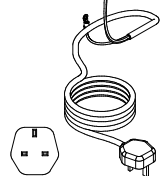
*



POWER CORD
NEW ZEALAND

58-B

*



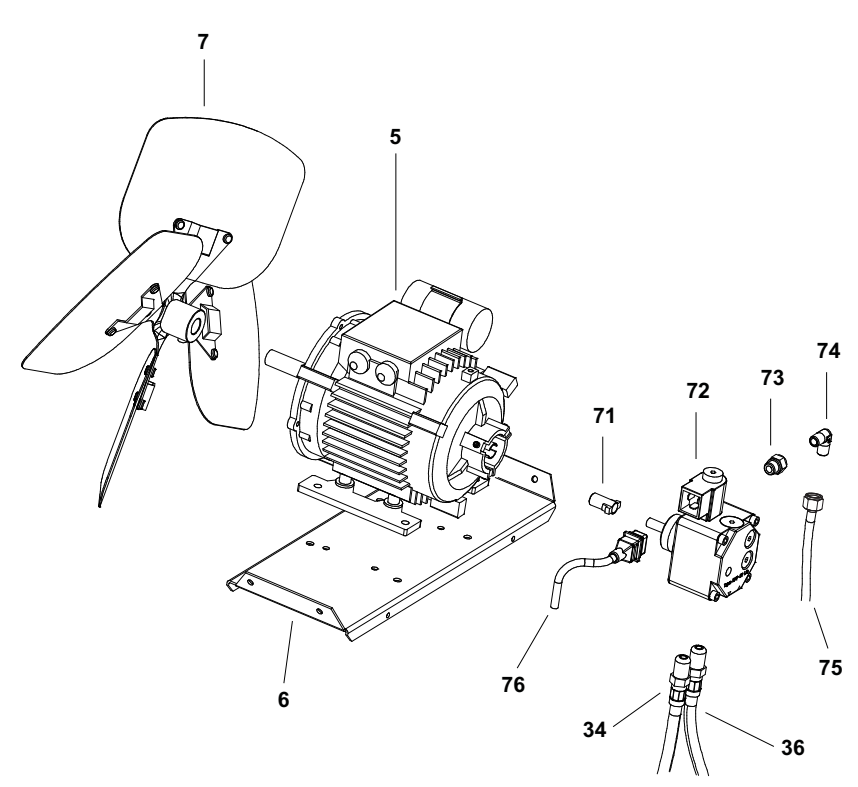
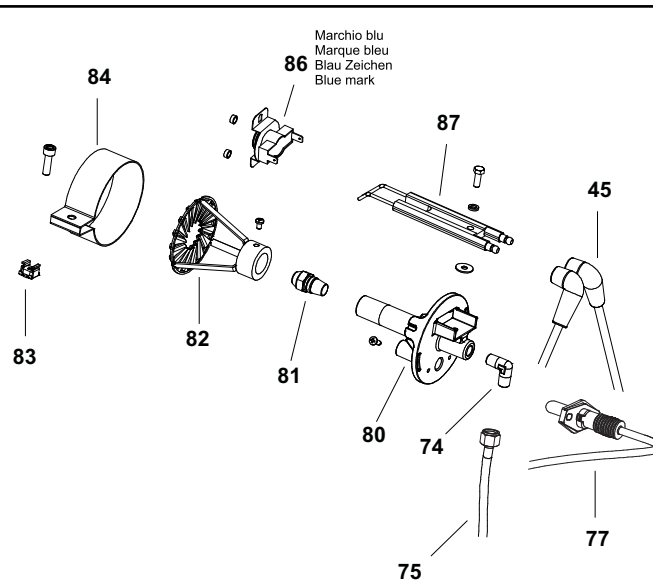
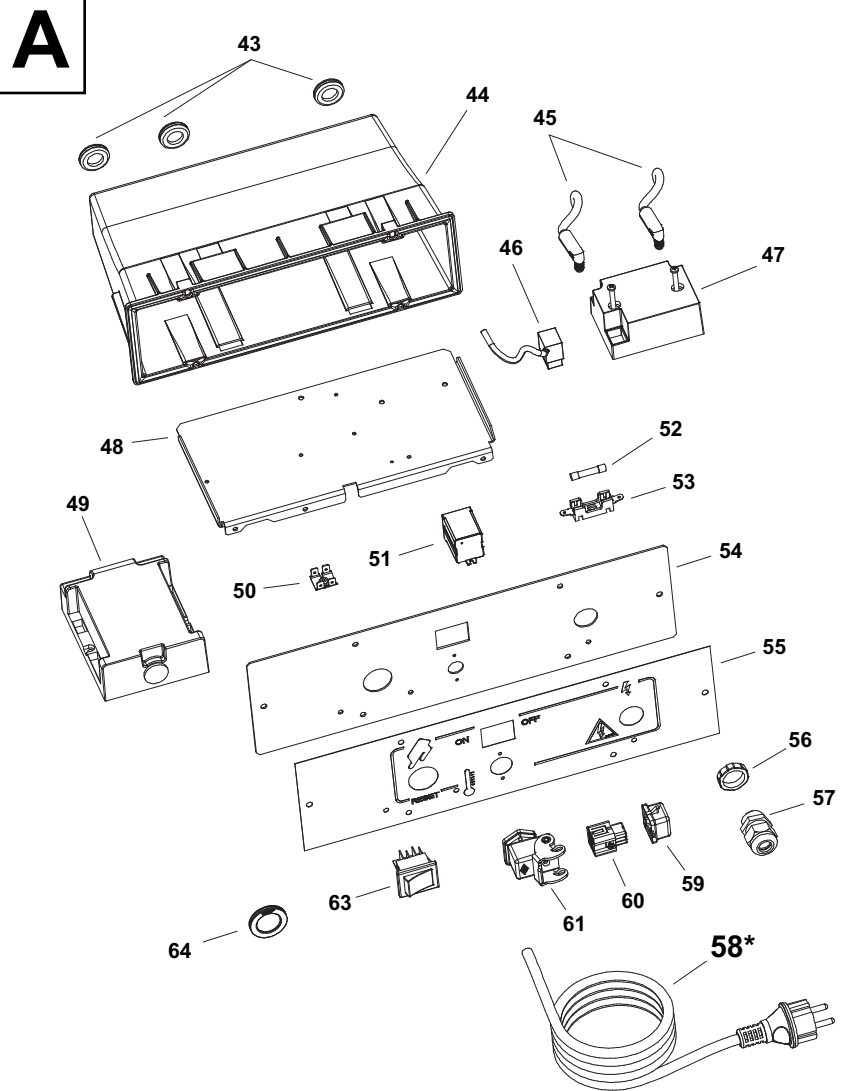
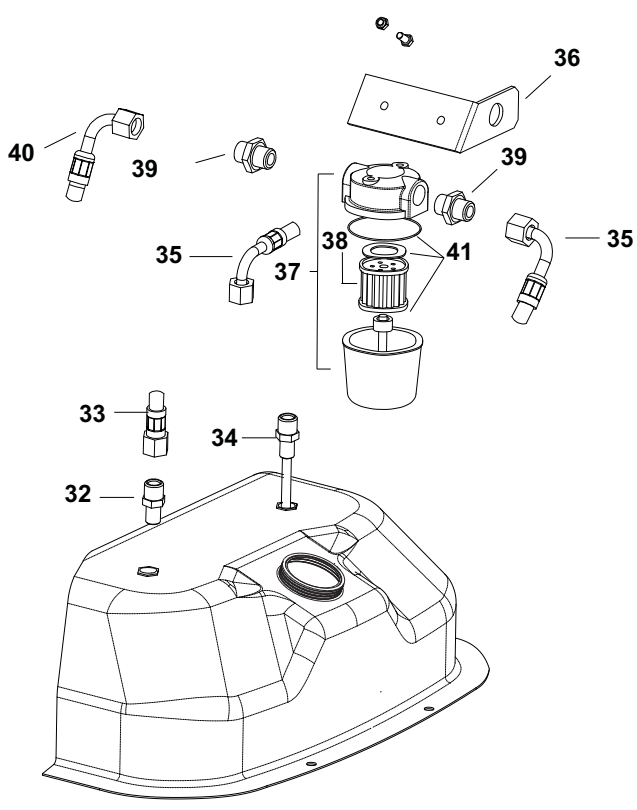
POWER CORD UK

MODEL B360 E

UNIT 2

ILLUSTRATED PARTS BREAKDOWN

A



MODEL B360 E

UNIT 3

PARTS LIST

| POS. | Code NR | Description | Rev. E - June 2014 |
|------|----------|---------------------------------|--------------------|
| 1 | 4111.604 | UPPER BODY | |
| 2 | 4033.263 | UPPER BODY MOBILE | |
| 3 | 4111.241 | ELASTIC PLATE Ø 4,2 | |
| 4 | 4032.465 | INLET GRILL | |
| 5 | 4032.370 | MOTOR | |
| 6 | 4032.463 | MOTOR FLANGE SUPPORT | |
| 7 | 4033.019 | FAN | |
| 8 | 4111.056 | PROTECTION CABLE | |
| 9 | 4032.518 | CENTRAL AIR FLAP | |
| 10 | 4104.170 | CLIP NUT | |
| 11 | 4033.223 | OUTLET CONE | |
| 12 | 4033.197 | COMBUSTION CHAMBER | |
| 13 | 4033.264 | LOWER BODY | |
| 14 | 4111.610 | AIR FLAP | |
| 15 | 4032.470 | BASE | |
| 16 | 4032.466 | ELECTR. COMPONENTS DRAWER PANEL | |
| 17 | 4032.468 | SIDE PANEL | |
| 18 | 4032.536 | POWER CORD HOOK | |
| 19 | 4160.646 | PROTECTION CABLE | |
| 20 | 4260.100 | TANK CAP | |
| 21 | 4290.083 | TANK FILTER | |
| 22 | 4032.480 | HANDLE FRAME | |
| 23 | 4032.476 | FOOT FRAME | |
| 24 | 4100.632 | DRAIG PLUG | |
| 25 | 4033.243 | FUEL TANK | |
| 26 | 4111.480 | WHEEL PLUG | |
| 27 | 4111.072 | WHEEL PLUG Ø 20 | |
| 28 | 4110.978 | WHEEL | |
| 29 | 4032.478 | AXLE | |
| 30 | 4101.151 | PROTECTION CABLE | |
| 32 | 4031.068 | CONN. STRAIGHT 1/4" | |
| 33 | 4031.062 | FUEL PIPE PUMP-TANK | |
| 34 | 4031.067 | PIPE CONNECTION 1/4" | |
| 35 | 4031.063 | FUEL PIPE TANK-FILTER | |
| 36 | 4032.437 | FILTER SUPPORT | |
| 37 | 4033.090 | FILTER WITH CARTIDGE 3/8" | |
| 38 | 4031.494 | FILTER CARTIDGE | |
| 39 | 4031.064 | DOUBLE SCREW | |
| 40 | 4031.061 | FUEL PIPE FILTER-PUMP | |
| 41 | 4111.116 | OR KIT FILTER | |
| 43 | 4160.646 | PROTECTION CABLE | |
| 44 | 4033.257 | PLASTIX BOX | |
| 45 | 4110.490 | HT CABLE | |
| 46 | 4033.256 | POWER CORD TRANSFORMATOR HT | |
| 47 | 4031.541 | TRANSFORMER HT | |
| 48 | 4033.249 | CONTROL BASE | |
| 49 | 4033.330 | CONTROL BOX | |
| 50 | 4160.639 | POP RIVET 4 WAY | |
| 51 | 4111.032 | RELAY | |
| 52 | 4111.040 | FUSE | |
| 53 | 4033.301 | FUSE HOLDER | |
| 54 | 4033.248 | FRONTAL CONTROLS PANEL | |
| 55 | 4033.254 | PANEL LABEL | |
| 56 | 4100.656 | LOCKNUT | |

MODEL B360 E

UNIT 4

PARTS LIST

| POS. | Code NR | Description | Rev. E - June 2014 |
|------|----------|------------------------|--------------------|
| 57 | 4150.528 | STRAIN RELIEF BUSHING | |
| 58 | 4033.253 | POWER CORD SCHUKO | |
| 58-A | 4033.252 | POWER CORD NEW ZEALAND | |
| 58-B | 4033.302 | POWER CORD UK | |
| 59 | 4162.467 | THERMOSTAT CAP | |
| 60 | 4161.400 | CONNECTION PLUG | |
| 61 | 4160.647 | THERMOSTAT SOCKET 90° | |
| 62 | 4260.105 | FUEL GAUGE | |
| 63 | 4165.204 | ROCKER SWITCH | |
| 64 | 4033.251 | BOARD BUTTON CAP | |
| 71 | 4111.081 | COUPLING | |
| 72 | 4033.122 | PUMP | |
| 73 | 4161.501 | CONN. STRAIGHT 1/8" | |
| 74 | 4033.198 | ELBOW 1/8" | |
| 75 | 4033.186 | OIL SUPPLY PIPE | |
| 76 | 4033.087 | PUMP POWER CORD | |
| 77 | 4033.246 | PHOTOCELL | |
| 80 | 4033.059 | BURNER FLANGE | |
| 81 | 4111.143 | NOZZLE | |
| 82 | 4033.071 | TURBO DISC | |
| 83 | 4032.454 | M6 NUT | |
| 84 | 4032.453 | AIR REGULATION FLAP | |
| 86 | 4031.047 | LIMIT THERMOSTAT | |
| 87 | 4111.826 | ELECTRODE | |

RECOMMENDED SPARE PARTS

| POS. | Code NR | Description | Rev. E - June 2014 |
|-----------|----------|------------------|--------------------|
| 5 | 4032.370 | MOTOR | |
| 38 | 4031.494 | FILTER CARTIDGE | |
| 41 | 4111.116 | OR KIT FILTER | |
| 45 | 4110.490 | HT CABLE | |
| 47 | 4031.541 | TRANSFORMER HT | |
| 49 | 4033.330 | CONTROL BOX | |
| 51 | 4031.514 | RELAY | |
| 52 | 4111.040 | FUSE | |
| 59 | 4162.467 | THERMOSTAT CAP | |
| 71 | 4111.081 | COUPLING | |
| 72 | 4033.122 | PUMP | |
| 76 | 4033.087 | POWER CORD PUMP | |
| 77 | 4033.246 | PHOTOCELL | |
| 81 | 4111.143 | NOZZLE | |
| 86 | 4031.047 | LIMIT THERMOSTAT | |
| 87 | 4111.826 | ELECTRODE | |

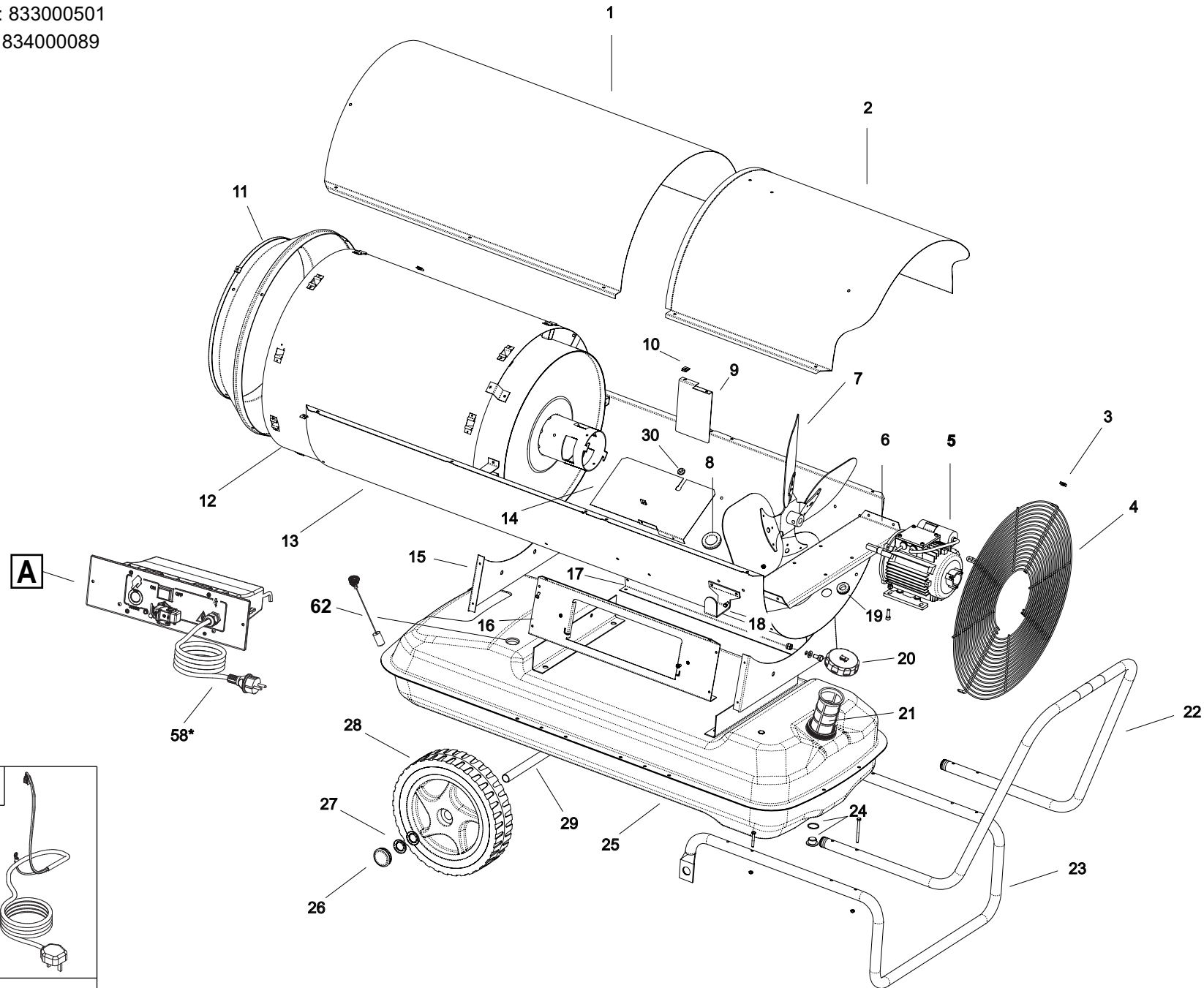
MODEL B360 E

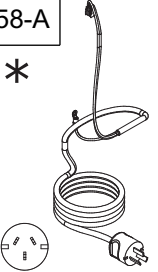
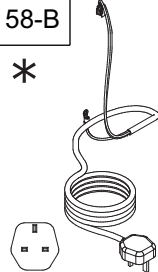


UNIT 1

ILLUSTRATED PARTS BREAKDOWN

From Serial Number: 833000501
Until Serial Number: 834000089

Rev.D - May 2013



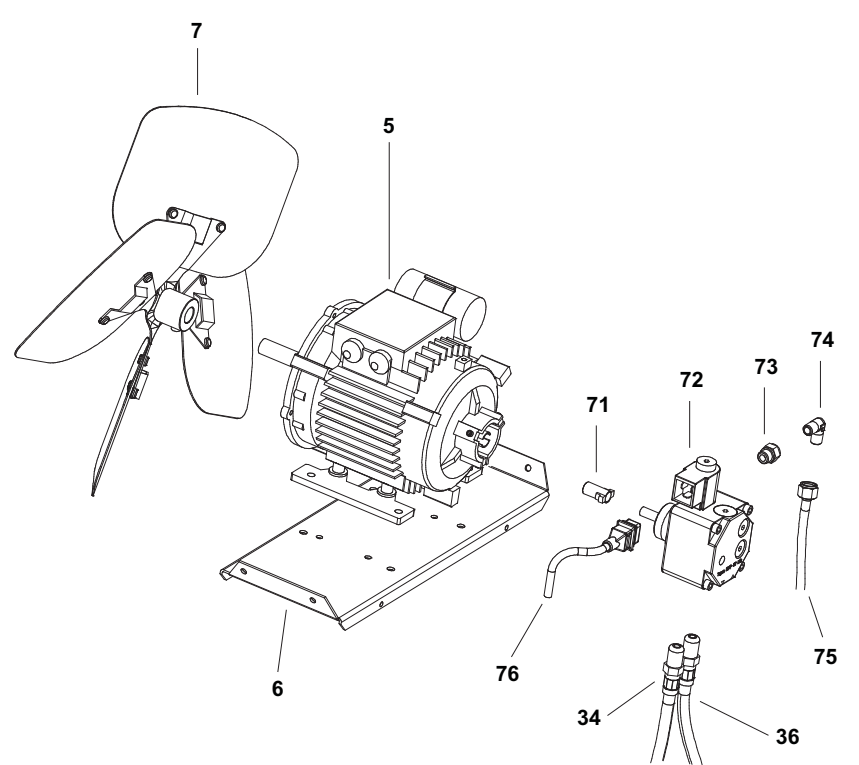
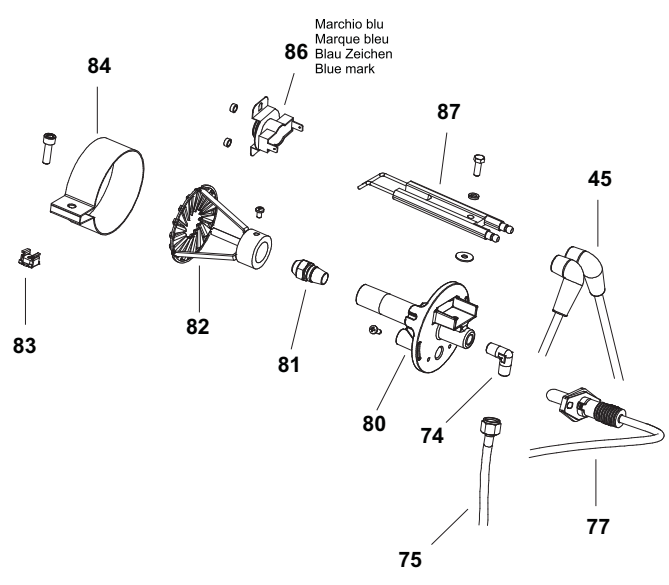
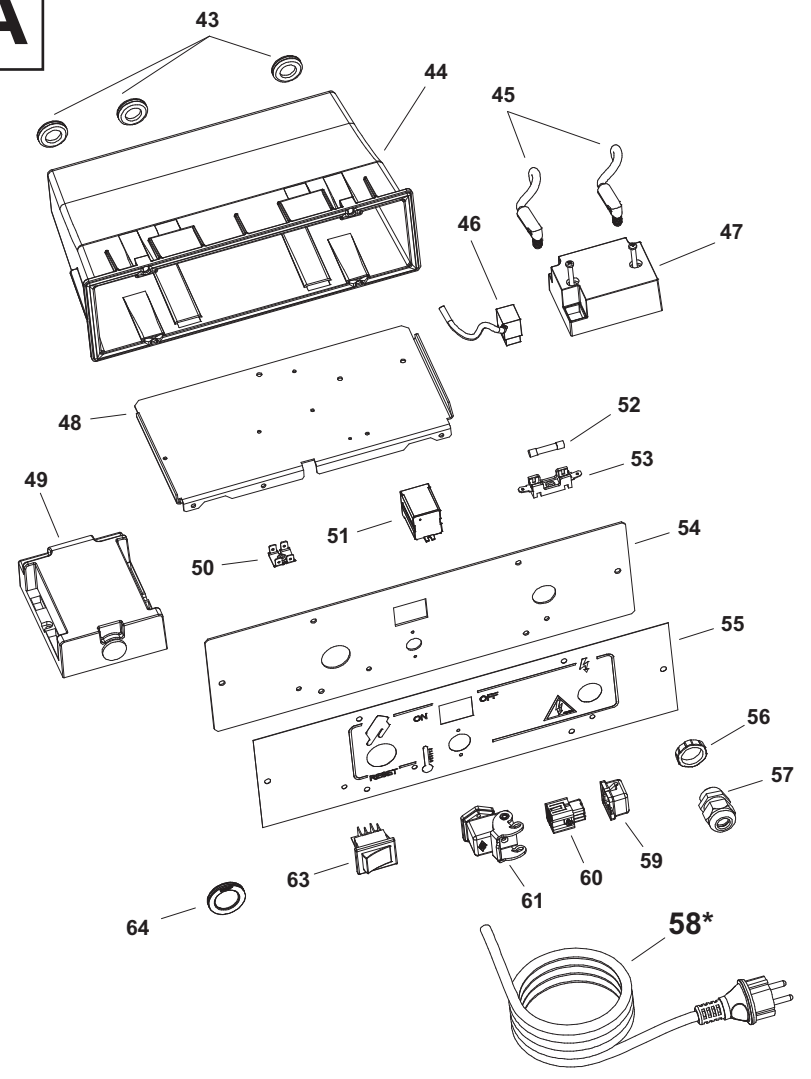
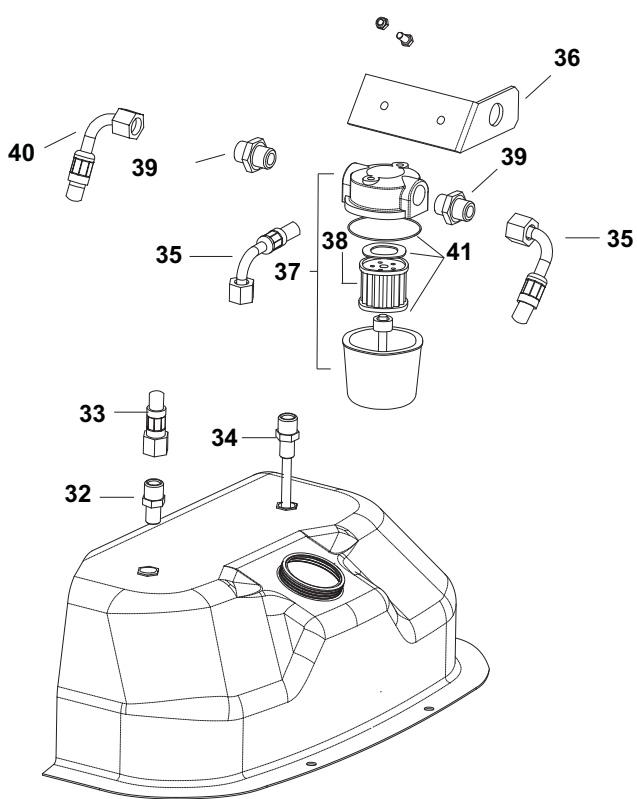
| | | | |
|---|--|---|---|
| 58-A |  | 58-B |  |
| * | | * | |
|  | |  | |
| POWER CORD NEW ZEALAND | | POWER CORD UK | |

MODEL B360 E

UNIT 2

ILLUSTRATED PARTS BREAKDOWN

A



Marchio blu
Marque bleu
Blau Zeichen
Blue mark

MODEL B360 E

UNIT 3

PARTS LIST

| POS. | Code NR | Description | Rev. D - May 2013 |
|------|----------|---------------------------------|-------------------|
| 1 | 4111.604 | UPPER BODY | |
| 2 | 4033.263 | UPPER BODY MOBILE | |
| 3 | 4111.241 | ELASTIC PLATE Ø 4,2 | |
| 4 | 4032.465 | INLET GRILL | |
| 5 | 4032.370 | MOTOR | |
| 6 | 4032.463 | MOTOR FLANGE SUPPORT | |
| 7 | 4033.019 | FAN | |
| 8 | 4111.056 | PROTECTION CABLE | |
| 9 | 4032.518 | CENTRAL AIR FLAP | |
| 10 | 4104.170 | CLIP NUT | |
| 11 | 4033.223 | OUTLET CONE | |
| 12 | 4033.197 | COMBUSTION CHAMBER | |
| 13 | 4033.264 | LOWER BODY | |
| 14 | 4111.610 | AIR FLAP | |
| 15 | 4032.470 | BASE | |
| 16 | 4032.466 | ELECTR. COMPONENTS DRAWER PANEL | |
| 17 | 4032.468 | SIDE PANEL | |
| 18 | 4032.536 | POWER CORD HOOK | |
| 19 | 4160.646 | PROTECTION CABLE | |
| 20 | 4260.100 | TANK CAP | |
| 21 | 4290.083 | TANK FILTER | |
| 22 | 4032.480 | HANDLE FRAME | |
| 23 | 4032.476 | FOOT FRAME | |
| 24 | 4100.632 | DRAIG PLUG | |
| 25 | 4033.243 | FUEL TANK | |
| 26 | 4111.480 | WHEEL PLUG | |
| 27 | 4111.072 | WHEEL PLUG Ø 20 | |
| 28 | 4110.978 | WHEEL | |
| 29 | 4032.478 | AXLE | |
| 30 | 4101.151 | PROTECTION CABLE | |
| 32 | 4031.068 | CONN. STRAIGHT 1/4" | |
| 33 | 4031.062 | FUEL PIPE PUMP-TANK | |
| 34 | 4031.067 | PIPE CONNECTION 1/4" | |
| 35 | 4031.063 | FUEL PIPE TANK-FILTER | |
| 36 | 4032.437 | FILTER SUPPORT | |
| 37 | 4033.090 | FILTER WITH CARTIDGE 3/8" | |
| 38 | 4031.494 | FILTER CARTIDGE | |
| 39 | 4031.064 | DOUBLE SCREW | |
| 40 | 4031.061 | FUEL PIPE FILTER-PUMP | |
| 41 | 4111.116 | OR KIT FILTER | |
| 43 | 4160.646 | PROTECTION CABLE | |
| 44 | 4033.257 | PLASTIX BOX | |
| 45 | 4110.490 | HT CABLE | |
| 46 | 4033.256 | POWER CORD TRANSFORMATOR HT | |
| 47 | 4106.238 | KIT TRANSFORMER HT | |
| 48 | 4033.249 | CONTROL BASE | |
| 49 | 4033.250 | CONTROL BOX | |
| 50 | 4160.639 | POP RIVET 4 WAY | |
| 51 | 4111.032 | RELAY | |
| 52 | 4111.040 | FUSE | |
| 53 | 4033.301 | FUSE HOLDER | |
| 54 | 4033.248 | FRONTAL CONTROLS PANEL | |
| 55 | 4033.254 | PANEL LABEL | |
| 56 | 4100.656 | LOCKNUT | |

MODEL B360 E

UNIT 4

PARTS LIST

| POS. | Code NR | Description | Rev. D - May 2013 |
|------|----------|------------------------|-------------------|
| 57 | 4150.528 | STRAIN RELIEF BUSHING | |
| 58 | 4033.253 | POWER CORD SCHUKO | |
| 58-A | 4033.252 | POWER CORD NEW ZEALAND | |
| 58-B | 4033.302 | POWER CORD UK | |
| 59 | 4162.467 | THERMOSTAT CAP | |
| 60 | 4161.400 | CONNECTION PLUG | |
| 61 | 4160.647 | THERMOSTAT SOCKET 90° | |
| 62 | 4260.105 | FUEL GAUGE | |
| 63 | 4165.204 | ROCKER SWITCH | |
| 64 | 4033.251 | BOARD BUTTON CAP | |
| 71 | 4111.081 | COUPLING | |
| 72 | 4033.122 | PUMP | |
| 73 | 4161.501 | CONN. STRAIGHT 1/8" | |
| 74 | 4033.198 | ELBOW 1/8" | |
| 75 | 4033.186 | OIL SUPPLY PIPE | |
| 76 | 4033.087 | PUMP POWER CORD | |
| 77 | 4033.246 | PHOTOCELL | |
| 80 | 4033.059 | BURNER FLANGE | |
| 81 | 4111.143 | NOZZLE | |
| 82 | 4033.071 | TURBO DISC | |
| 83 | 4032.454 | M6 NUT | |
| 84 | 4032.453 | AIR REGULATION FLAP | |
| 86 | 4031.047 | LIMIT THERMOSTAT | |
| 87 | 4111.826 | ELECTRODE | |

RECOMMENDED SPARE PARTS

| POS. | Code NR | Description | Rev. D - May 2013 |
|------|----------|------------------|-------------------|
| 5 | 4032.370 | MOTOR | |
| 41 | 4111.116 | OR KIT FILTER | |
| 38 | 4031.494 | FILTER CARTIDGE | |
| 52 | 4111.040 | FUSE | |
| 59 | 4162.467 | THERMOSTAT CAP | |
| 49 | 4033.250 | CONTROL BOX | |
| 51 | 4031.514 | RELAY | |
| 45 | 4110.490 | HT CABLE | |
| 71 | 4111.081 | COUPLING | |
| 72 | 4033.122 | PUMP | |
| 76 | 4033.087 | POWER CORD PUMP | |
| 77 | 4033.246 | PHOTOCELL | |
| 81 | 4111.143 | NOZZLE | |
| 86 | 4031.047 | LIMIT THERMOSTAT | |
| 87 | 4111.826 | ELECTRODE | |

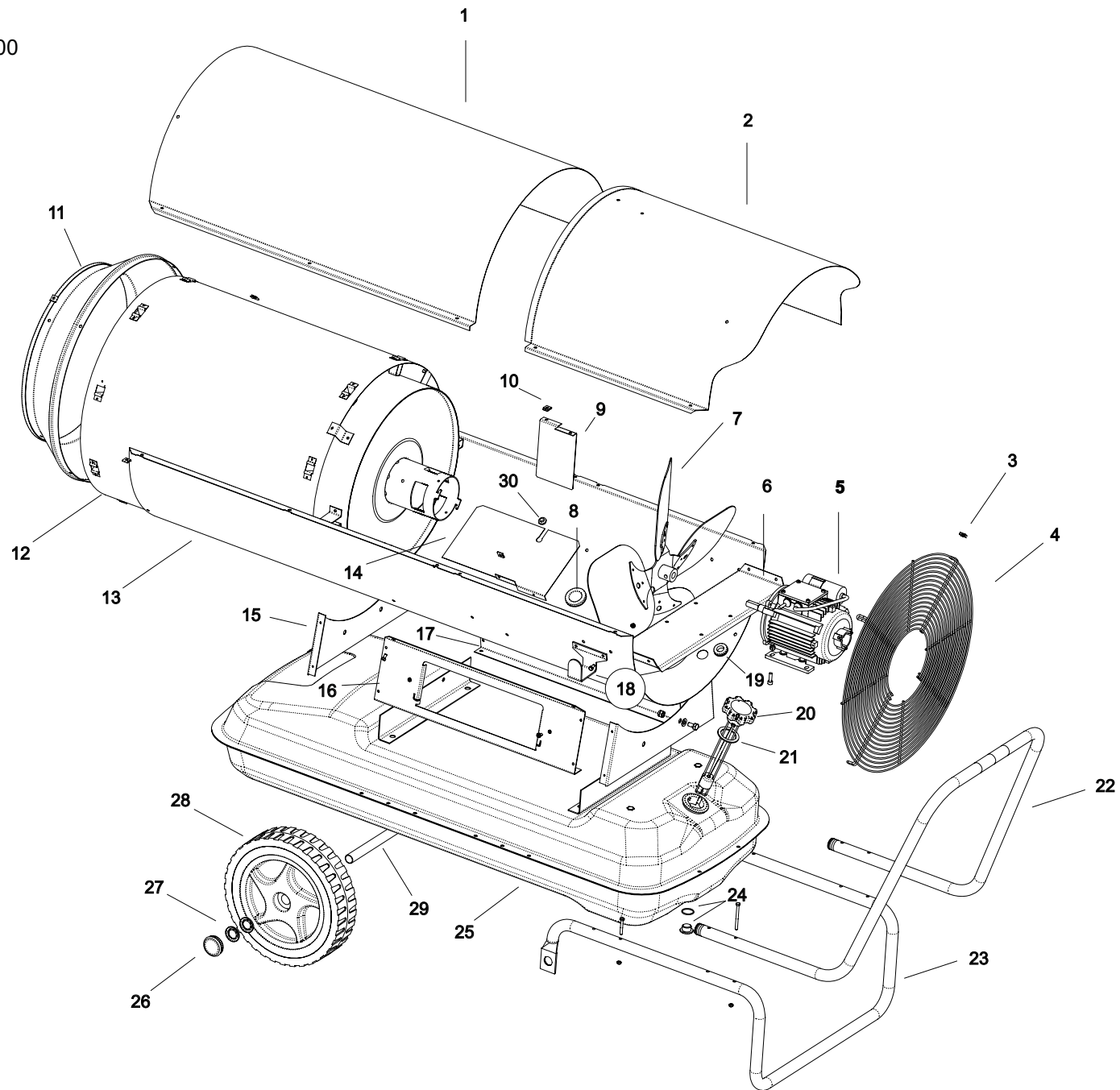
MODEL B360 E

UNIT 1

ILLUSTRATED PARTS BREAKDOWN

From Serial Number: 32200522
Until Serial Number: 09833000500

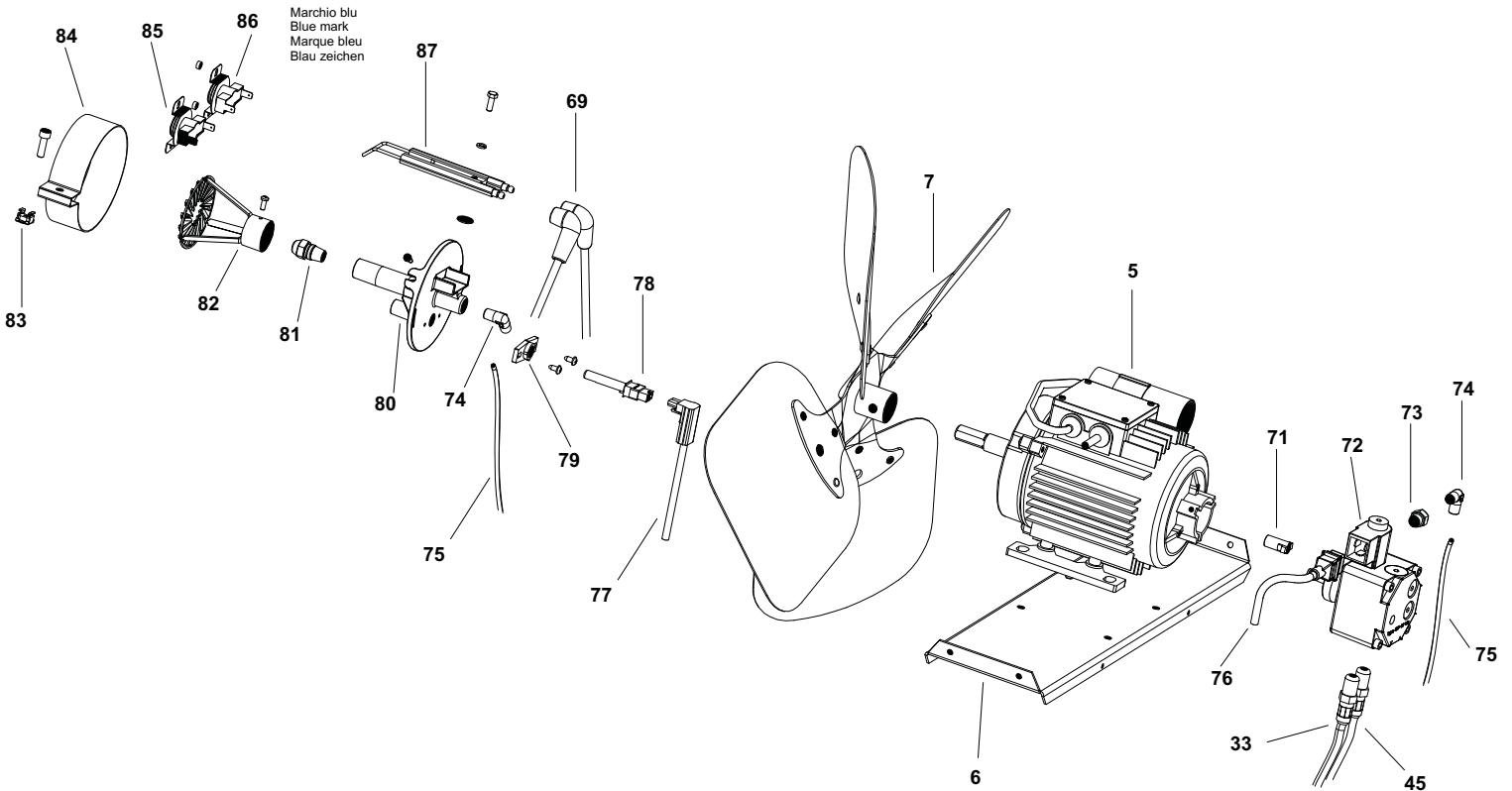
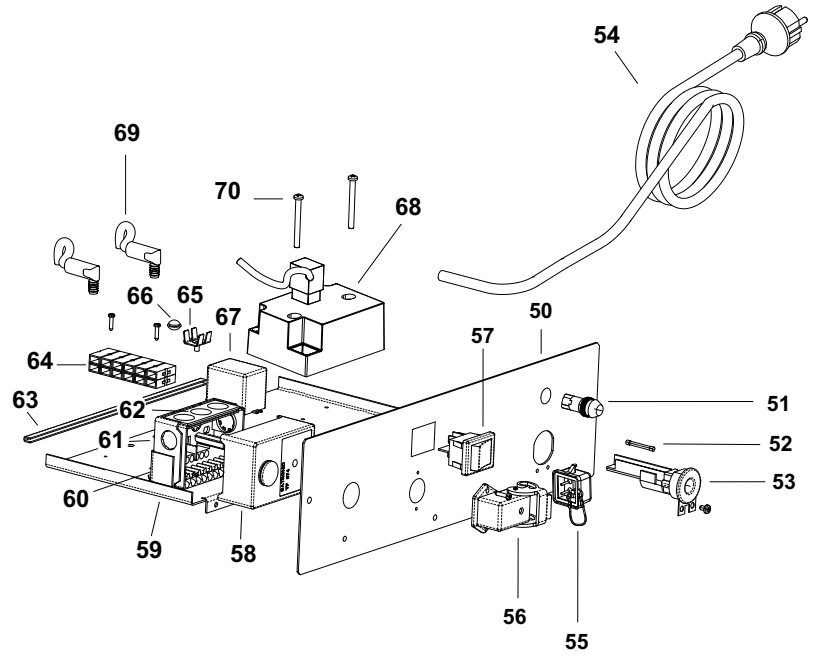
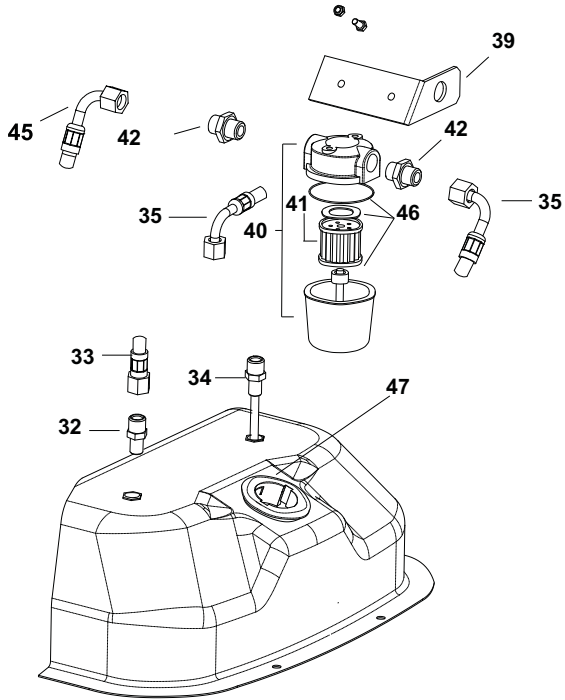
Rev.C - May 2012



MODEL B360 E

UNIT 2

ILLUSTRATED PARTS BREAKDOWN



MODEL B360 E

UNIT 3

PARTS LIST

| POS. | Code NR | Description | Rev. C - May 2012 |
|------|----------|---------------------------------|-------------------|
| 1 | 4111.604 | UPPER BODY | |
| 2 | 4032.458 | UPPER BODY MOBILE | |
| 3 | 4111.241 | ELASTIC PLATE Ø 4,2 | |
| 4 | 4032.465 | INLET GRILL | |
| 5 | 4032.370 | MOTOR 4PW 230V/50 IP44 | |
| 6 | 4032.463 | MOTOR FLANGE SUPPORT | |
| 7 | 4033.019 | FAN | |
| 8 | 4111.056 | PROTECTION CABLE | |
| 9 | 4032.518 | CENTRAL AIR FLAP | |
| 10 | 4104.170 | CLIP NUT | |
| 11 | 4032.452 | OUTLET CONE | |
| 12 | 4033.197 | COMBUSTION CHAMBER | |
| 13 | 4032.460 | LOWER BODY | |
| 14 | 4111.610 | AIR FLAP | |
| 15 | 4032.470 | BASE | |
| 16 | 4032.466 | ELECTR. COMPONENTS DRAWER PANEL | |
| 17 | 4032.468 | SIDE PANEL | |
| 18 | 4032.536 | POWER CORD HOOK | |
| 19 | 4160.646 | PROTECTION CABLE | |
| 20 | 4032.475 | FUEL LEVEL PROBE | |
| 21 | 4032.537 | FUEL LEVEL PROBE GASKET | |
| 22 | 4032.480 | HANDLE FRAME | |
| 23 | 4032.476 | FOOT FRAME | |
| 24 | 4100.632 | DRAIG PLUG | |
| 25 | 4033.092 | FUEL TANK | |
| 26 | 4111.480 | WHEEL PLUG | |
| 27 | 4111.072 | WHEEL PLUG Ø 20 | |
| 28 | 4110.978 | WHEEL | |
| 29 | 4032.478 | AXLE | |
| 30 | 4101.151 | PROTECTION CABLE | |
| 32 | 4031.068 | CONN. STRAIGHT 1/4" | |
| 33 | 4031.062 | FUEL PIPE PUMP-TANK | |
| 34 | 4031.067 | PIPE CONNECTION 1/4" | |
| 35 | 4031.063 | FUEL PIPE TANK-FILTER | |
| 39 | 4032.437 | FILTER SUPPORT | |
| 40 | 4033.090 | FILTER WITH CARTIDGE 3/8" | |
| 41 | 4031.494 | FILTER CARTIDGE | |
| 42 | 4031.064 | DOUBLE SCREW | |
| 45 | 4031.061 | FUEL PIPE FILTER-PUMP | |
| 46 | 4111.116 | OR KIT FILTER | |
| 47 | 4032.472 | NECK PLASTIC FILLER | |
| 50 | 4032.446 | ELECTR. COMPONENTS DRAWER PANEL | |
| 51 | 4117.058 | PILOT LAMP | |
| 52 | 4111.040 | FUSE (6,3X32) 10 A | |
| 53 | 4111.038 | CABLE FASTENER | |
| 54 | 4111.153 | POWER CORD | |
| 55 | 4162.467 | THERMOSTAT PLUG | |
| 56 | 4111.119 | PLATE PLUG | |
| 57 | 4160.637 | SWITCH 16A | |
| 58 | 4110.968 | CONTROL BOX SATRONIC | |
| 59 | 4032.448 | ELECTR. COMPONENTS BASE | |
| 60 | 4032.499 | CONTROL BOX SUPPORT | |
| 61 | 4110.969 | CONTROL BOX BASE | |
| 62 | 4110.967 | PG PLATE | |
| 63 | 4110.155 | EDGE LINER | |
| 64 | 4111.033 | TERMINAL BOARD | |

ESP00142

MODEL B360 E

UNIT 4

PARTS LIST

| POS. | Code NR | Description | Rev. C - May 2012 |
|------|----------|------------------------------|-------------------|
| 65 | 4160.639 | POP RIVET WITH TERMIN. 4 WAY | |
| 66 | 4032.450 | PLASTIC PIN | |
| 67 | 4111.032 | RELAY FINDER | |
| 68 | 4111.890 | KIT TRANSFORMER | |
| 69 | 4110.490 | H.T. CABLE | |
| 70 | 4160.421 | M4 SCREW | |
| 71 | 4111.081 | COUPLING SIMEL | |
| 72 | 4033.122 | PUMP DANFOSS | |
| 73 | 4161.501 | NUT FOR BICONE 1/8 | |
| 74 | 4033.198 | CONNECTION 90° 1/8 | |
| 75 | 4033.186 | OIL SUPPLY PIPE | |
| 76 | 4033.087 | POWER CORD PUMP | |
| 77 | 4110.970 | PHOTOCELL CONN. CABLE | |
| 78 | 4110.966 | PHOTOCELL | |
| 79 | 4111.076 | PHOTOCELL BLOCK BRACKET | |
| 80 | 4033.059 | BURNER FLANGE | |
| 81 | 4111.143 | NOZZLE 2,00 GPH 80°H | |
| 82 | 4033.071 | TURBO DISC | |
| 83 | 4032.454 | M6 NUT | |
| 84 | 4032.453 | AIR REGULATION FLAP | |
| 85 | 4031.045 | FAN THERMOSTAT | |
| 86 | 4031.047 | LIMIT THERMOSTAT | |
| 87 | 4111.826 | ELECTRODE | |

RECOMMENDED SPARE PARTS

| POS. | Code NR | Description | Rev. C - May 2012 |
|------|----------|------------------------|-------------------|
| 5 | 4032.370 | MOTOR 4PW 230V/50 IP44 | |
| 46 | 4111.116 | OR KIT FILTER | |
| 41 | 4031.494 | FILTER CARTIDGE | |
| 52 | 4111.040 | FUSE (6,3X32) 10 A | |
| 55 | 4162.467 | THERMOSTAT PLUG | |
| 56 | 4111.119 | PLATE PLUG | |
| 58 | 4110.968 | CONTROL BOX SATRONIC | |
| 67 | 4111.032 | RELAY FINDER | |
| 68 | 4111.890 | KIT TRANSFORMER | |
| 69 | 4110.490 | H.T. CABLE | |
| 71 | 4111.081 | COUPLING SIMEL | |
| 72 | 4033.122 | PUMP DANFOSS | |
| 76 | 4033.087 | POWER CORD PUMP | |
| 77 | 4110.970 | PHOTOCELL CONN. CABLE | |
| 78 | 4110.966 | PHOTOCELL | |
| 81 | 4111.143 | NOZZLE 2,00 GPH 80°H | |
| 85 | 4031.045 | FAN THERMOSTAT | |
| 87 | 4111.826 | ELECTRODE | |
| 86 | 4031.047 | LIMIT THERMOSTAT | |

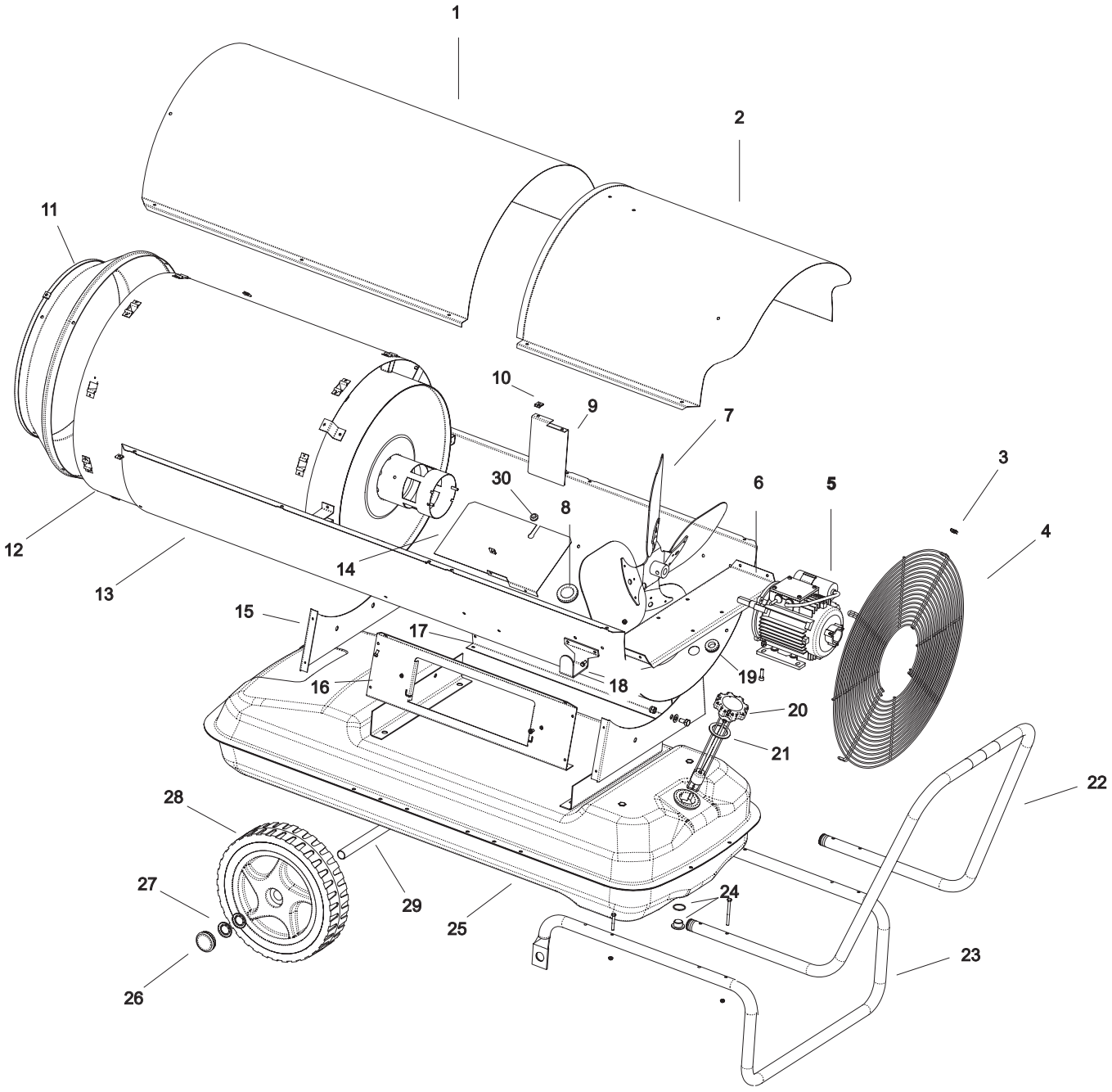
MODEL B360 E

UNIT 1

ILLUSTRATED PARTS BREAKDOWN

From Serial Number: 31200285
Untill Serial Number: 32200522

Rev. B - May 2011



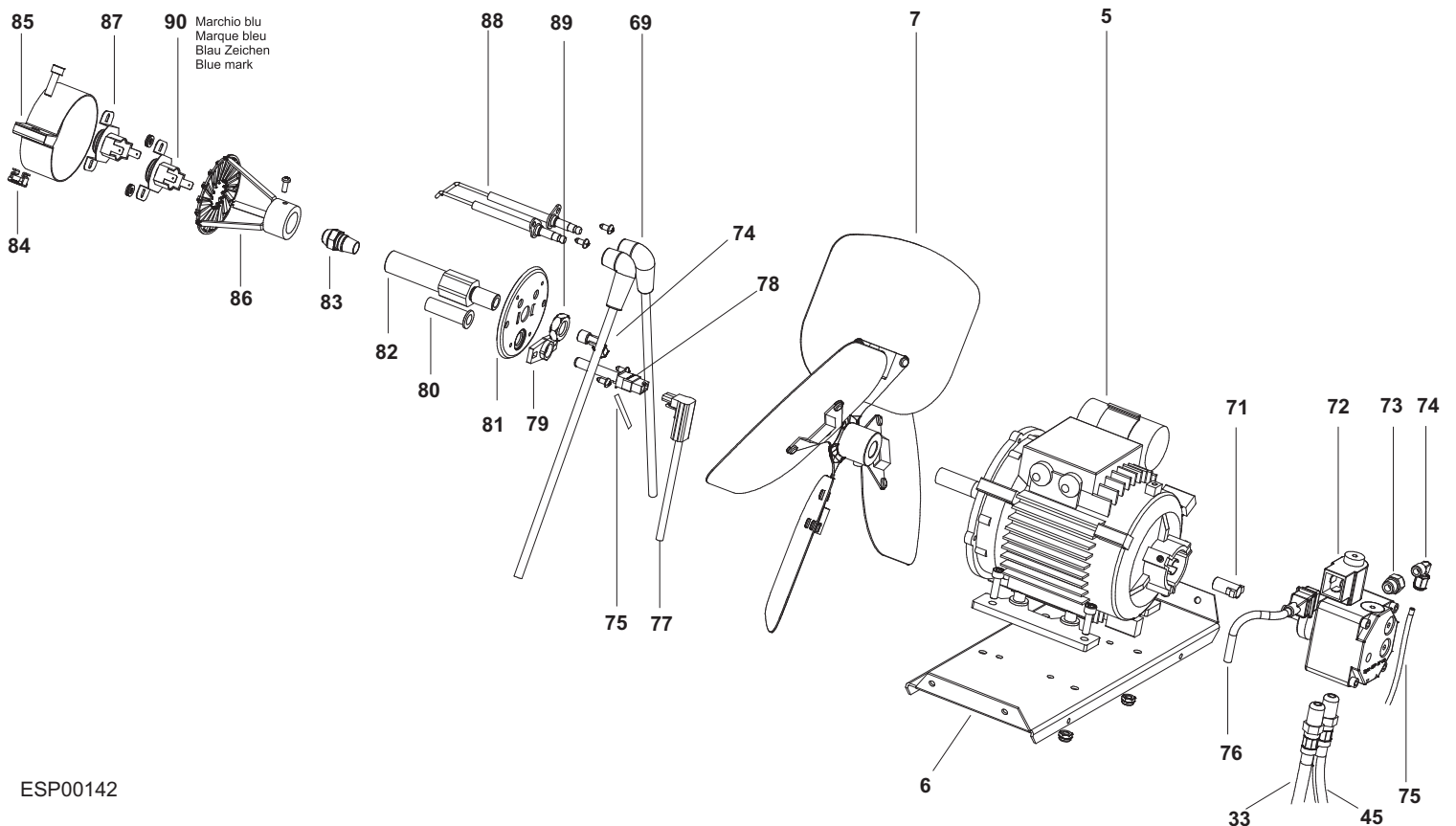
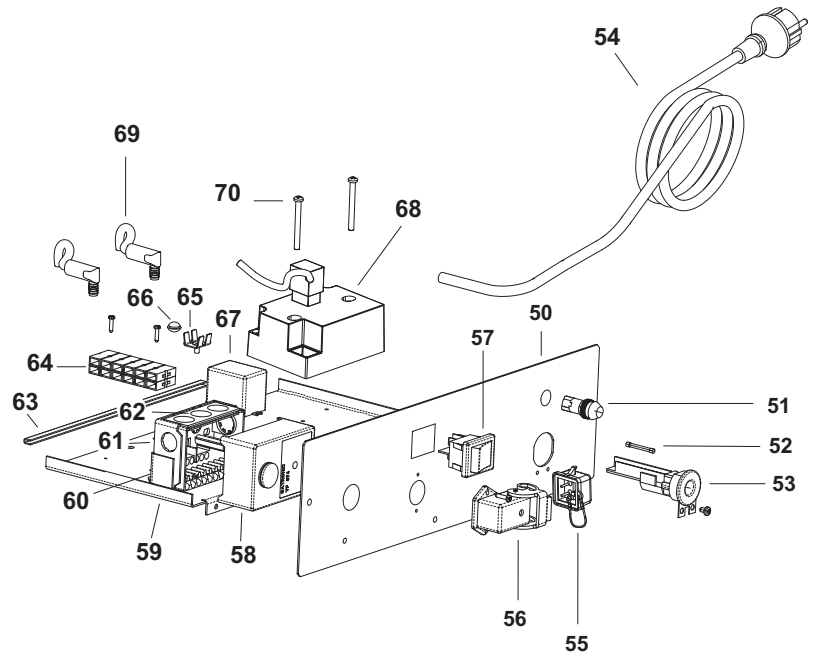
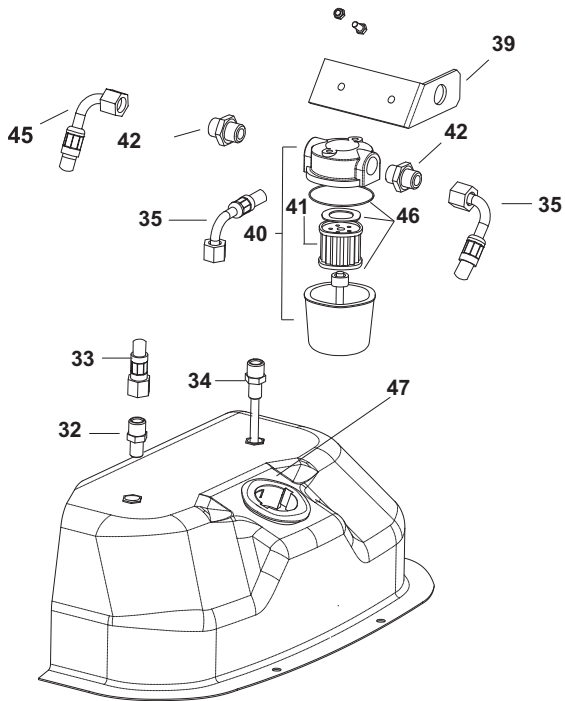
MODEL B360 E

UNIT 2

ILLUSTRATED PARTS BREAKDOWN

From Serial Number: 31200285
Untill Serial Number: 32200522

Rev. B - May 2011



MODEL B360 E

UNIT 3

PARTS LIST

| POS. | Code NR | Description | Rev. B - May 2011 |
|------|----------|---------------------------------|-------------------|
| 1 | 4111.604 | UPPER BODY | |
| 2 | 4032.458 | UPPER BODY MOBILE | |
| 3 | 4111.241 | ELASTIC PLATE Ø 4,2 | |
| 4 | 4032.465 | INLET GRILL | |
| 5 | 4032.370 | MOTOR 4PW 230V/50 IP44 | |
| 6 | 4032.463 | MOTOR FLANGE SUPPORT | |
| 7 | 4033.019 | FAN | |
| 8 | 4111.056 | PROTECTION CABLE | |
| 9 | 4032.518 | CENTRAL AIR FLAP | |
| 10 | 4104.170 | CLIP NUT | |
| 11 | 4032.452 | OUTLET CONE | |
| 12 | 4111.638 | COMBUSTION CHAMBER | |
| 13 | 4032.460 | LOWER BODY | |
| 14 | 4111.610 | AIR FLAP | |
| 15 | 4032.470 | BASE | |
| 16 | 4032.466 | ELECTR. COMPONENTS DRAWER PANEL | |
| 17 | 4032.468 | SIDE PANEL | |
| 18 | 4032.536 | POWER CORD HOOK | |
| 19 | 4160.646 | PROTECTION CABLE | |
| 20 | 4032.475 | FUEL LEVEL PROBE | |
| 21 | 4032.537 | FUEL LEVEL PROBE GASKET | |
| 22 | 4032.480 | HANDLE FRAME | |
| 23 | 4032.476 | FOOT FRAME | |
| 24 | 4100.632 | DRAIG PLUG | |
| 25 | 4033.092 | FUEL TANK | |
| 26 | 4111.480 | WHEEL PLUG | |
| 27 | 4111.072 | WHEEL PLUG Ø 20 | |
| 28 | 4110.978 | WHEEL | |
| 29 | 4032.478 | AXLE | |
| 30 | 4101.151 | PROTECTION CABLE | |
| 32 | 4031.068 | CONN. STRAIGHT 1/4" | |
| 33 | 4031.062 | FUEL PIPE PUMP-TANK | |
| 34 | 4031.067 | PIPE CONNECTION 1/4" | |
| 35 | 4031.063 | FUEL PIPE TANK-FILTER | |
| 39 | 4032.437 | FILTER SUPPORT | |
| 40 | 4033.090 | FILTER WITH CARTIDGE 3/8" | |
| 41 | 4031.494 | FILTER CARTIDGE | |
| 42 | 4031.064 | DOUBLE SCREW | |
| 45 | 4031.061 | FUEL PIPE FILTER-PUMP | |
| 46 | 4111.116 | OR KIT FILTER | |
| 47 | 4032.472 | NECK PLASTIC FILLER | |
| 50 | 4032.446 | ELECTR. COMPONENTS DRAWER PANEL | |
| 51 | 4117.058 | PILOT LAMP | |
| 52 | 4111.040 | FUSE (6,3X32) 10 A | |
| 53 | 4111.038 | CABLE FASTENER | |
| 54 | 4111.153 | POWER CORD | |
| 55 | 4162.467 | THERMOSTAT PLUG | |
| 56 | 4111.119 | PLATE PLUG | |
| 57 | 4160.637 | SWITCH 16A | |
| 58 | 4110.968 | CONTROL BOX SATRONIC | |
| 59 | 4032.448 | ELECTR. COMPONENTS BASE | |
| 60 | 4032.499 | CONTROL BOX SUPPORT | |
| 61 | 4110.969 | CONTROL BOX BASE | |
| 62 | 4110.967 | PG PLATE | |
| 63 | 4110.155 | EDGE LINER | |
| 64 | 4111.033 | TERMINAL BOARD | |

ESP00142

MODEL B360 E

UNIT 4

PARTS LIST

| POS. | Code NR | Description | Rev. B - May 2011 |
|------|----------|------------------------------|-------------------|
| 65 | 4160.639 | POP RIVET WITH TERMIN. 4 WAY | |
| 66 | 4032.450 | PLASTIC PIN | |
| 67 | 4111.032 | RELAY FINDER | |
| 68 | 4111.890 | KIT TRANSFORMER | |
| 69 | 4110.490 | H.T. CABLE | |
| 70 | 4160.421 | M4 SCREW | |
| 71 | 4111.081 | COUPLING SIMEL | |
| 72 | 4033.122 | PUMP DANFOSS | |
| 73 | 4161.501 | NUT FOR BICONE 1/8 | |
| 74 | 4161.140 | CONNECTION 90° 1/8 | |
| 75 | 4032.433 | OIL SUPPLY PIPE | |
| 76 | 4033.087 | POWER CORD PUMP | |
| 77 | 4110.970 | PHOTOCELL CONN. CABLE | |
| 78 | 4110.966 | PHOTOCELL | |
| 79 | 4111.076 | PHOTOCELL BLOCK BRACKET | |
| 80 | 4032.406 | PHOTOCELL SUPPORT | |
| 81 | 4032.405 | BURNER FLANGE | |
| 82 | 4032.403 | NOZZLE SUPPORT | |
| 83 | 4111.143 | NOZZLE 2,00 GPH 80°H | |
| 84 | 4032.454 | M6 NUT | |
| 85 | 4032.453 | AIR REGULATION FLAP | |
| 86 | 4033.071 | TURBO DISC | |
| 87 | 4031.045 | FAN THERMOSTAT | |
| 88 | 4033.057 | ELECTRODE | |
| 89 | 4032.407 | NUT M14 | |
| 90 | 4031.047 | LIMIT THERMOSTAT | |

RECOMMENDED SPARE PARTS

| POS. | Code NR | Description | Rev. B - May 2011 |
|------|----------|------------------------|-------------------|
| 5 | 4032.370 | MOTOR 4PW 230V/50 IP44 | |
| 46 | 4111.116 | OR KIT FILTER | |
| 41 | 4031.494 | FILTER CARTIDGE | |
| 52 | 4111.040 | FUSE (6,3X32) 10 A | |
| 55 | 4162.467 | THERMOSTAT PLUG | |
| 56 | 4111.119 | PLATE PLUG | |
| 58 | 4110.968 | CONTROL BOX SATRONIC | |
| 67 | 4111.032 | RELAY FINDER | |
| 68 | 4111.890 | KIT TRANSFORMER | |
| 69 | 4110.490 | H.T. CABLE | |
| 71 | 4111.081 | COUPLING SIMEL | |
| 72 | 4033.122 | PUMP DANFOSS | |
| 76 | 4033.087 | POWER CORD PUMP | |
| 77 | 4110.970 | PHOTOCELL CONN. CABLE | |
| 78 | 4110.966 | PHOTOCELL | |
| 83 | 4111.143 | NOZZLE 2,00 GPH 80°H | |
| 87 | 4031.045 | FAN THERMOSTAT | |
| 88 | 4033.057 | ELECTRODE | |
| 90 | 4031.047 | LIMIT THERMOSTAT | |

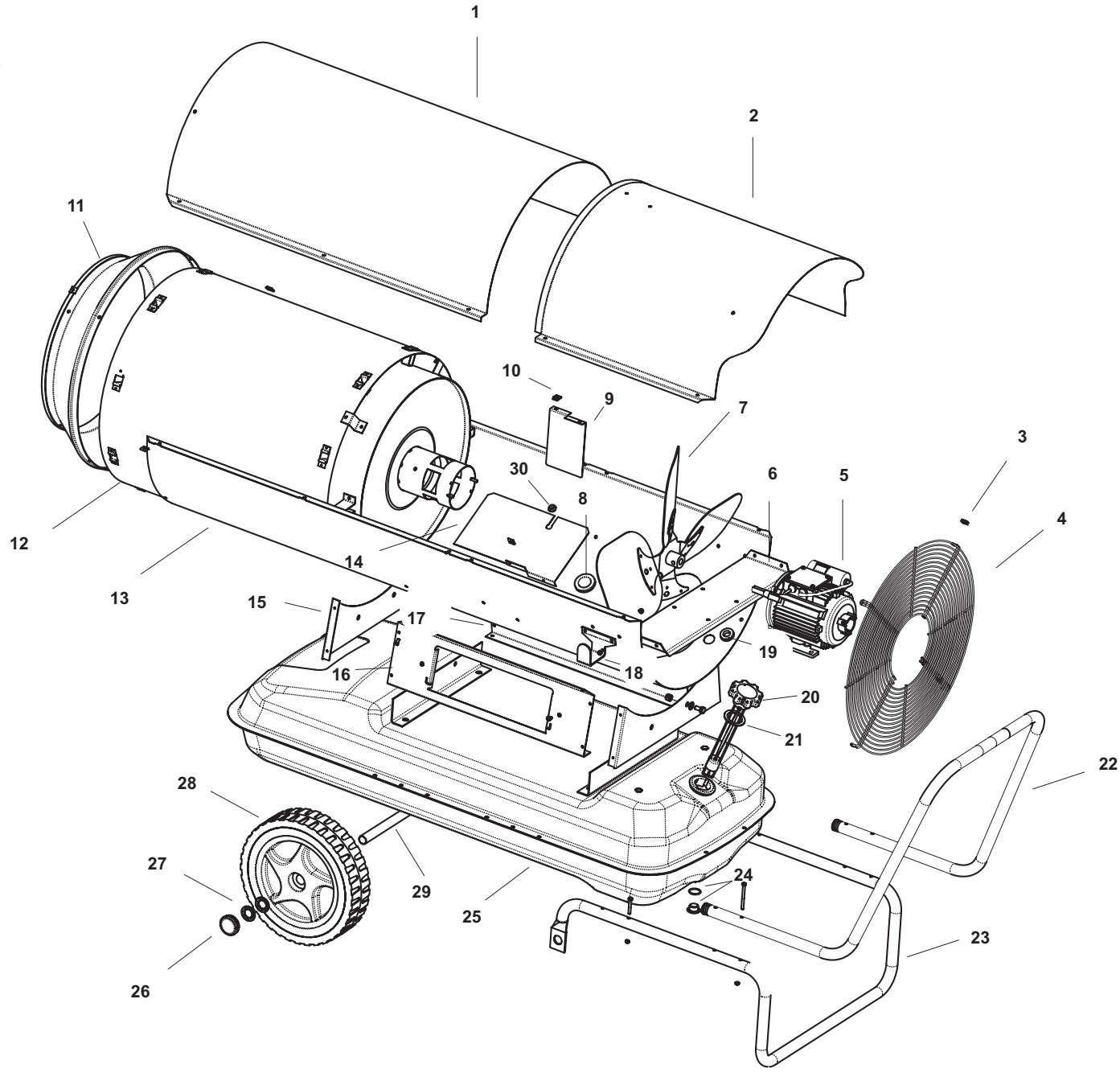
MODEL B360 E

UNIT 1

ILLUSTRATED PARTS BREAKDOWN

From Serial Number: 30200001
Untill Serial Number: 31200284

Edizione 2010
Rev. A



MODEL B360 E

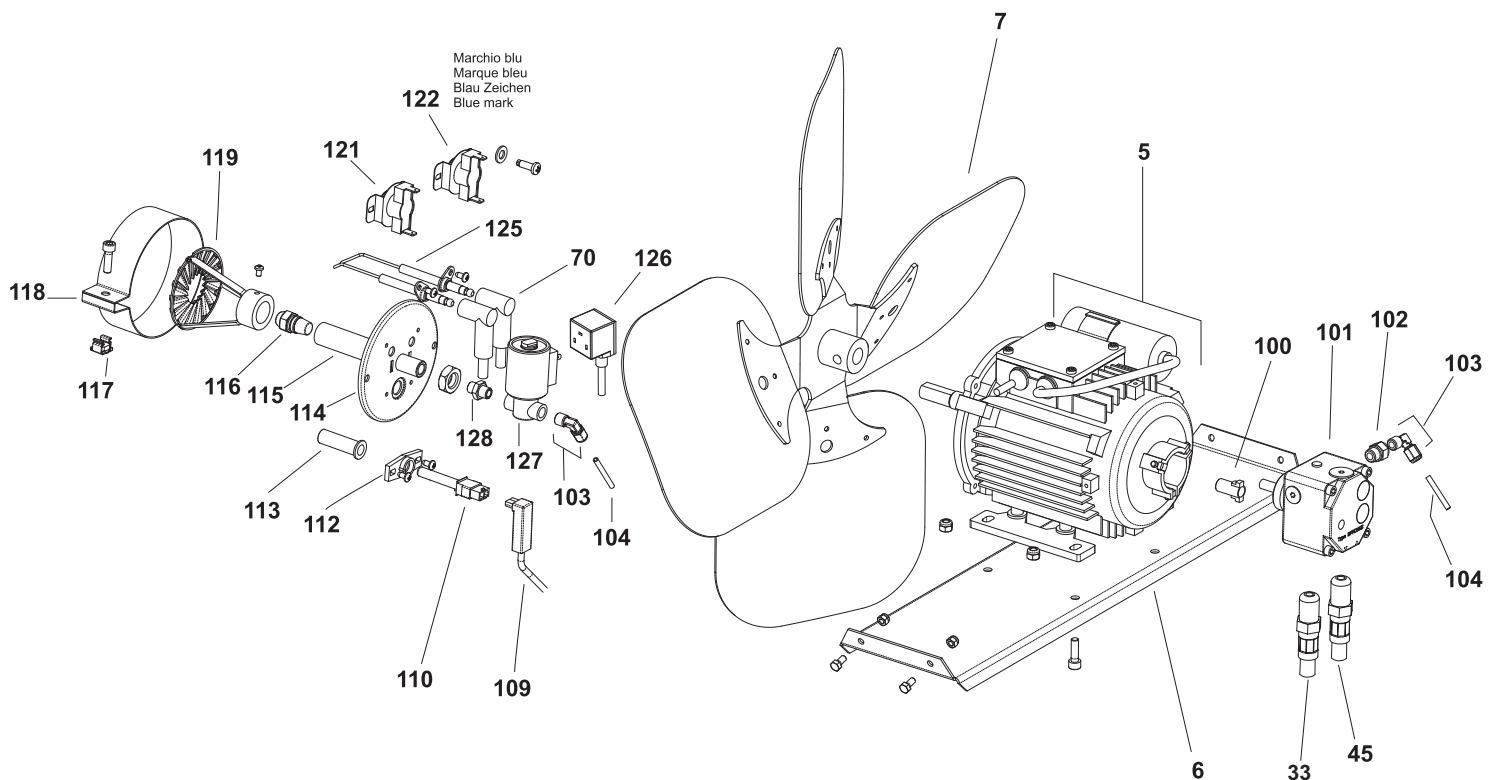
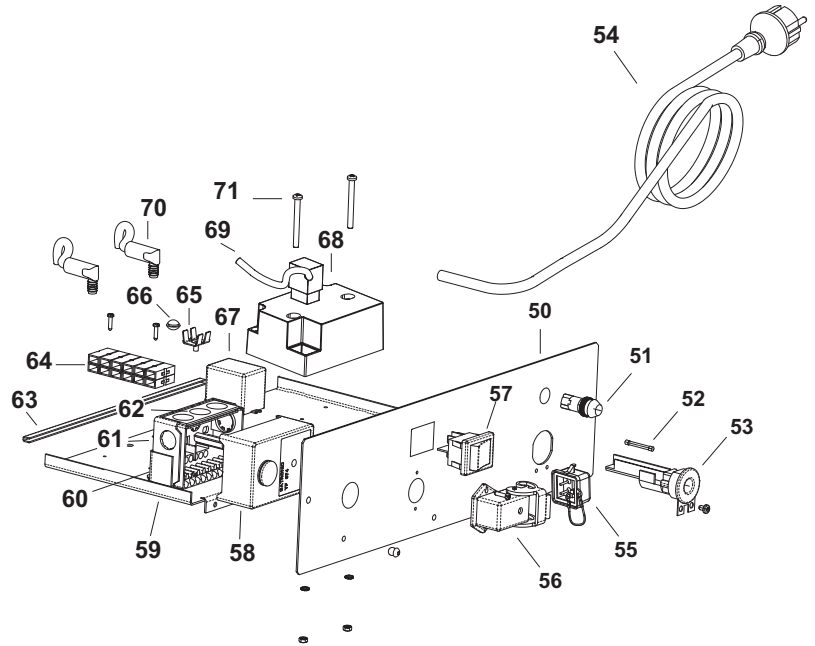
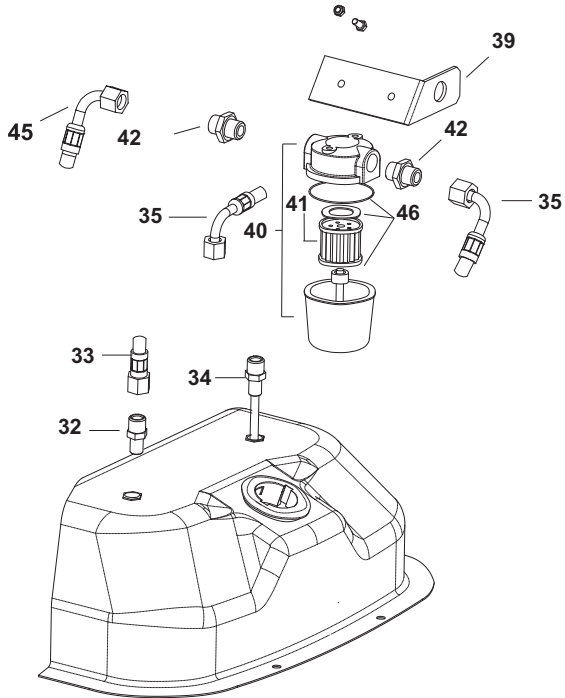
UNIT 2

ILLUSTRATED PARTS BREAKDOWN

From Serial Number: 30200001

Until Serial Number: 31200284

Edizione 2010
Rev. A



OIL HEATER B360 E

| POS. | Code NR | Description |
|-------------|----------------|---------------------------------|
| 1 | 4111.604 | UPPER BODY |
| 2 | 4032.458 | UPPER BODY MOBILE |
| 3 | 4111.241 | ELASTIC PLATE Ø 4,2 |
| 4 | 4032.465 | INLET GRILL |
| 5 | 4032.370 | MOTOR 4PW 230V/50 IP44 |
| 6 | 4032.463 | MOTOR FLANGE SUPPORT |
| 7 | 4033.019 | FAN |
| 8 | 4111.056 | PROTECTION CABLE |
| 9 | 4032.518 | CENTRAL AIR FLAP |
| 10 | 4104.170 | CLIP NUT |
| 11 | 4032.452 | OUTLET CONE |
| 12 | 4111.638 | COMBUSTION CHAMBER |
| 13 | 4032.460 | LOWER BODY |
| 14 | 4111.610 | AIR FLAP |
| 15 | 4032.470 | BASE |
| 16 | 4032.466 | ELECTR. COMPONENTS DRAWER PANEL |
| 17 | 4032.468 | SIDE PANEL |
| 18 | 4032.536 | POWER CORD HOOK |
| 19 | 4160.646 | PROTECTION CABLE |
| 20 | 4032.475 | FUEL LEVEL PROBE |
| 21 | 4032.537 | FUEL LEVEL PROBE GASKET |
| 22 | 4032.480 | HANDLE FRAME |
| 23 | 4032.476 | FOOT FRAME |
| 24 | 4100.632 | DRAIG PLUG |
| 25 | 4032.439 | FUEL TANK |
| 26 | 4111.480 | WHEEL PLUG |
| 27 | 4111.072 | WHEEL PLUG Ø 20 |
| 28 | 4110.978 | WHEEL |
| 29 | 4032.478 | AXLE |
| 30 | 4101.151 | PROTECTION CABLE |
| 32 | 4031.068 | CONN. STRAIGHT 1/4" |
| 33 | 4031.062 | FUEL PIPE PUMP-TANK |
| 34 | 4031.067 | PIPE CONNECTION 1/4" |
| 35 | 4031.063 | FUEL PIPE TANK-FILTER |
| 39 | 4111.045 | FILTER SUPPORT |
| 40 | 4031.070 | FILTER WITH CARTIDGE 3/8" |
| 41 | 4031.015 | FILTER CARTIDGE |
| 42 | 4031.064 | DOUBLE SCREW |
| 45 | 4031.061 | FUEL PIPE FILTER-PUMP |
| 46 | 4111.116 | OR KIT FILTER |
| 50 | 4032.466 | ELECTR. COMPONENTS DRAWER PANEL |
| 51 | 4117.058 | PILOT LAMP |
| 52 | 4111.040 | FUSE (6,3X32) 10 A |
| 53 | 4111.038 | CABLE FASTENER |

| | | |
|-----|----------|------------------------------|
| 54 | 4111.153 | POWER CORD |
| 55 | 4162.467 | THERMOSTAT PLUG |
| 56 | 4111.119 | PLATE PLUG |
| 57 | 4160.637 | SWITCH 16A |
| 58 | 4110.968 | CONTROL BOX SATRONIC |
| 59 | 4032.448 | ELECTR. COMPONENTS BASE |
| 60 | 4032.499 | CONTROL BOX SUPPORT |
| 61 | 4110.969 | CONTROL BOX BASE |
| 62 | 4110.967 | PG PLATE |
| 63 | 4110.155 | EDGE LINER |
| 64 | 4111.033 | TERMINAL BOARD |
| 65 | 4160.639 | POP RIVET WITH TERMIN. 4 WAY |
| 66 | 4032.450 | PLASTIC PIN |
| 67 | 4111.032 | RELAY FINDER |
| 68 | 4031.541 | TRANSFORMER |
| 69 | 4110.491 | TRANSFORMER POWER CORD |
| 70 | 4110.490 | H.T. CABLE |
| 71 | 4160.421 | M4 SCREW |
| 100 | 4111.081 | COUPLING SIMEL |
| 101 | 4031.476 | PUMP DANFOSS |
| 102 | 4161.501 | NUT FOR BICONE 1/8 |
| 103 | 4161.140 | CONNECTION 90° 1/8 |
| 104 | 4032.433 | OIL SUPPLY PIPE |
| 109 | 4110.970 | PHOTOCELL CONN. CABLE |
| 110 | 4110.966 | PHOTOCELL |
| 112 | 4111.076 | PHOTOCELL BLOCK BRACKET |
| 113 | 4032.406 | PHOTOCELL SUPPORT |
| 114 | 4032.405 | BURNER FLANGE |
| 115 | 4032.403 | NOZZLE SUPPORT |
| 116 | 4111.143 | NOZZLE 2,00 GPH 80°H |
| 117 | 4032.454 | M6 NUT |
| 118 | 4032.453 | AIR REGULATION FLAP |
| 119 | 4032.570 | TURBO DISC |
| 121 | 4031.045 | FAN THERMOSTAT |
| 122 | 4031.047 | LIMIT THERMOSTAT |
| 125 | 4031.426 | ELECTRODE |
| 126 | 4032.110 | POWER CORD SOLENOID SPOOL |
| 127 | 4102.535 | SOLENOID SPOOL 230V/50Hz |
| 128 | 4160.968 | CONN. STRAIGHT 1/8" |