

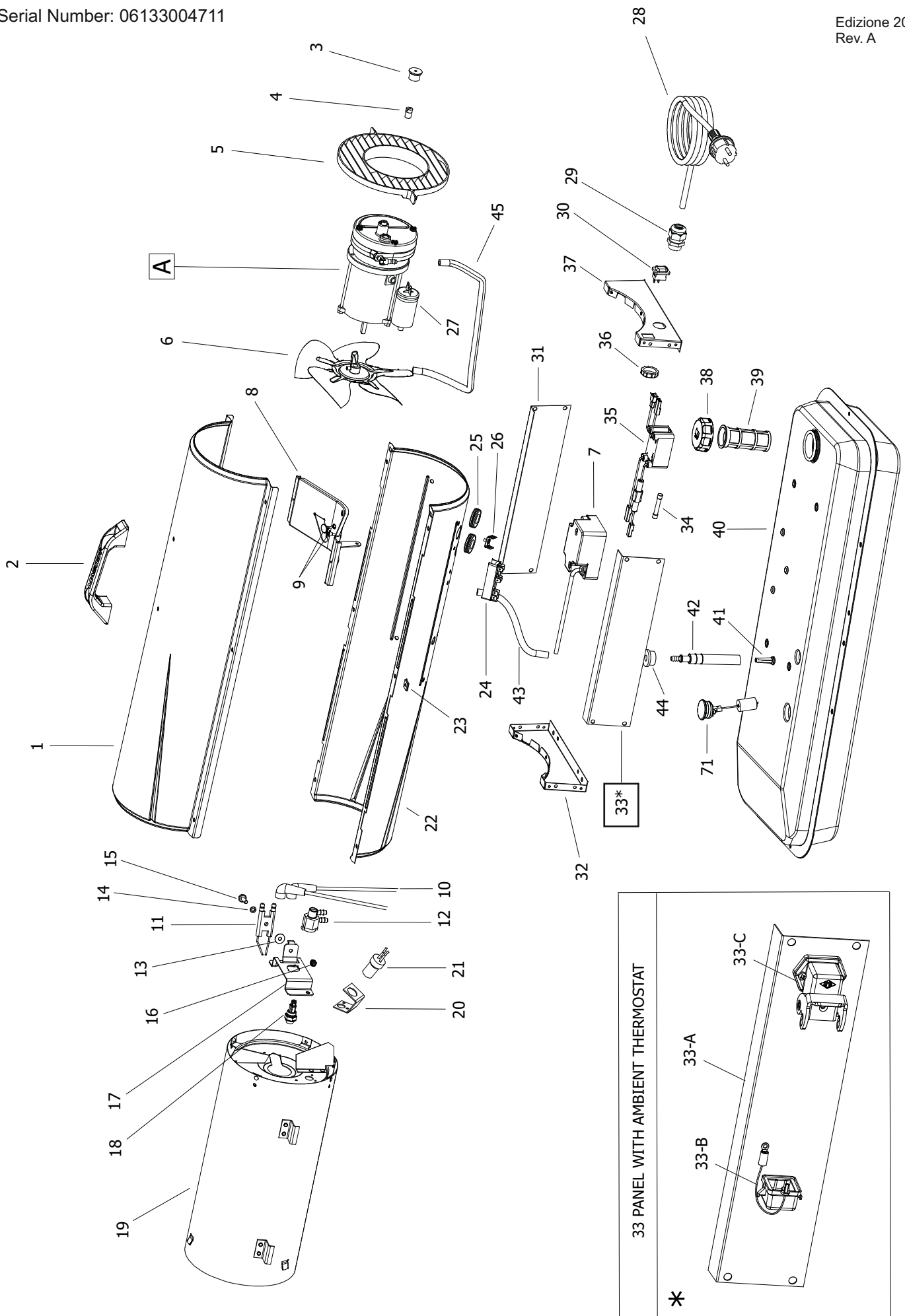
# B 35 CED MODEL 2013

UNIT 1

ILLUSTRATED PARTS BREAKDOWN

From Serial Number: 06133004711

Edizione 2013  
Rev. A

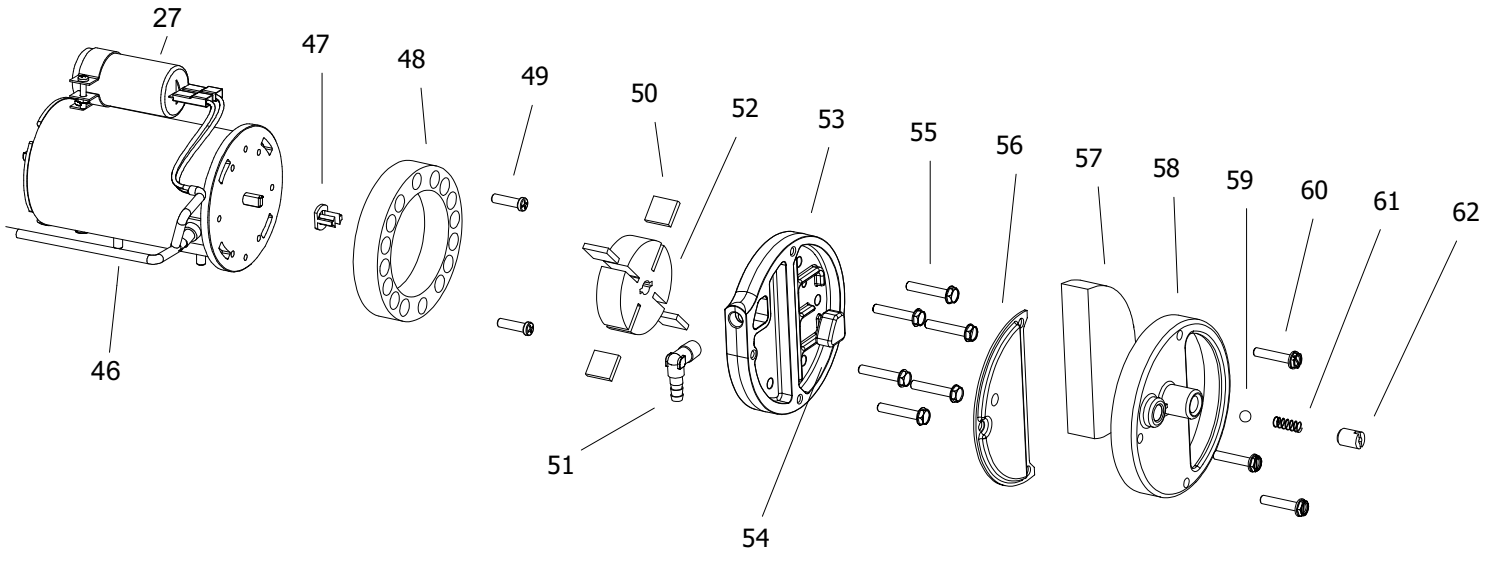


# B 35 CED MODEL 2013

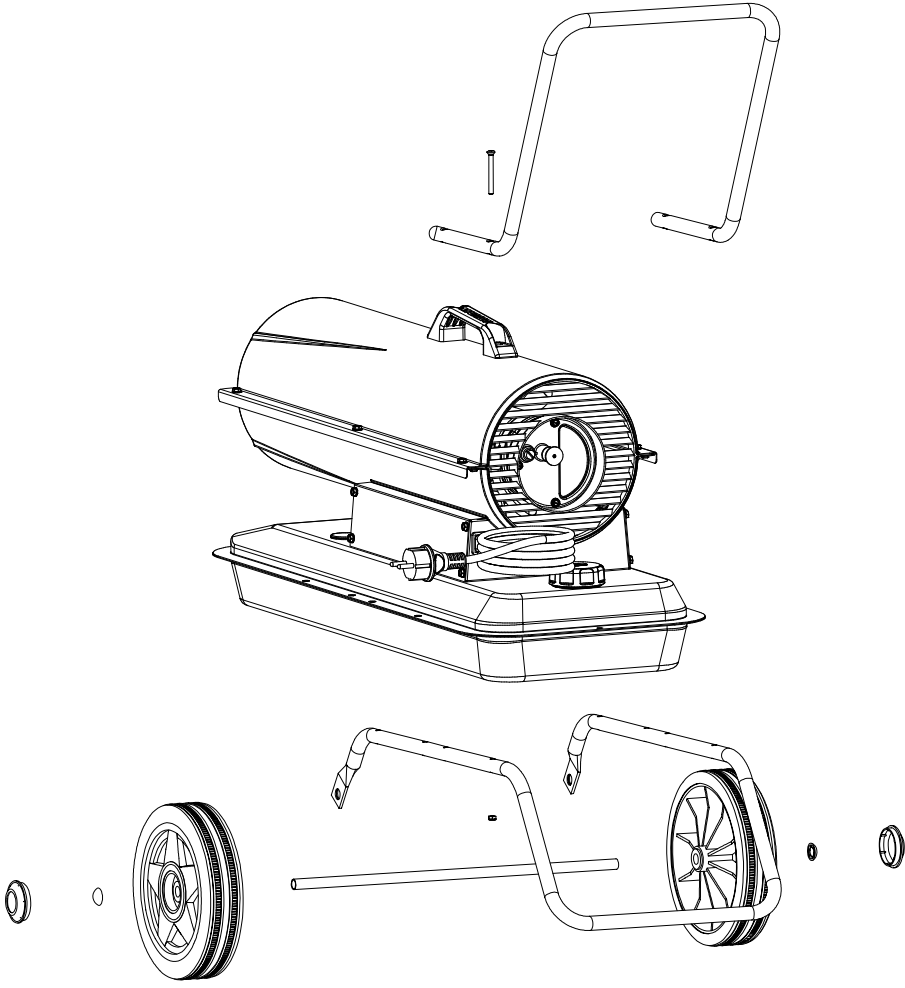
UNIT 2

ILLUSTRATED PARTS BREAKDOWN

A



## 4103.925 Wheel Kit



---

<b>Pos.</b>	<b>Code NR</b>	<b>Description</b>
1	4109.808	UPPER SHELL
2	4162.934	PLASTIC HANDLE
3	4100.666	COVER CAP
4	4102.125	PRESSURE GAUGE CAP
5	4109.812	FAN GUARD
6	4100.662	FAN
7	4111.885	ELECTRONIC IGNITOR
8	4110.187	MOTOR BRACKET
9	4150.553	BUMPER
10	4111.831	HT CABLE
11	4110.337	BIFILAR ELECTRODES
12	4100.664	NOZZLE ADAPTER
13	4110.394	WASHER
14	4110.393	WASHER
15	4161.315	SCREW
16	4160.618	NUT
17	4100.101	NOZZLE BRACKET
18	4100.648	NOZZLE
19	4110.115	COMBUSTION CHAMBER
20	4100.658	PHOTOCELL BRACKET
21	4110.564	PHOTOCELL ASSEMBLY
22	4109.809	LOWER SHELL
23	4104.170	CLIP NUT
24	4106.110	TERMINAL BOARD
25	4160.646	CABLE PROTECTION
26	4160.639	RIVET POP
27	4111.856	CAPACITOR 3UF
27	4110.292	CAPACITOR 2,5UF
28	4110.451	POWER CORD SCHUKO
28-A	4111.811	POWER CORD NEW ZEALAND
28-B	4110.464	POWER CORD UK
29	4150.528	STRAIN RELIEF
30	4106.179	ON/OFF SWITCH
31	4110.560	RIGHT PANEL
32	4110.113	FRONT FRAME BRACKET
33-A	4106.212	LEFT PANEL FOR AMBIENT THERMOSTAT

---

<b>Pos.</b>	<b>Code NR</b>	<b>Description</b>
33-B	4162.467	CAP FOR THERMOSTAT SOCKET
33-C	4111.119	THERMOSTAT SOCKET
34	4101.864	FUSE
35	4104.193	FLAME-OUT CONTROL
36	4100.656	LOCKNUT
37	4110.114	REAR FRAME BRACKET
38	4260.007	FUEL TANK CAP
39	4290.026	FUEL TANK FILTER
40	4110.385	FUEL TANK
41	4110.356	FUEL FILTER
42	4110.427	FUEL LINE
43	4110.032	FUEL LINE
44	4100.541	RUBBER BUSHING
45	4104.147	AIR LINE
46	4110.478	MOTOR 1/35 HP
47	4108.635	INSERT
48	4101.532	PUMP BODY
49	4108.590	PUMP BODY SCREW
50	4101.666	BLADE
51	4100.661	BARB ELBOW
52	4103.441	ROTOR
53	4100.661	PUMP END COVER
54	4109.716	LINT FILTER
55	4108.536	SCREW/LOCKWASHER 4,8x30
56	4109.708	OUTPUT FILTER
57	4109.690	INTAKE FILTER
58	4109.674	END COVER
59	4108.379	STEEL BALL
60	4108.528	SCREW/LOCKWASHER 4,8x25
61	4102.141	PRESSURE RELIEF SPRING
62	4102.133	ADJUSTING SCREW
71	4260.006	FUEL GAUGE
...	4103.925	WHEEL KIT HD B35/70