

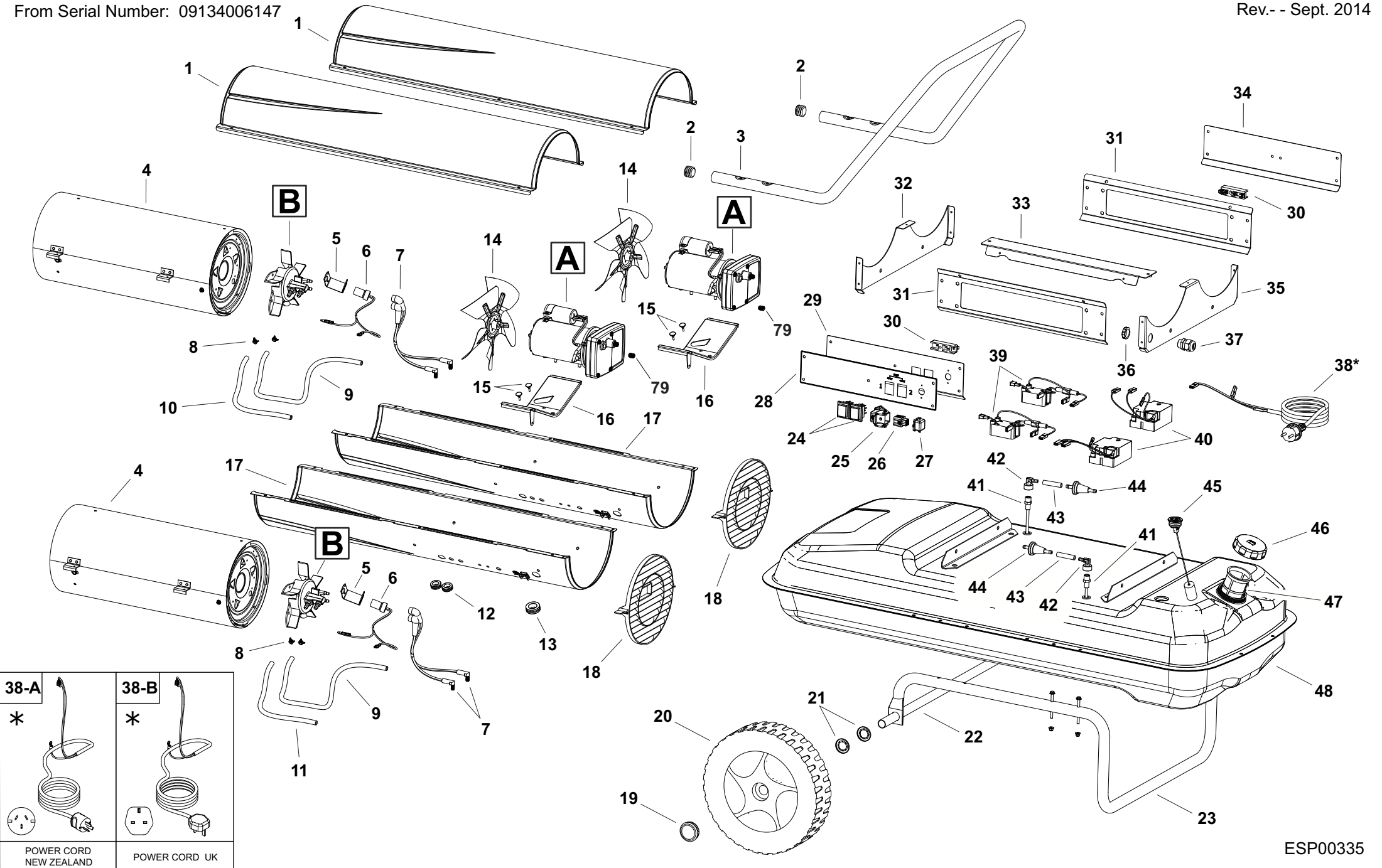
# MODEL B 300CED

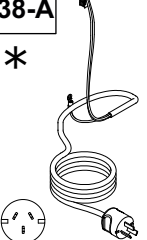
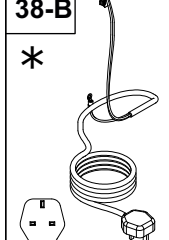
UNIT 1

ILLUSTRATED PARTS BREAKDOWN

From Serial Number: 09134006147

Rev.- - Sept. 2014



|                                                                                                                |                                                                                                                 |
|----------------------------------------------------------------------------------------------------------------|-----------------------------------------------------------------------------------------------------------------|
| <p><b>38-A</b></p> <p>*</p>  | <p><b>38-B</b></p> <p>*</p>  |
| <p>POWER CORD<br/>NEW ZEALAND</p>                                                                              | <p>POWER CORD<br/>UK</p>                                                                                        |

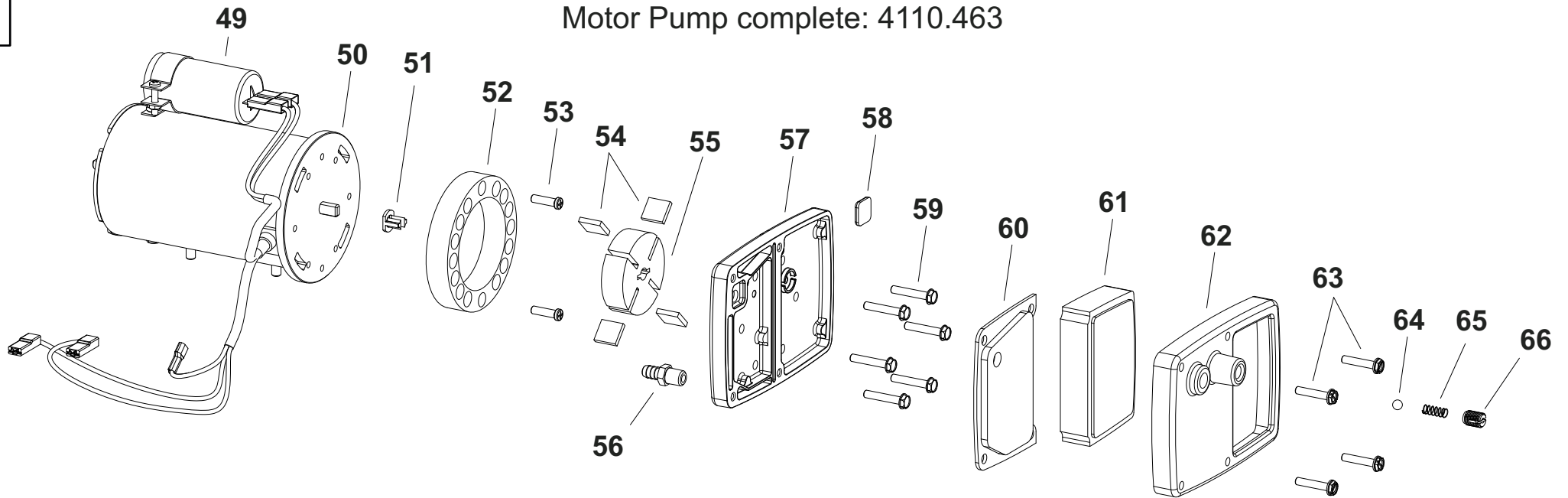
# MODEL B 300CED

UNIT 2

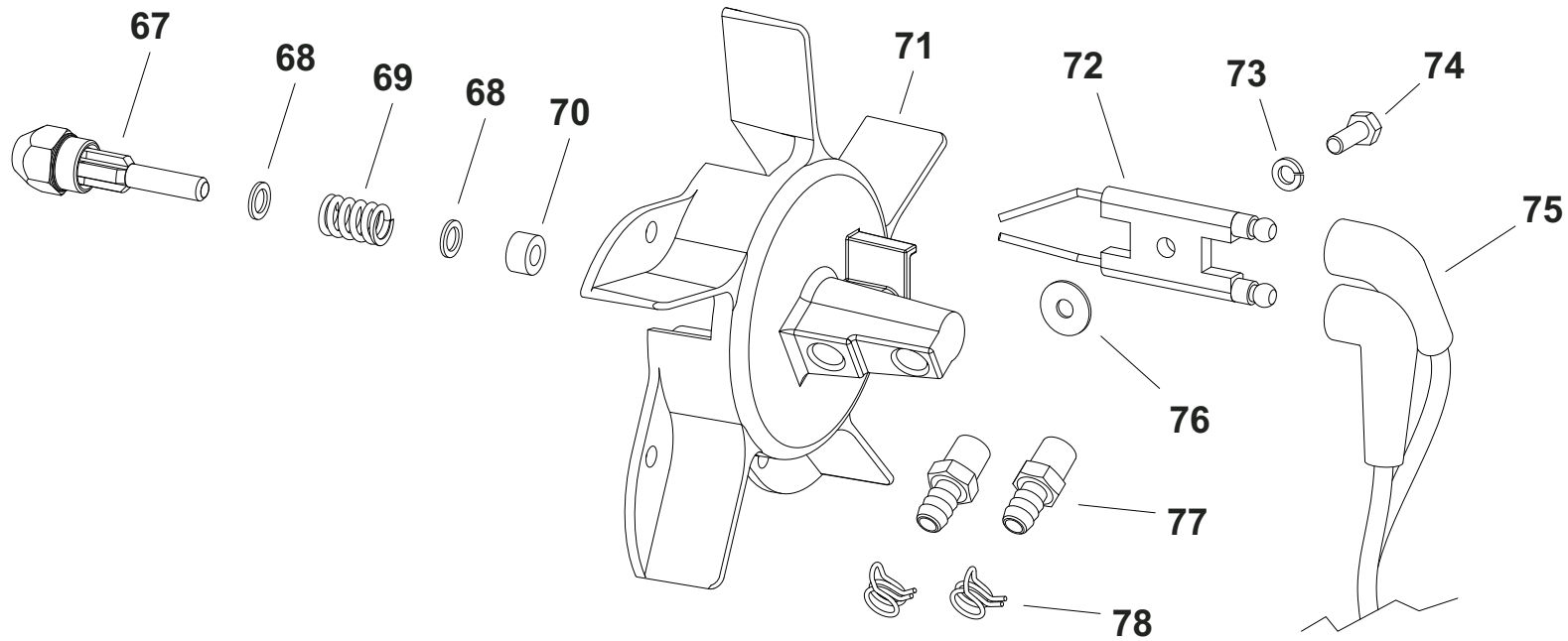
ILLUSTRATED PARTS BREAKDOWN

**A**

Motor Pump complete: 4110.463



**B**



| Pos. | Code NR  | Description                     |
|------|----------|---------------------------------|
| 1    | 4110.360 | UPPER SHELL                     |
| 2    | 4111.057 | HANDLE PLUG                     |
| 3    | 4100.162 | HANDLE                          |
| 4    | 4110.595 | COMBUSTION CHAMBER              |
| 5    | 4100.659 | PHOTOCELL BRACKET               |
| 6    | 4110.564 | PHOTOCELL                       |
| 7    | 4111.831 | HT CABLE                        |
| 8    | 4110.159 | HOSE CLAMP                      |
| 9    | 4104.147 | AIR HOSE                        |
| 10   | 4100.187 | OIL HOSE HEATER N°1             |
| 11   | 4100.189 | OIL HOSE HEATER N°2             |
| 12   | 4101.151 | CABLE GLAND (SMALL)             |
| 13   | 4160.646 | CABLE GLAND (BIG)               |
| 14   | 4105.062 | FAN                             |
| 15   | 4150.553 | MOTOR BUMPER                    |
| 16   | 4101.240 | MOTOR BRACKET                   |
| 17   | 4111.926 | LOWER SHELL                     |
| 18   | 4103.695 | PLASTIC GRID                    |
| 19   | 4111.480 | WHEEL PLUG                      |
| 20   | 4110.978 | WHEEL                           |
| 21   | 4111.072 | BLOCK WASHER                    |
| 22   | 4032.478 | WHEELS AXLE                     |
| 23   | 4032.476 | WHEEL SUPPORT                   |
| 24   | 4165.204 | SWITCH                          |
| 25   | 4160.647 | THERMOSTAT SOCKET               |
| 26   | 4161.400 | THERMOSTAT PLUG                 |
| 27   | 4162.467 | THERMOSTAT CAP                  |
| 28   | 4100.181 | CONTROL PANEL LABEL             |
| 29   | 4100.179 | CONTROL PANEL                   |
| 30   | 4106.110 | TERMINAL BOX                    |
| 31   | 4100.176 | CONTROL PANEL SUPPORT           |
| 32   | 4100.168 | LATERAL PANEL                   |
| 33   | 4100.172 | INTERNAL PANEL                  |
| 34   | 4100.174 | SIDE CONTROL PANEL              |
| 35   | 4100.170 | POWER CORD LATERAL PANEL        |
| 36   | 4100.656 | NUT                             |
| 37   | 4150.528 | POWER CORD GLAND                |
| 38   | 4033.253 | POWER CORD SCHUKO (TYPE F+E)    |
| 38-A | 4033.252 | POWER CORD NEW ZEALAND (TYPE I) |
| 38-B | 4033.302 | POWER CORD UK (TYPE G)          |
| 39   | 4100.202 | FLAME CONTROL                   |
| 40   | 4111.885 | HIGH TENSION TRANSFORMER        |
| 41   | 4100.191 | SUCTION COPPER PIPE             |

---

| <b>Pos.</b> | <b>Code NR</b> | <b>Description</b>         |
|-------------|----------------|----------------------------|
| 42          | 4100.192       | 90° CONNECTION             |
| 43          | 4100.193       | SUCTION HOSE               |
| 44          | 4100.630       | SUCTION FILTER             |
| 45          | 4260.105       | FUEL GAUGE                 |
| 46          | 4260.100       | TANK CAP                   |
| 47          | 4290.083       | TANK FILTER                |
| 48          | 4100.164       | TANK                       |
| 49          | 4111.855       | CAPACITOR                  |
| 50          | 4111.852       | MOTOR                      |
| 51          | 4108.635       | MOTOR PUMP COUPLING        |
| 52          | 4101.532       | PUMP BODY                  |
| 53          | 4108.590       | PUMP BODY SCREW            |
| 54          | 4101.666       | ROTOR BLADE                |
| 55          | 4103.441       | ROTOR                      |
| 56          | 4104.118       | STRAIGHT CONNECTION        |
| 57          | 4101.325       | PUMP END COVER             |
| 58          | 4101.333       | LINT FILTER                |
| 59          | 4108.536       | SCREW                      |
| 60          | 4101.341       | OUTPUT FILTER              |
| 61          | 4101.358       | INTAKE FILTER              |
| 62          | 4108.643       | END COVER                  |
| 63          | 4108.528       | SCREW                      |
| 64          | 4108.379       | STEEL SPHERE               |
| 65          | 4102.141       | PRESSURE REGULATION SPRING |
| 66          | 4102.133       | REGULATION SCREW           |
| 67          | 4103.898       | NOZZLE                     |
| 68          | 4100.525       | WASHER                     |
| 69          | 4100.533       | NOZZLE SPRING              |
| 70          | 4101.622       | NOZZLE SEAL SLEEVE         |
| 71          | 4110.377       | BURNER HEAD                |
| 72          | 4110.337       | BIFILAR ELECTRODE          |
| 73          | 4110.393       | ELASTIC WASHER             |
| 74          | 4110.363       | SCREW                      |
| 75          | 4111.831       | HT CABLE                   |
| 76          | 4110.394       | FIBER WASHER               |
| 77          | 4104.118       | STRAIGHT CONNECTION        |
| 78          | 4110.159       | HOSE CLAMP                 |
| 79          | 4102.125       | CLOSURE SCREW              |
| A           | 4110.463       | MOTOR PUMP COMPLETE        |