

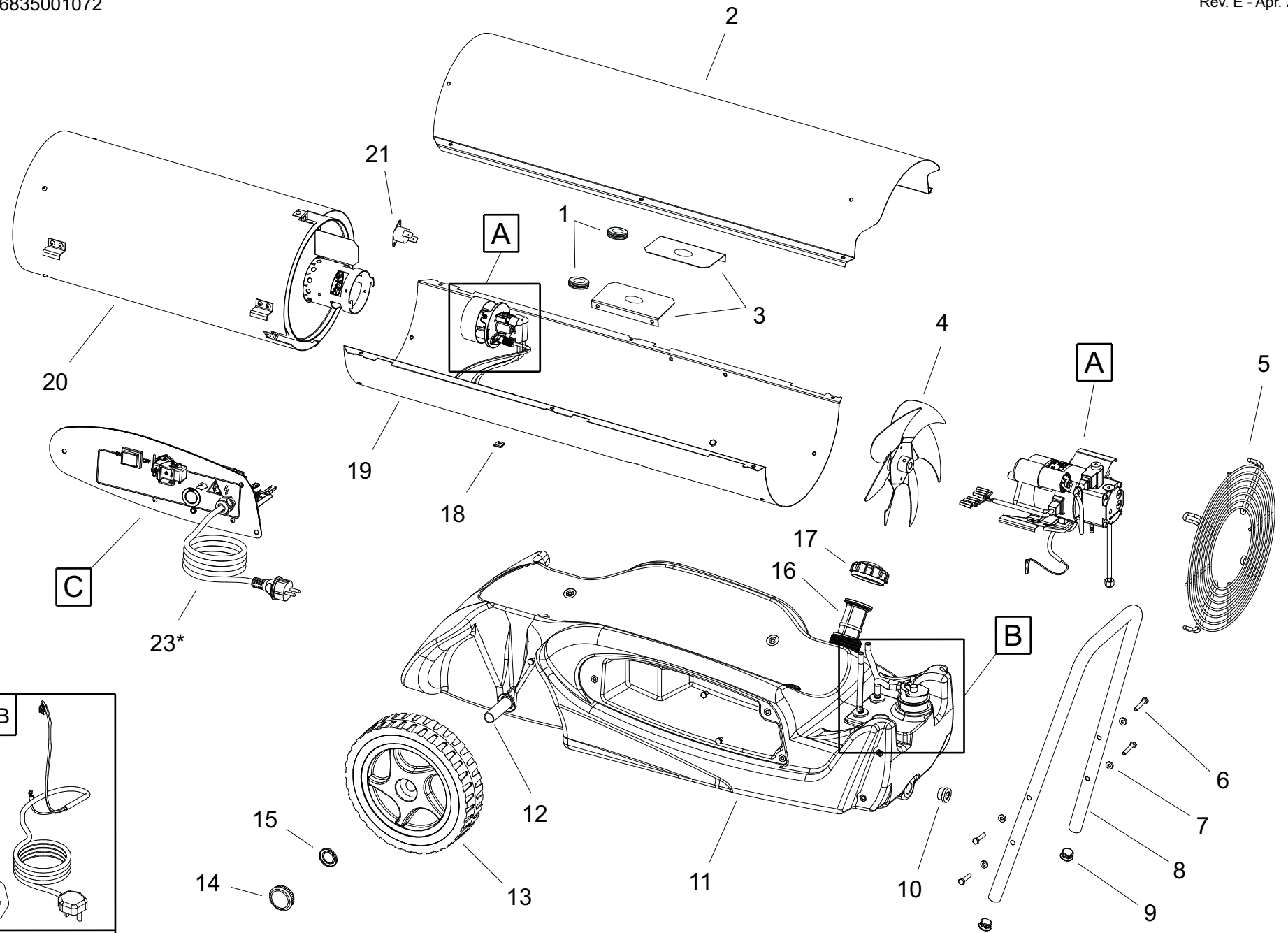
MODEL B180 E

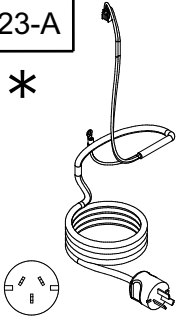
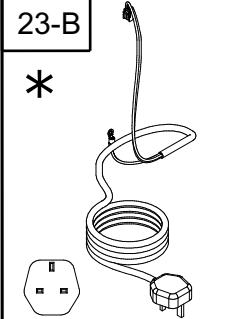
UNIT 1

ILLUSTRATED PARTS BREAKDOWN

From Serial Number: 06835001072

Rev. E - Apr. 2016



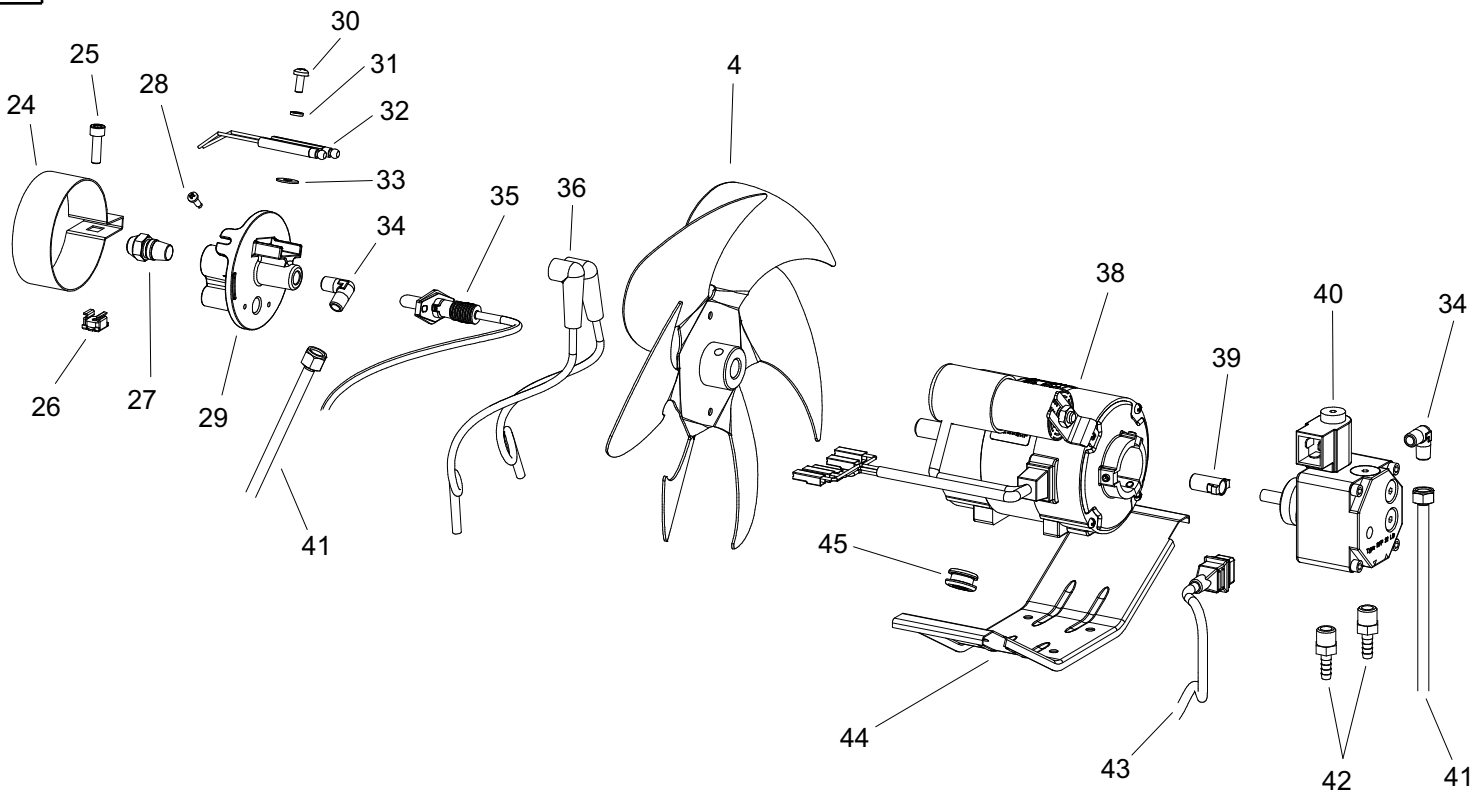
<p>23-A</p> <p>*</p> 	<p>23-B</p> <p>*</p> 
<p>POWER CORD NEW ZEALAND</p>	<p>POWER CORD UK</p>

MODEL B180 E

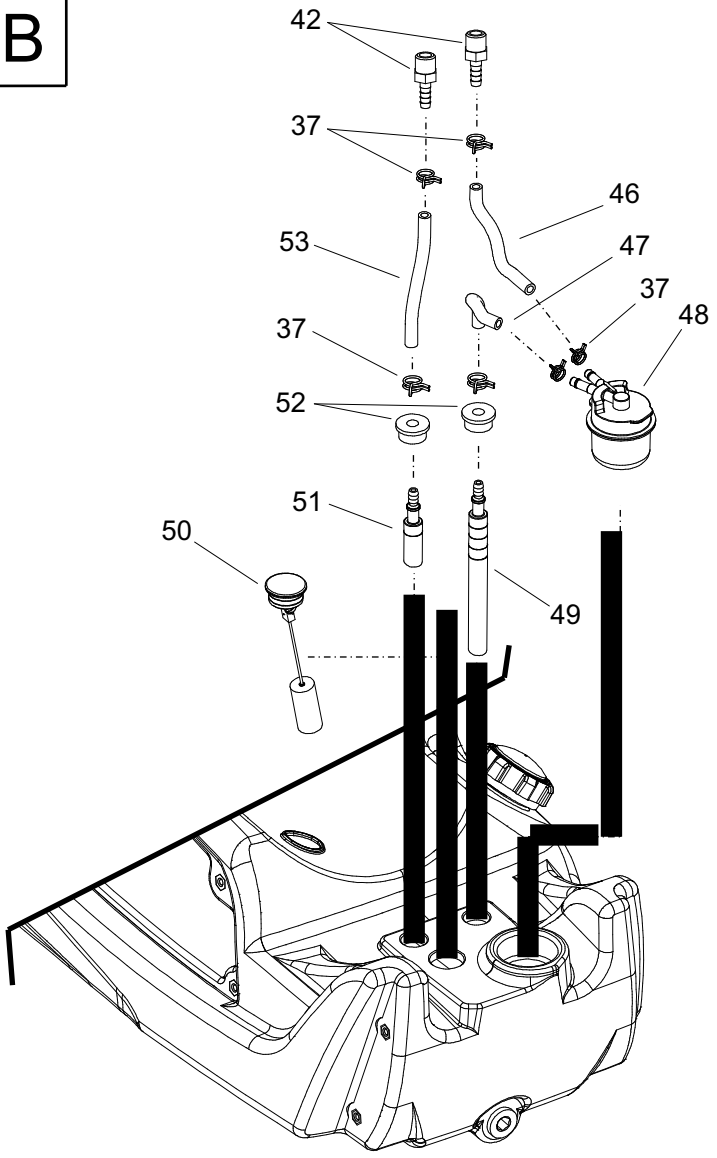
UNIT 2

ILLUSTRATED PARTS BREAKDOWN

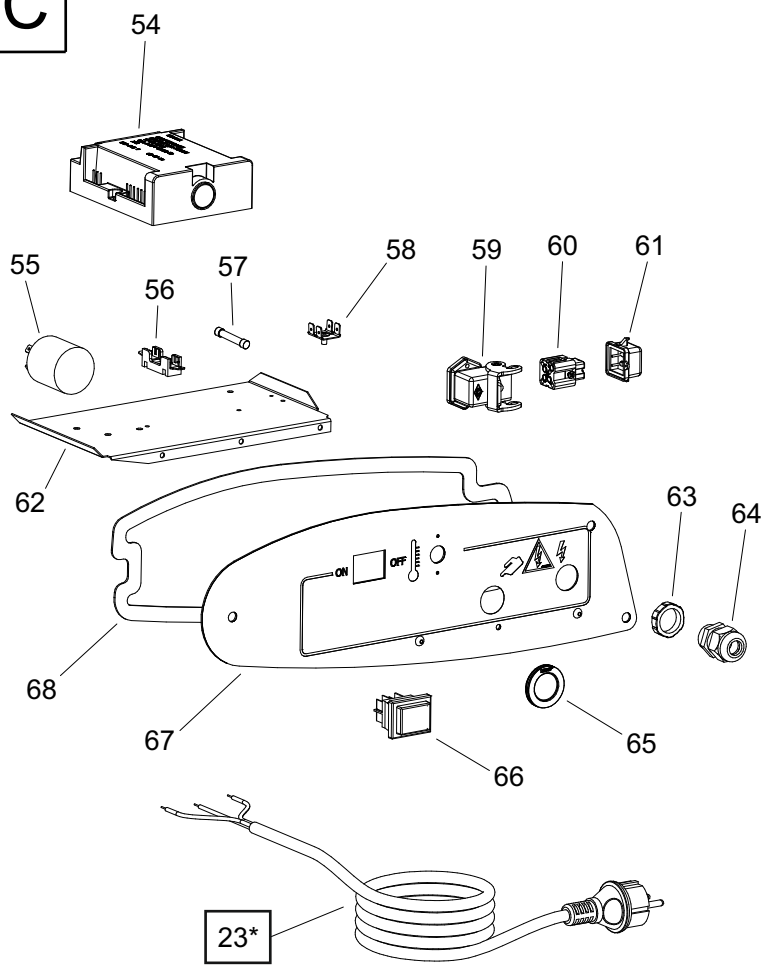
A



B



C



MODEL B180 E

UNIT 3

PARTS LIST

Pos.	Code NR	Description	Rev. E - Apr. 2016
1	4160.646	CABLE PROTECTION	
2	4033.016	UPPER SHELL	
3	4033.028	AIR FLAP	
4	4033.070	FAN	
5	4032.836	INLET GRID	
6	4140.665	SCREW	
7	4160.272	WASHER	
8	4032.386	HANDLE	
9	4032.979	CAP	
10	4032.813	DRAIN PLUG	
11	4033.267	TANK	
12	4032.389	AXLE	
13	4032.094	WHEEL	
14	4111.480	WHEEL CAP	
15	4111.072	WHEEL HOLDER	
16	4201.185	TANK FILTER	
17	4032.846	TANK CAP	
18	4104.170	CLIP NUT	
19	4033.015	LOWER SHELL	
20	4033.316	COMBUSTION CHAMBER	
21	4032.883	LIMIT THERMOSTAT	
23*	4033.253	POWER CORD SCHUKO	
23-A	4033.252	POWER CORD NEW ZEALAND	
23-B	4033.302	POWER CORD UK	
24	4032.545	AIR REGULATION FLAP	
25	4032.455	SCREW	
26	4032.454	CAGE NUT	
27	4100.809	NOZZLE	
28	4161.956	SCREW	
29	4033.042	BURNER FLANGE	
30	4110.363	SCREW	
31	4110.393	AUTOLOCK WASHER	
32	4033.123	BIFILAR ELECTRODE	
33	4110.394	FIBER WASHER	
34	4033.198	ELBOW	
35	4032.776	PHOTOCELL KIT	
36	4031.048	HIGH TENSION CABLES	
37	4100.810	PIPE CLAMP	
38	4033.219	MOTOR	Alternative code: 4033.312
39	4111.081	COUPLING	
40	4111.042	PUMP	
41	4033.187	FLEXIBLE OIL PIPE	
42	4032.906	FITTING	
43	4032.342	SOLENOID SPOOL CORD	
44	4032.835	MOTOR BRACKET	
45	4032.947	CABLE PROTECTION	
46	4033.269	OIL PIPE FILTER-PUMP	
47	4033.268	OIL PIPE TANK-TANK FILTER	
48	4260.107	FUEL FILTER	
49	4110.355	OIL SUCTION LINE	
50	4260.099	FUEL GAUGE	
51	4033.038	OIL DISCHARGE LINE	
52	4100.541	RUBBER BUSHING	
53	4110.032	OIL DISCHARGE PIPE	

ESP00123

MODEL B180 E

UNIT 4

PARTS LIST

Pos.	Code NR	Description	Rev. E - Apr. 2016
54	4033.017	IGNITION CONTROL	
55	4032.771	POWER LINE RFI FILTER	
56	4033.301	FUSE HOLDER	
57	4032.850	FUSE	
58	4160.639	POP RIVET TERMINAL 4 WAY	
59	4160.647	THERMOSTAT SOCKET 90°	
60	4161.400	CONNECTION PLUG	
61	4162.467	THERMOSTAT CAP	
62	4033.292	ELECTRICAL COMPONENTS BASE	
63	4100.656	NUT	
64	4150.528	STRAIN RELIEF	
65	4033.251	BOARD BUTTON CAP	
66	4165.204	SWITCH	
67	4033.272	ELECTRICAL PANEL	
	4033.273	ADHESIVE	
68	4033.274	PANEL GASKET	

RECOMMENDED SPARE PARTS

POS.	Code NR	Description	Rev. E - Apr. 2016
21	4032.883	LIMIT THERMOSTAT	
27	4100.809	NOZZLE	
32	4033.123	BIFILAR ELECTRODE	
35	4032.776	PHOTOCELL	
36	4031.048	HIGH TENSION CABLES	
38	4033.219	MOTOR	Alternative code: 4033.312
39	4111.081	COUPLING	
40	4111.042	PUMP	
43	4032.342	SOLENOID SPOOL CORD	
48	4260.107	FUEL FILTER	
54	4033.017	IGNITION CONTROL	
55	4032.771	POWER LINE RFI FILTER	
57	4032.850	FUSE	
59	4160.647	THERMOSTAT SOCKET 90°	
61	4162.467	THERMOSTAT CAP	

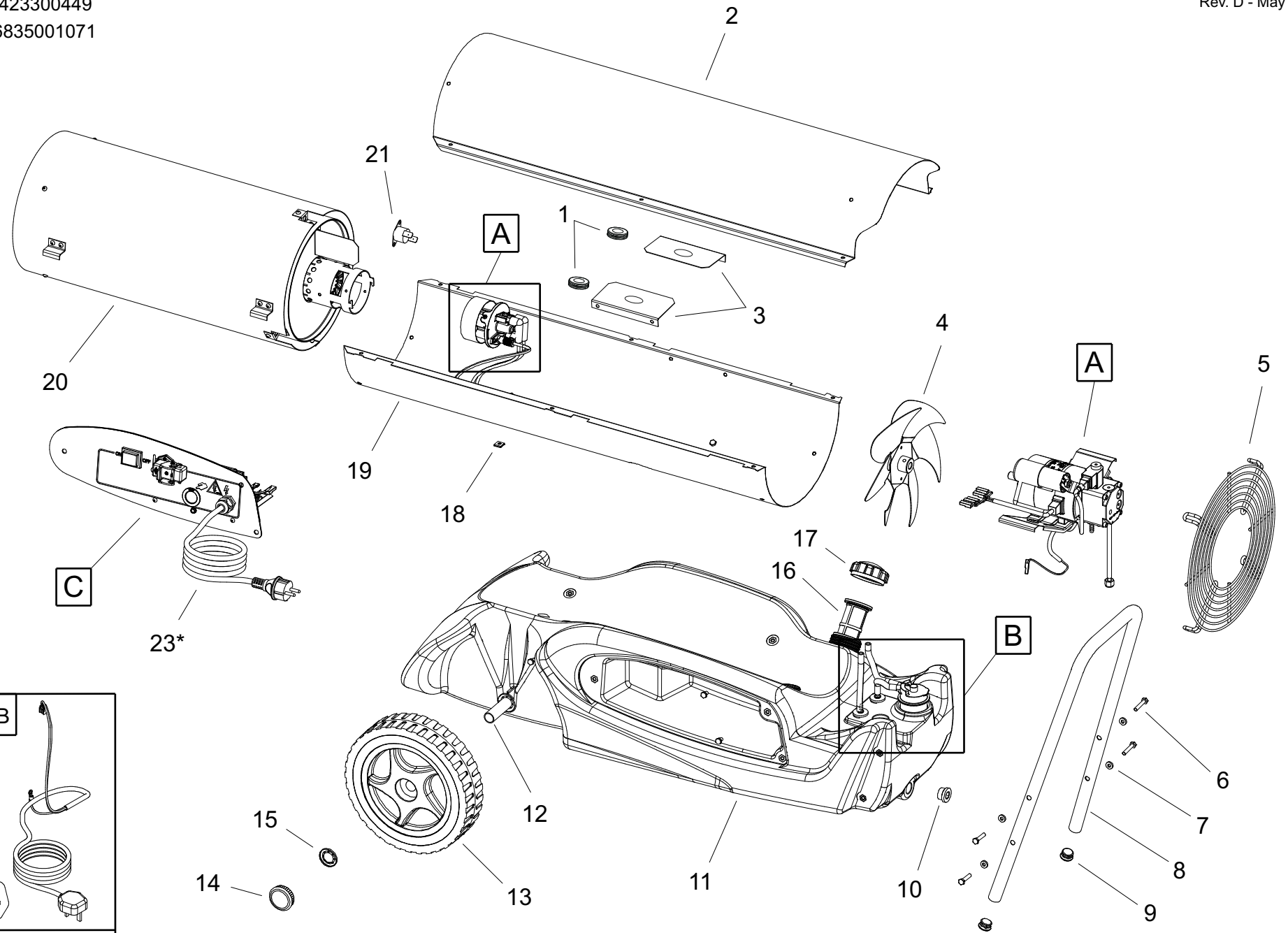
MODEL B180 E

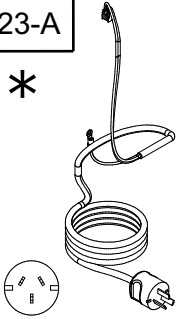
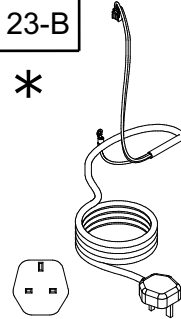
UNIT 1

ILLUSTRATED PARTS BREAKDOWN

From Serial Number: 0423300449
 Until Serial Number: 06835001071

Rev. D - May 2013



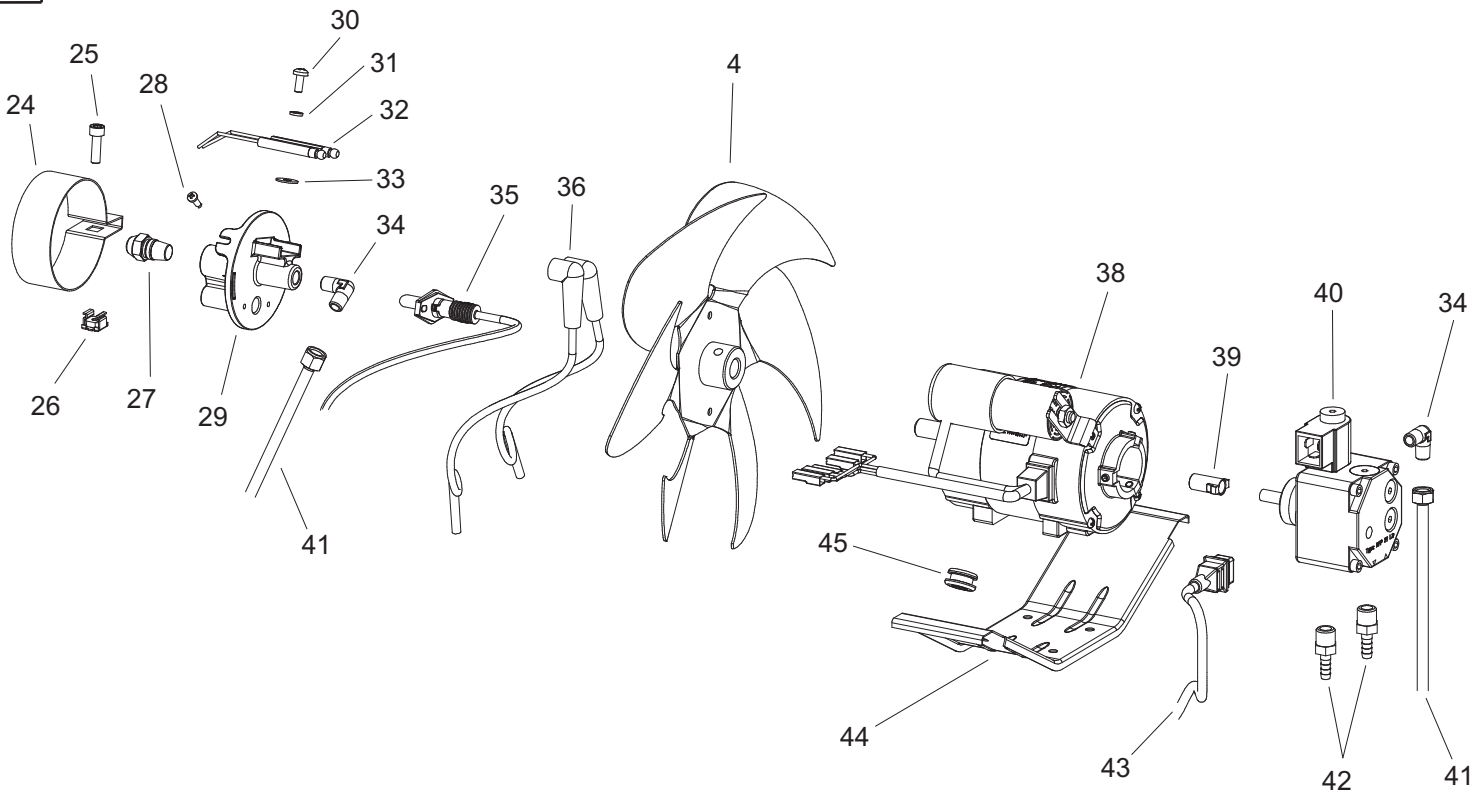
<p>23-A</p> <p>*</p> 	<p>23-B</p> <p>*</p> 
<p>POWER CORD NEW ZEALAND</p>	<p>POWER CORD UK</p>

MODEL B180 E

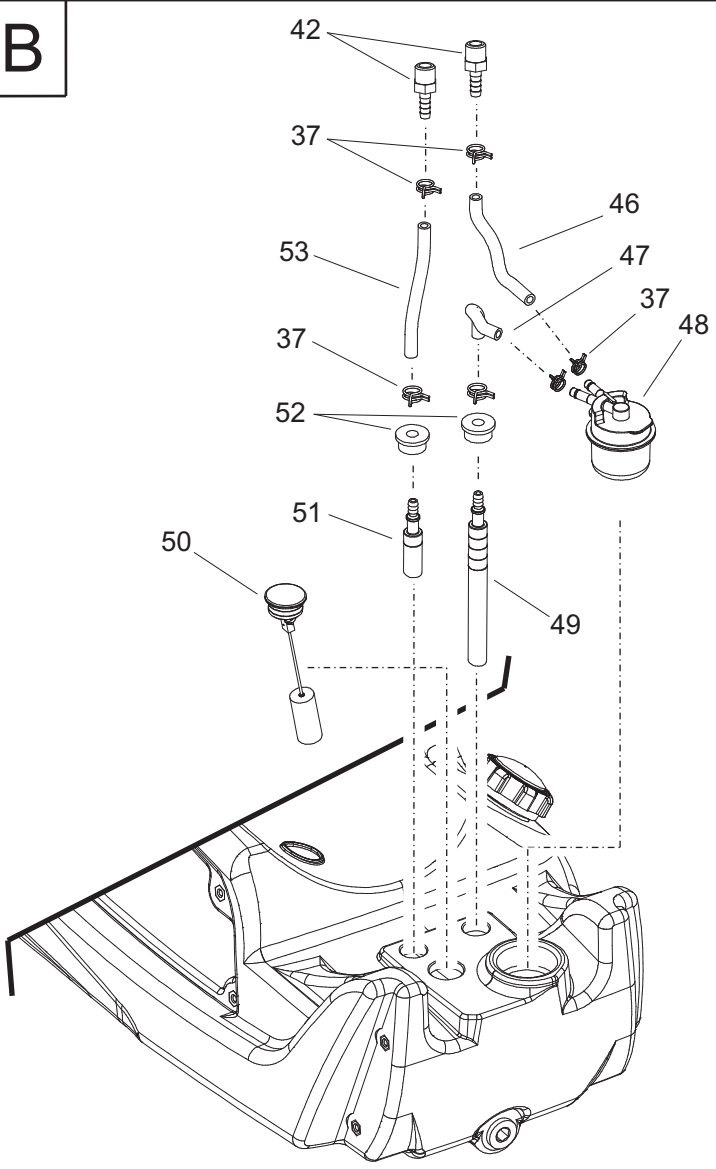
UNIT 2

ILLUSTRATED PARTS BREAKDOWN

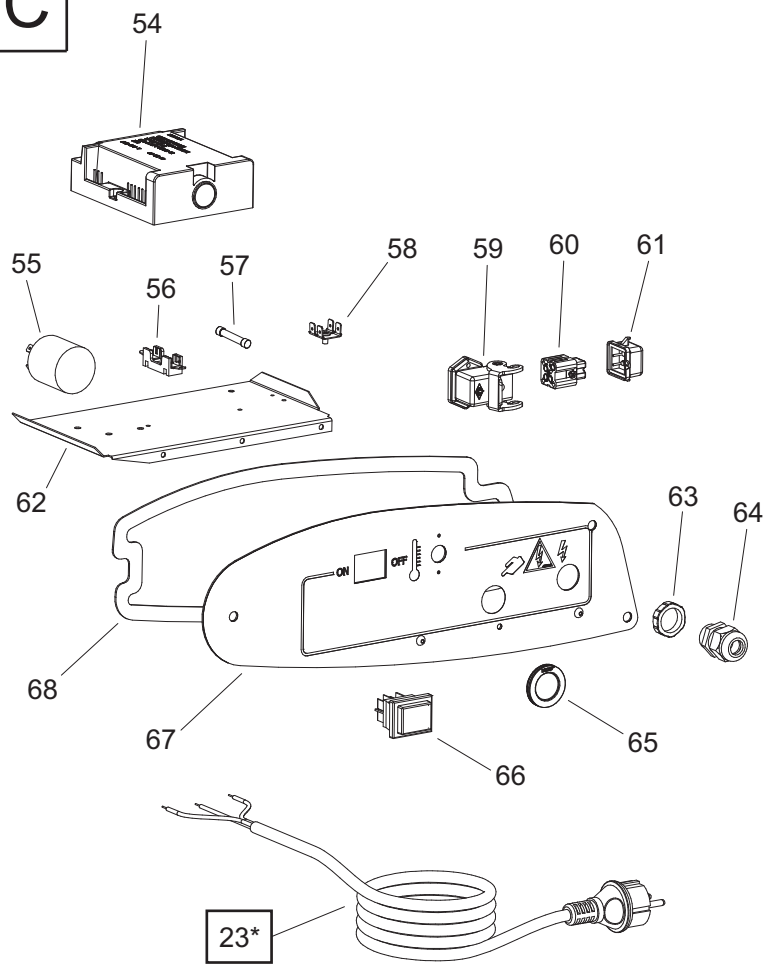
A



B



C



23*

MODEL B180 E

UNIT 3

PARTS LIST

Pos.	Code NR	Description	Rev. D - May 2013
1	4160.646	CABLE PROTECTION	
2	4033.016	UPPER SHELL	
3	4033.028	AIR FLAP	
4	4033.070	FAN	
5	4032.836	INLET GRID	
6	4140.665	SCREW	
7	4160.272	WASHER	
8	4032.386	HANDLE	
9	4032.979	CAP	
10	4032.813	DRAIN PLUG	
11	4033.267	TANK	
12	4032.389	AXLE	
13	4032.094	WHEEL	
14	4111.480	WHEEL CAP	
15	4111.072	WHEEL HOLDER	
16	4201.185	TANK FILTER	
17	4032.846	TANK CAP	
18	4104.170	CLIP NUT	
19	4033.015	LOWER SHELL	
20	4033.316	COMBUSTION CHAMBER	
21	4032.883	LIMIT THERMOSTAT	
23*	4033.253	POWER CORD SCHUKO	
23-A	4033.252	POWER CORD NEW ZEALAND	
23-B	4033.302	POWER CORD UK	
24	4032.545	AIR REGULATION FLAP	
25	4032.455	SCREW	
26	4032.454	CAGE NUT	
27	4100.809	NOZZLE	
28	4161.956	SCREW	
29	4033.042	BURNER FLANGE	
30	4110.363	SCREW	
31	4110.393	AUTOLOCK WASHER	
32	4033.123	BIFILAR ELECTRODE	
33	4110.394	FIBER WASHER	
34	4033.198	ELBOW	
35	4033.022	PHOTOCELL	
36	4031.048	HIGH TENSION CABLES	
37	4100.810	PIPE CLAMP	
38	4033.219	MOTOR	Alternative code: 4033.312
39	4111.081	COUPLING	
40	4111.042	PUMP	
41	4033.187	FLEXIBLE OIL PIPE	
42	4032.906	FITTING	
43	4032.342	SOLENOID SPOOL CORD	
44	4032.835	MOTOR BRACKET	
45	4032.947	CABLE PROTECTION	
46	4033.269	OIL PIPE FILTER-PUMP	
47	4033.268	OIL PIPE TANK-TANK FILTER	
48	4260.107	FUEL FILTER	
49	4110.355	OIL SUCTION LINE	
50	4260.099	FUEL GAUGE	
51	4033.038	OIL DISCHARGE LINE	
52	4100.541	RUBBER BUSHING	
53	4110.032	OIL DISCHARGE PIPE	

ESP00123

MODEL B180 E

UNIT 4

PARTS LIST

Pos.	Code NR	Description	Rev. D - May 2013
54	4033.017	IGNITION CONTROL	
55	4032.771	POWER LINE RFI FILTER	
56	4033.301	FUSE HOLDER	
57	4032.850	FUSE	
58	4160.639	POP RIVET TERMINAL 4 WAY	
59	4160.647	THERMOSTAT SOCKET 90°	
60	4161.400	CONNECTION PLUG	
61	4162.467	THERMOSTAT CAP	
62	4033.292	ELECTRICAL COMPONENTS BASE	
63	4100.656	NUT	
64	4150.528	STRAIN RELIEF	
65	4033.251	BOARD BUTTON CAP	
66	4165.204	SWITCH	
67	4033.272	ELECTRICAL PANEL	
	4033.273	ADHESIVE	
68	4033.274	PANEL GASKET	

RECOMMENDED SPARE PARTS

POS.	Code NR	Description	Rev. D - May 2013
21	4032.883	LIMIT THERMOSTAT	
27	4100.809	NOZZLE	
32	4033.123	BIFILAR ELECTRODE	
35	4033.022	PHOTOCELL	
36	4031.048	HIGH TENSION CABLES	
38	4033.219	MOTOR	Alternative code: 4033.312
39	4111.081	COUPLING	
40	4111.042	PUMP	
43	4032.342	SOLENOID SPOOL CORD	
48	4260.107	FUEL FILTER	
54	4033.017	IGNITION CONTROL	
55	4032.771	POWER LINE RFI FILTER	
57	4032.850	FUSE	
59	4160.647	THERMOSTAT SOCKET 90°	
61	4162.467	THERMOSTAT CAP	

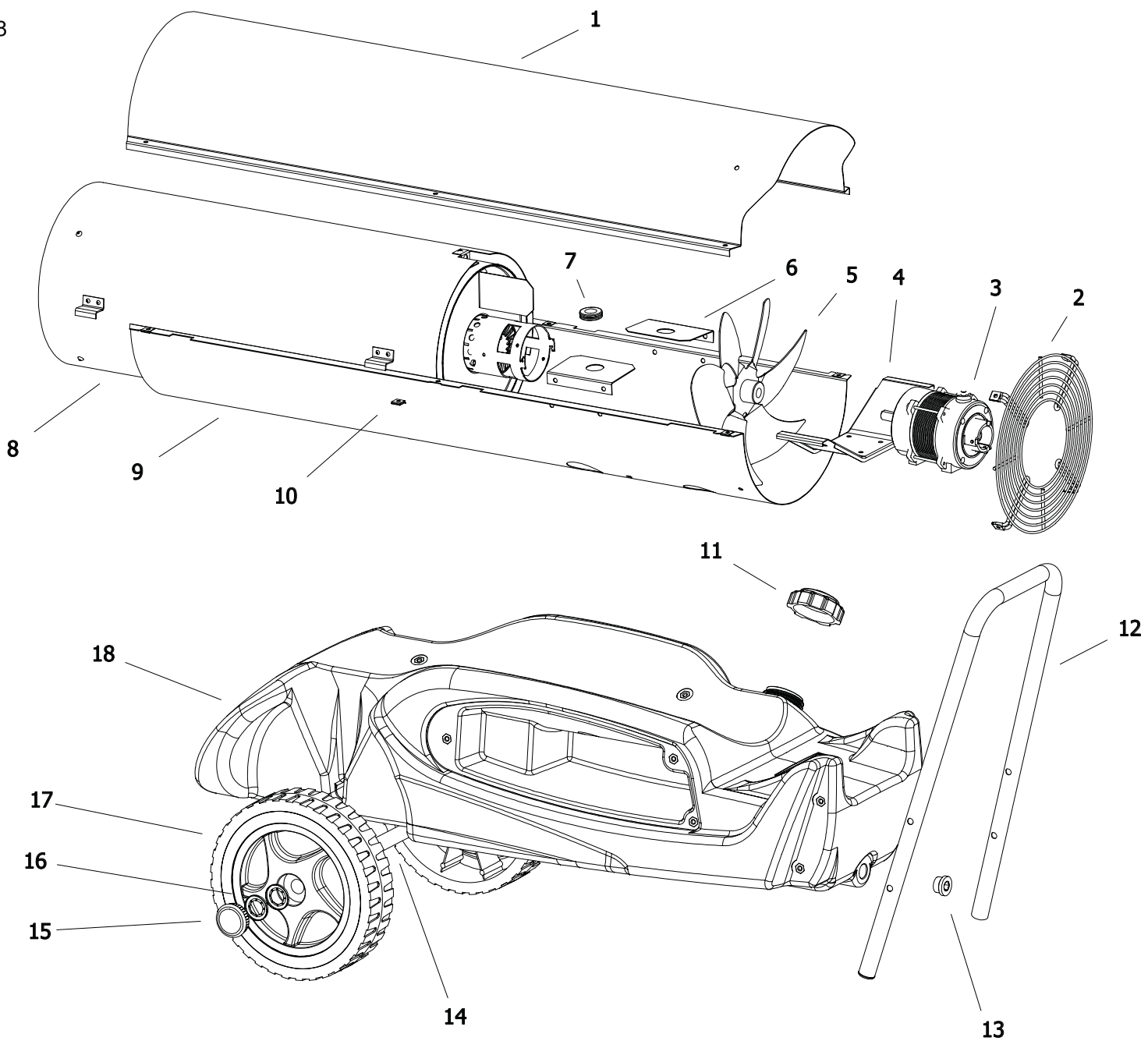
MODEL B180 E

UNIT 1

ILLUSTRATED PARTS BREAKDOWN

From Serial Number : 32800180
Until Serial Number : 0423300448

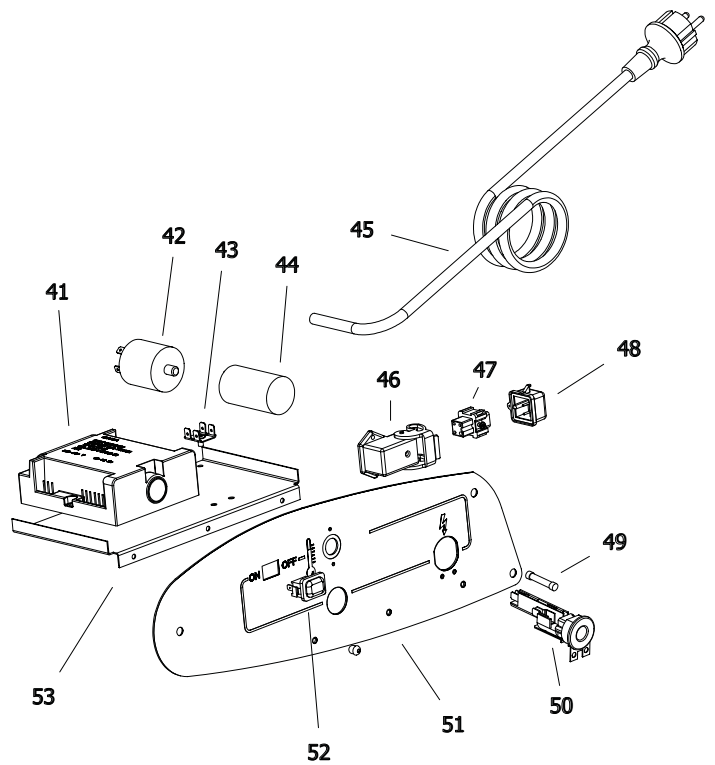
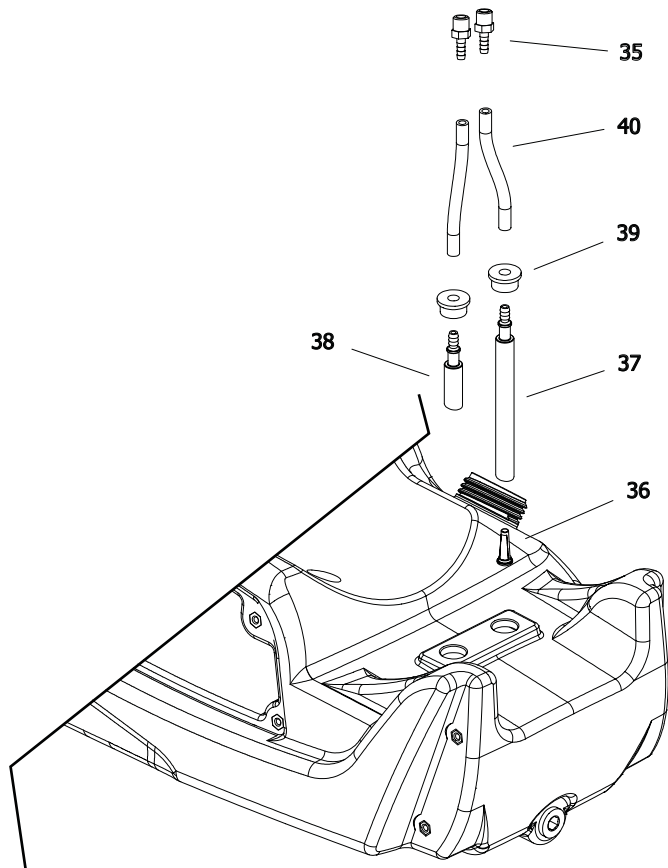
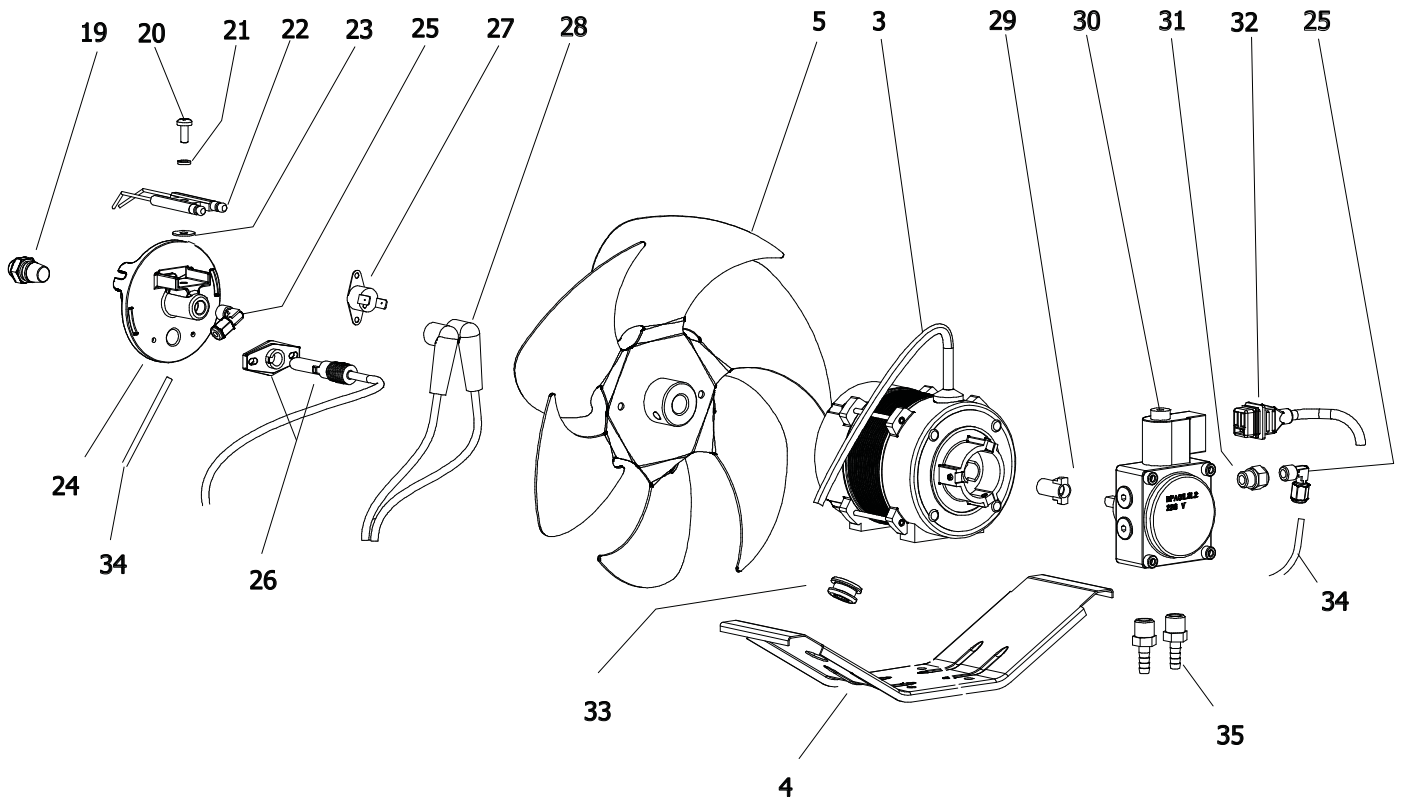
Rev. C - Nov. 2012



MODEL B180 E

UNIT 2

ILLUSTRATED PARTS BREAKDOWN



MODEL B180 E

UNIT 3

PARTS LIST

Pos.	Code NR	Description	Rev. C - Nov. 2012
1	4033.016	UPPER SHELL	
2	4032.836	GRID	
3	4032.815	MOTOR	
4	4032.835	MOTOR BRACKET	
5	4032.814	FAN	
6	4033.028	AIR FLAP	
7	4160.646	CABLE PROTECTION	
8	4033.132	COMBUSTION CHAMBER	
9	4033.015	LOWER SHELL	
10	4104.170	CLIP NUT	
11	4032.846	FUEL TANK CAP	
12	4032.386	HANDLES	
13	4032.813	DRAIN PLUG	
14	4032.389	AXLE	
15	4111.480	WHEEL PLUG	
16	4111.072	WHEEL HOLDER	
17	4032.094	WHEEL	
18	4033.037	TANK	
19	4031.163	NOZZLE	
20	4160.601	SCREW	
21	4110.393	WASHER	
22	4032.396	BIFILAR ELECTRODE	
23	4110.394	WASHER	
24	4033.042	BURNER FLANGE	
25	4033.198	ELBOW	
26	4033.022	PHOTOCELL	
27	4032.883	LIMIT THERMOSTAT	
28	4031.048	HT CABLE	
29	4111.081	COUPLING	
30	4032.789	PUMP	
31	4161.501	NIPPLES	
32	4032.905	POWER CORD SOLENOID SPOOL	
33	4032.947	CABLE PROTECTION	
34	4033.187	OIL SUPPLY PIPE	
35	4032.906	FITTING 1/4"	
36	4110.356	FUEL FILTER	
37	4110.355	FUEL LINE TANK-PUMP	
38	4033.038	FUEL PIPE PUMP-TANK	
39	4100.541	RUBBER BUSHING	
40	4110.032	FUEL LINE	
41	4033.017	IGNITION CONTROL ASSEMBLY	
42	4032.771	POWER LINE RFI FILTER	
43	4160.639	POP RIVET WITH TERMIN. 4 WAY	
44	4032.816	CAPACITOR 6,3 μ f	
45	4111.153	POWER CORD	
46	4160.647	PLATE PLUG	
47	4161.400	CONNECTION SOCKET	
48	4162.467	THERMOSTAT PLUG	
49	4032.850	FUSE (6,3X32) 3,15A	
50	4111.038	STRAIN RELIEF	
51	4032.823	ELECTR. COMPONENTS PANEL	
52	4100.667	ON/OFF SWITCH	
53	4032.897	ELECTR. COMPONENTS BASE	

ESP00123

MODEL B180 E

UNIT 4

RECOMMENDED SPARE PARTS

Pos.	Code NR	Description	<i>Rev. C - Nov. 2012</i>
3	4032.815	MOTOR	
22	4032.396	BIFILAR ELECTRODE	
26	4033.022	PHOTOCELL	
27	4032.883	LIMIT THERMOSTAT	
28	4031.048	HT CABLE	
29	4111.081	COUPLING	
30	4032.789	PUMP	
32	4032.905	POWER CORD SOLENOID SPOOL	
36	4110.356	FUEL FILTER	
42	4032.771	POWER LINE RFI FILTER	
41	4033.017	IGNITION CONTROL ASSEMBLY	
44	4032.816	CAPACITOR 6,3 μ f	
46	4160.647	PLATE PLUG	
48	4162.467	THERMOSTAT PLUG	
49	4032.850	FUSE (6,3X32) 3,15A	

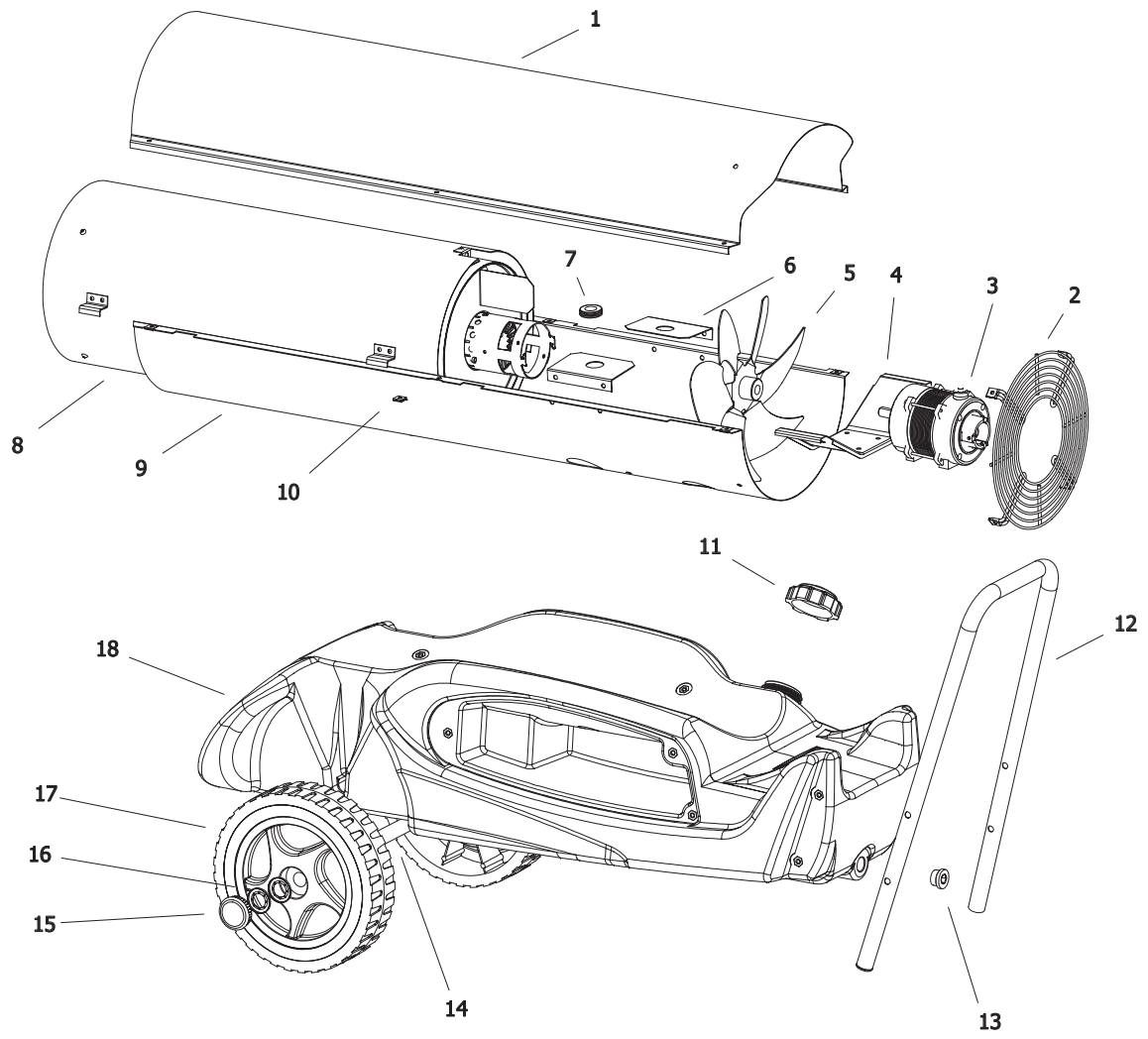
MODEL B180 E

UNIT 1

ILLUSTRATED PARTS BREAKDOWN

From Serial Number : 30803707
Untill Serial Number : 32800179

Rev. B - May 2011



MODEL B180 E

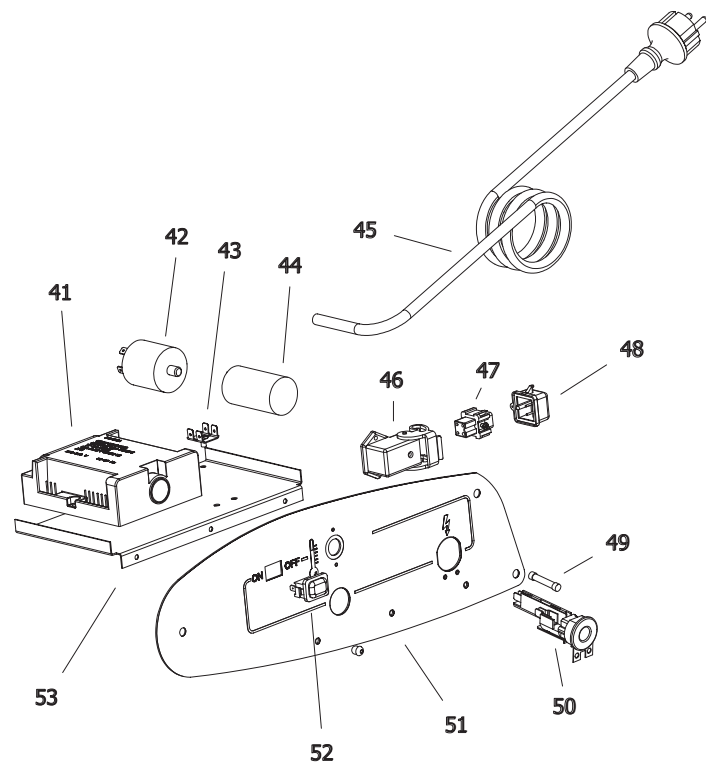
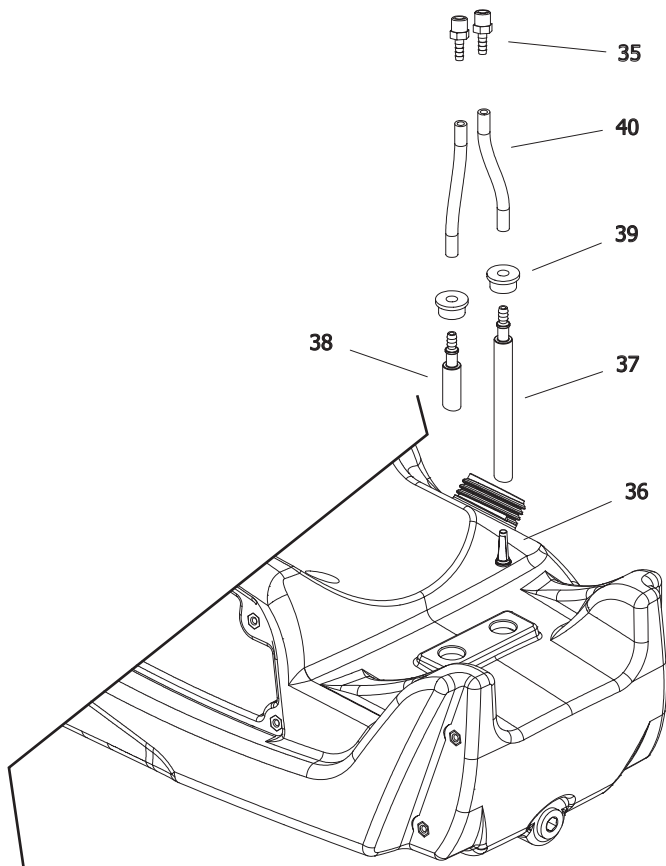
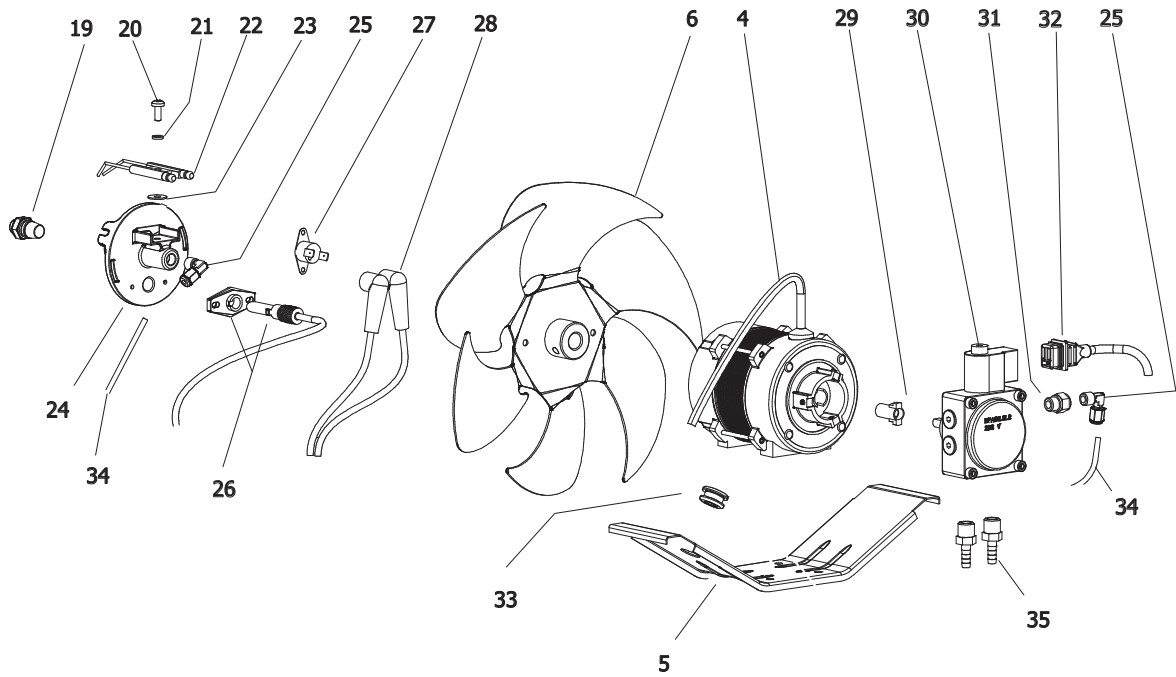
UNIT 2

ILLUSTRATED PARTS BREAKDOWN

From Serial Number: 30803707

Rev. B - May 2011

Untill Serial Number: 32800179



MODEL B180 E

UNIT 3

PARTS LIST

Pos.	Code NR	Description	Rev. B - May 2011
1	4033.016	UPPER SHELL	
2	4032.836	GRID	
3	4032.815	MOTOR	
4	4032.835	MOTOR BRACKET	
5	4032.814	FAN	
6	4033.028	AIR FLAP	
7	4160.646	CABLE PROTECTION	
8	4033.132	COMBUSTION CHAMBER	
9	4033.015	LOWER SHELL	
10	4104.170	CLIP NUT	
11	4032.846	FUEL TANK CAP	
12	4032.386	HANDLES	
13	4032.813	DRAIN PLUG	
14	4032.389	AXLE	
15	4111.480	WHEEL PLUG	
16	4111.072	WHEEL HOLDER	
17	4032.094	WHEEL	
18	4033.037	TANK	
19	4031.163	NOZZLE	
20	4160.601	SCREW	
21	4110.393	WASHER	
22	4032.396	BIFILAR ELECTRODE	
23	4110.394	WASHER	
24	4033.042	BURNER FLANGE	
25	4161.140	ELBOW	
26	4033.022	PHOTOCELL	
27	4032.883	LIMIT THERMOSTAT	
28	4031.048	HT CABLE	
29	4111.081	COUPLING	
30	4032.789	PUMP	
31	4161.501	NIPPLES	
32	4032.905	POWER CORD SOLENOID SPOOL	
33	4032.947	CABLE PROTECTION	
34	4032.854	OIL SUPPLY PIPE	
35	4032.906	FITTING 1/4"	
36	4110.356	FUEL FILTER	
37	4110.355	FUEL LINE TANK-PUMP	
38	4033.038	FUEL PIPE PUMP-TANK	
39	4100.541	RUBBER BUSHING	
40	4110.032	FUEL LINE	
41	4033.017	IGNITION CONTROL ASSEMBLY	
42	4032.771	POWER LINE RFI FILTER	
43	4160.639	POP RIVET WITH TERMIN. 4 WAY	
44	4032.816	CAPACITOR 6,3 μ f	
45	4111.153	POWER CORD	
46	4160.647	PLATE PLUG	
47	4161.400	CONNECTION SOCKET	
48	4162.467	THERMOSTAT PLUG	
49	4032.850	FUSE (6,3X32) 15A	
50	4111.038	STRAIN RELIEF	
51	4032.823	ELECTR. COMPONENTS PANEL	
52	4100.667	ON/OFF SWITCH	
53	4032.897	ELECTR. COMPONENTS BASE	

ESP00123

MODEL B180 E

UNIT 4

RECOMMENDED SPARE PARTS

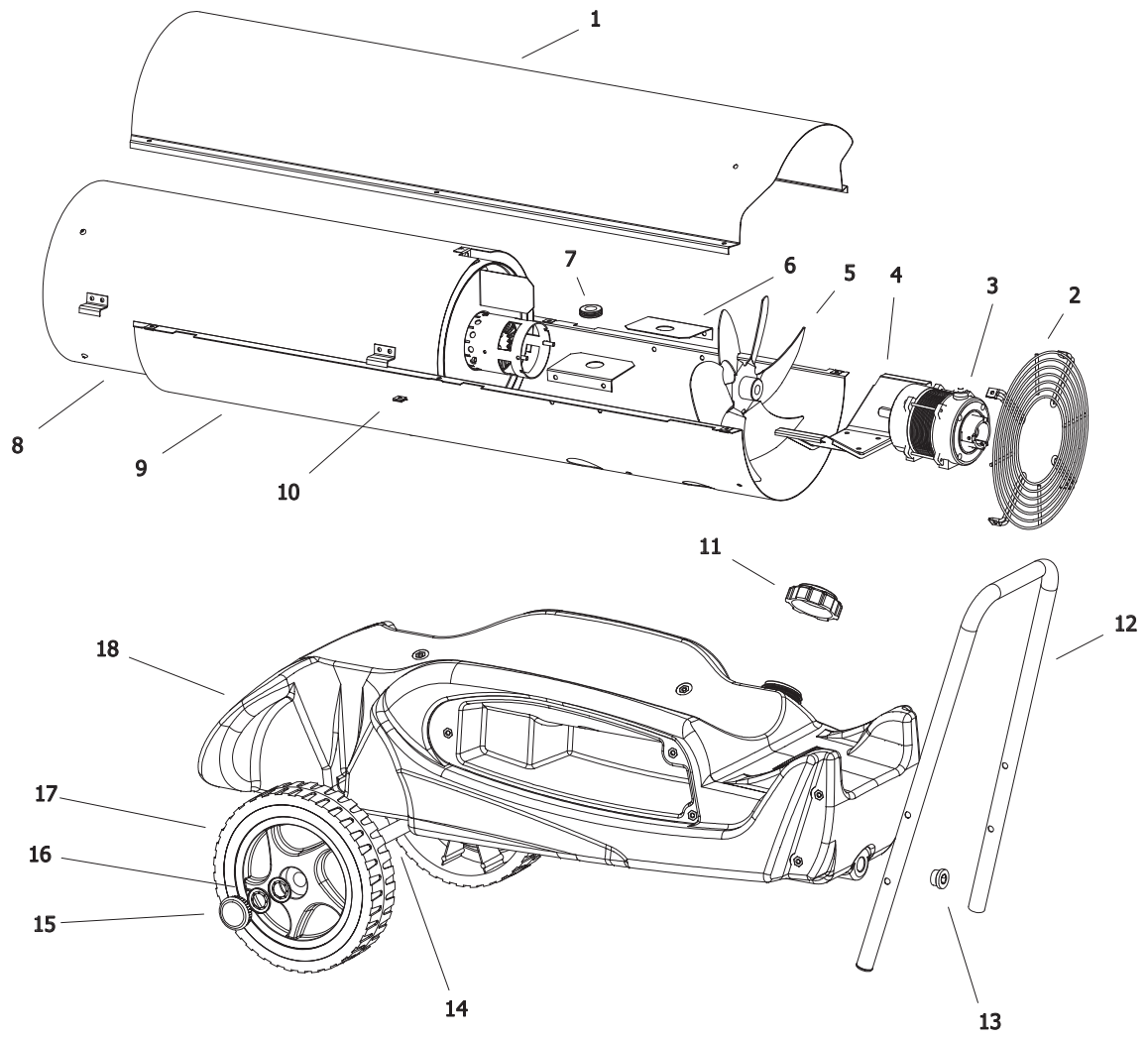
Pos.	Code NR	Description	<i>Rev. B - May 2011</i>
3	4032.815	MOTOR	
22	4032.396	BIFILAR ELECTRODE	
26	4033.022	PHOTOCELL	
27	4032.883	LIMIT THERMOSTAT	
28	4031.048	HT CABLE	
29	4111.081	COUPLING	
30	4032.789	PUMP	
32	4032.905	POWER CORD SOLENOID SPOOL	
36	4110.356	FUEL FILTER	
42	4032.771	POWER LINE RFI FILTER	
41	4033.017	IGNITION CONTROL ASSEMBLY	
44	4032.816	CAPACITOR 6,3 μ f	
46	4160.647	PLATE PLUG	
48	4162.467	THERMOSTAT PLUG	
49	4032.850	FUSE (6,3X32) 15A	

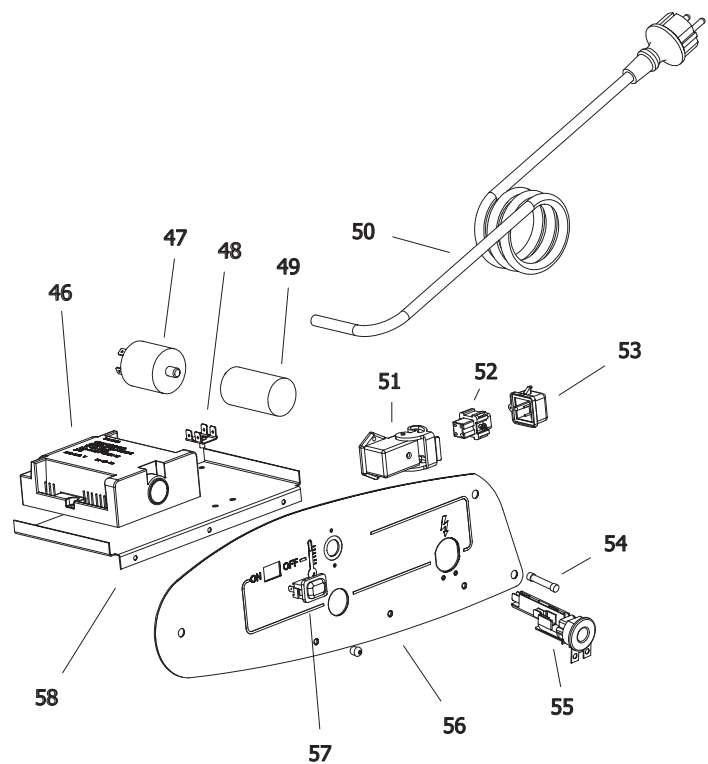
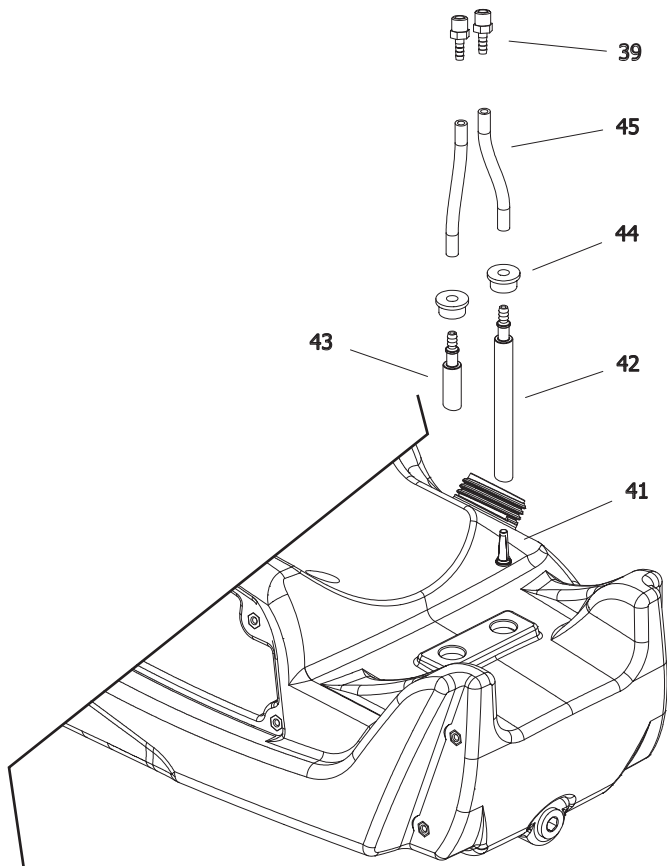
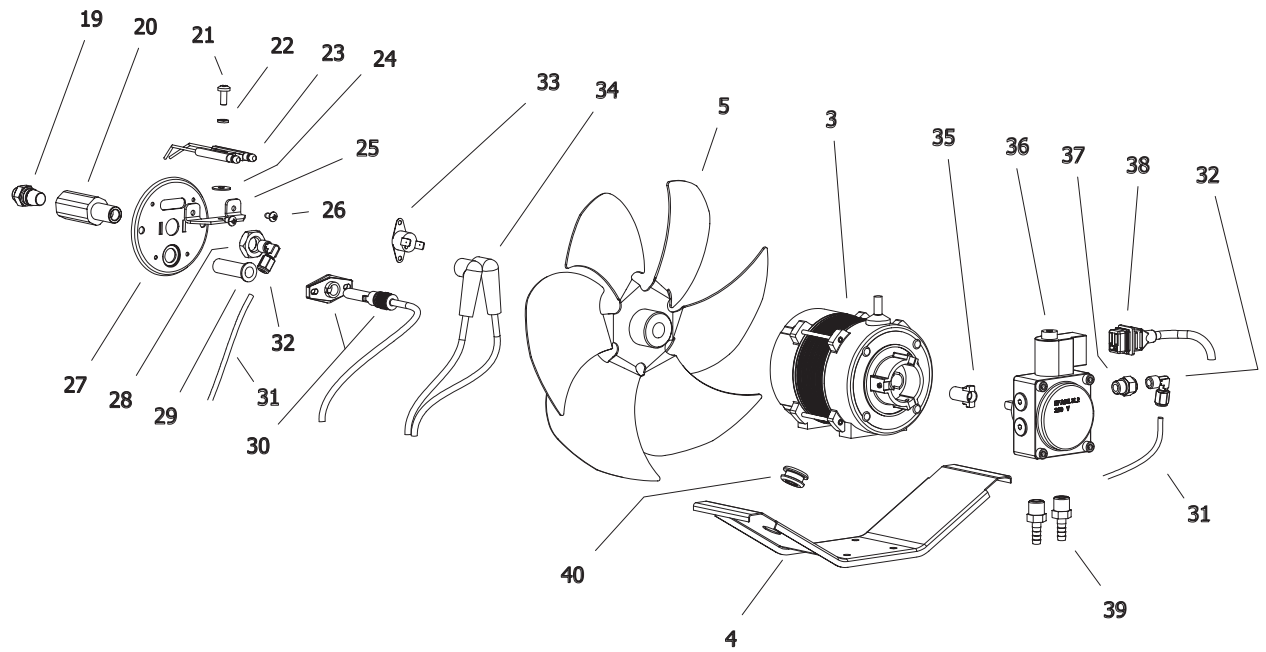
MODEL B180 E

UNIT 1

ILLUSTRATED PARTS BREAKDOWN

Edizione 2010
Rev. A





OIL HEATER B180 E

Pos.	Code NR	Description
1	S/R	UPPER SHELL
2	4032.836	GRID
3	4032.815	MOTOR
4	4032.835	MOTOR BRACKET
5	4032.814	FAN
6	4033.028	AIR FLAP
7	4160.646	CABLE PROTECTION
8	4032.993	COMBUSTION CHAMBER
9	S/R	LOWER SHELL
10	4104.170	CLIP NUT
11	4032.846	FUEL TANK CAP
12	4032.386	HANDLES
13	4032.813	DRAIN PLUG
14	4032.389	AXLE
15	4111.480	WHEEL PLUG
16	4111.072	WHEEL HOLDER
17	4032.094	WHEEL
18	4033.037	TANK
19	4031.163	NOZZLE
20	4032.786	NOZZLE SUPPORT
21	4160.601	SCREW
22	4110.393	WASHER
23	4032.396	BIFILAR ELECTRODE
24	4110.394	WASHER
25	4032.398	ELECTRODE BRACKET
26	4161.434	SCREW 4,2X9,5
27	4032.397	BURNER FLANGE
28	4032.407	NUT M14X6
29	4032.406	PHOTOCELL SUPPORT
30	4033.022	PHOTOCELL
31	4032.854	OIL SUPPLY PIPE
32	4161.140	ELBOW
33	4032.883	LIMIT THERMOSTAT
34	4031.048	HT CABLE
35	4111.081	COUPLING
36	4032.789	PUMP
37	4161.501	NIPPLES
38	4032.905	POWER CORD SOLENOID SPOOL
39	4032.906	FITTING 1/4"
40	4032.947	CABLE PROTECTION
41	4110.356	FUEL FILTER
42	4110.355	FUEL LINE TANK-PUMP
43	4033.038	FUEL PIPE PUMP-TANK
44	4100.541	RUBBER BUSHING
45	4110.032	FUEL LINE
46	4033.017	IGNITION CONTROL ASSEMBLY
47	4032.771	POWER LINE RFI FILTER
48	4160.639	POP RIVET WITH TERMIN. 4 WAY
49	4032.816	CAPACITOR 6,3 μ f
50	4111.153	POWER CORD
51	4160.647	PLATE PLUG
52	4161.400	CONNECTION SOCKET
53	4162.467	THERMOSTAT PLUG
54	4032.850	FUSE (6,3X32) 15A
55	4111.038	STRAIN RELIEF
56	4032.823	ELECTR. COMPONENTS PANEL
57	4100.667	ON/OFF SWITCH
58	4032.897	ELECTR. COMPONENTS BASE

S/R - Parts available by special request only