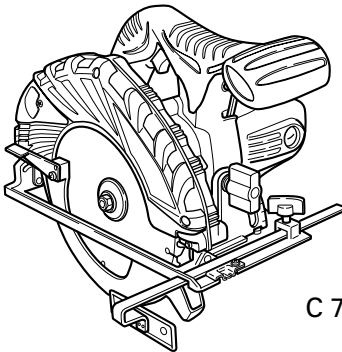


HITACHI

Circular Saw
Kreissäge
Δισκοπριονο
Pilarka tarczowa
Körfűrész
Kotoučová pila
Daire testere
Циркулярная пила

C 6U2 · C 6BU2 · C 7U2 · C 7BU2



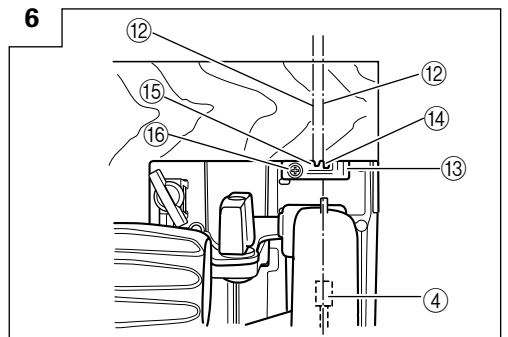
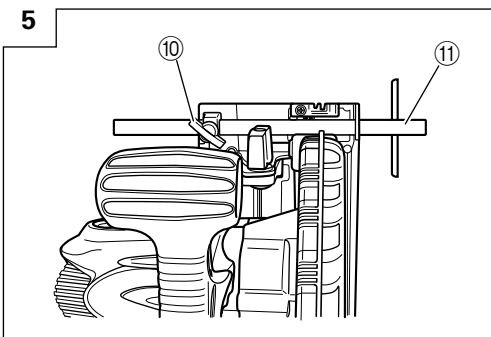
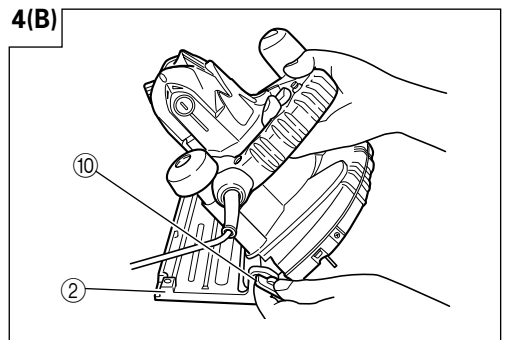
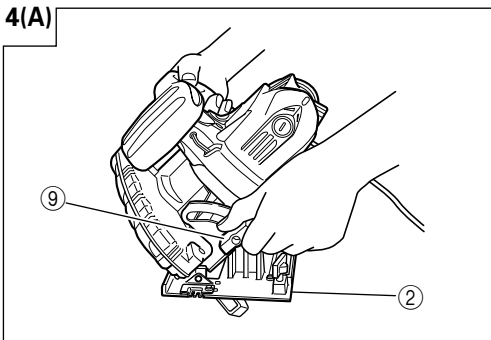
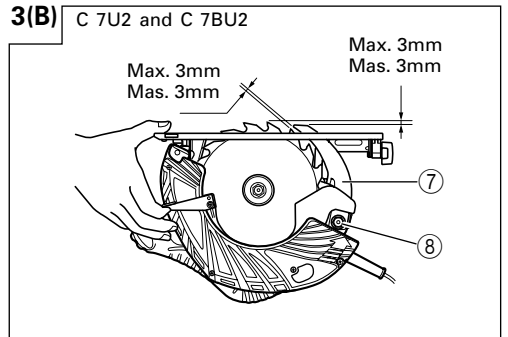
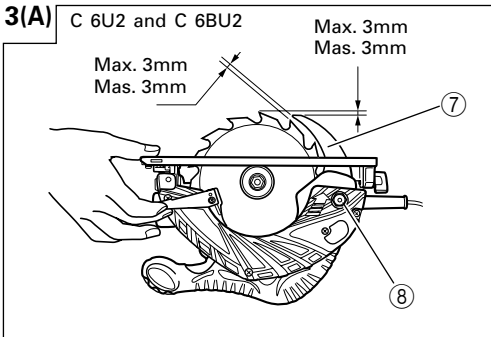
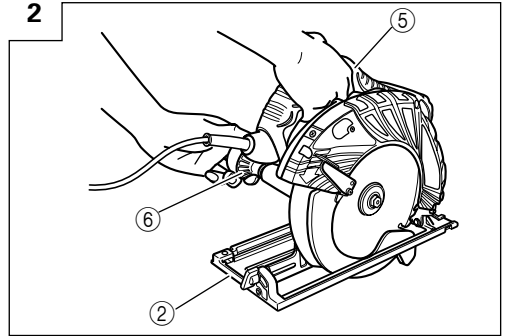
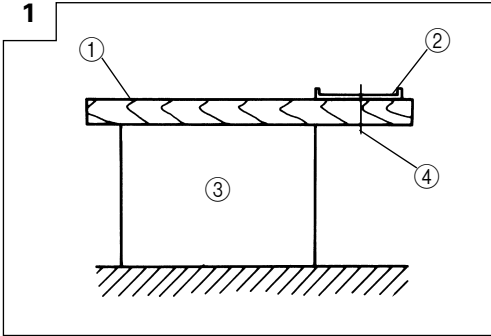
C 7U2

Read through carefully and understand these instructions before use.
Diese Anleitung vor Benutzung des Werkzeugs sorgfältig durchlesen und verstehen.
Διαβάστε προσεκτικά και κατανοήστε αυτές τις οδηγίες πριν τη χρήση.
Przed użytkowaniem należy dokładnie przeczytać niniejszą instrukcję i zrozumieć jej treść.
Használat előtt olvassa el figyelmesen a használati utasítást.
Před použitím si pečlivě přečtete tento návod a ujistěte se, že mu dobře rozumíte.
Aleti kullanmadan önce bu kılavuza iyice okuyun ve talimatları anlayın.
Внимательно прочтите данную инструкцию по эксплуатации прежде чем пользоваться инструментом.

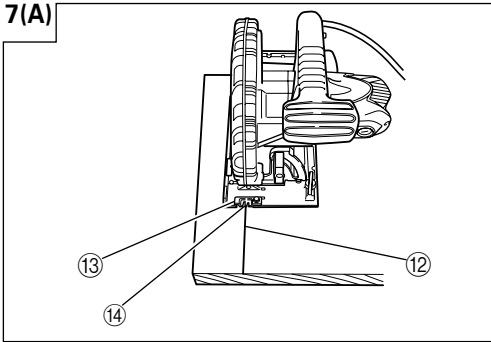


Handling instructions
Bedienungsanleitung
Οδηγίες χειρισμού
Instrukcja obsługi
Kezelési utasítás
Návod k obsluze
Kullanım talimatları
Инструкция по эксплуатации

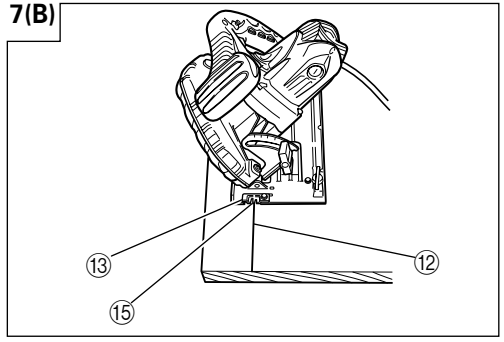
Hitachi Koki



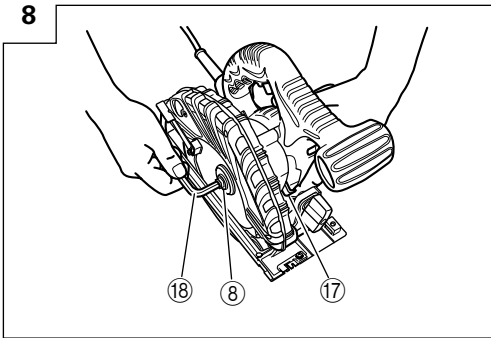
7(A)



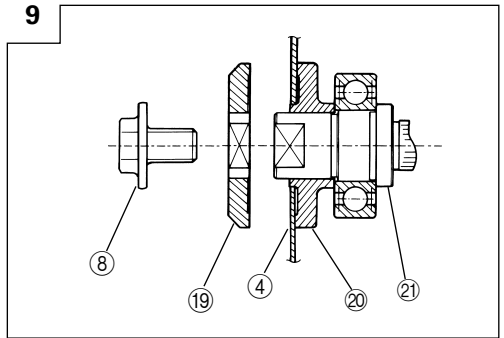
7(B)



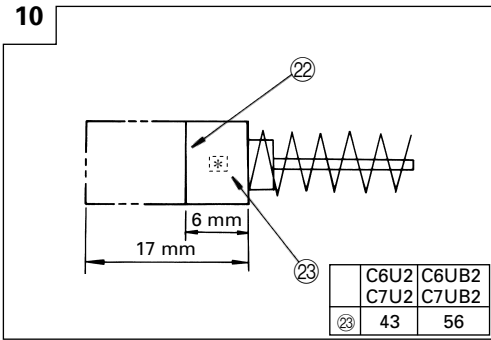
8



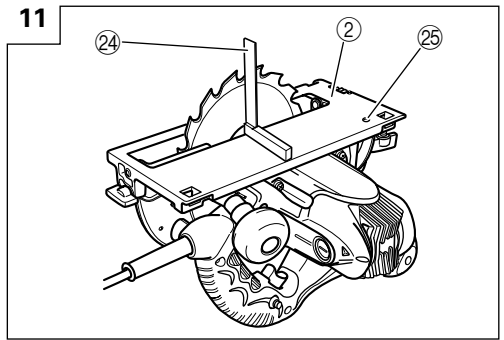
9



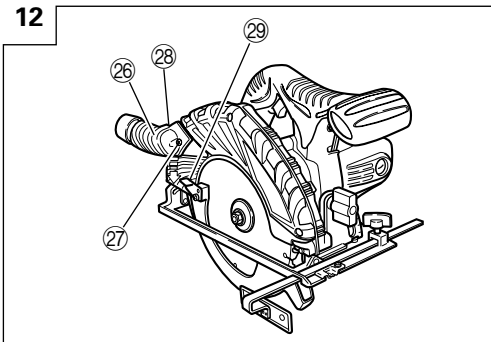
10



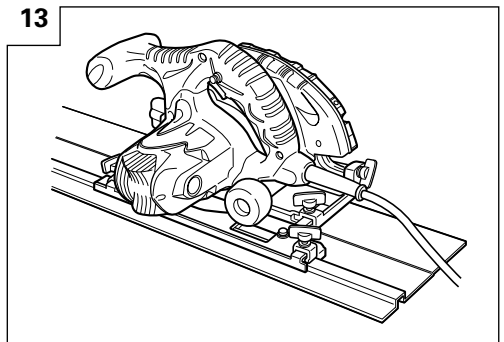
11



12











13



	English	Deutsch	Ελληνικά	Polski
①	Lumber	Schnittholz	Ξυλεία	Drewno
②	Base	Grundplatte	Βάση	Podstawa
③	Workbench	Werkbank	Πάγκος εργασίας	Stół roboczy
④	Saw blade	Sägeblatt	Πριονωτή λεπίδα	Ostrze piły
⑤	Handle	Handgriff	Λαβή	Uchwyt
⑥	Knob	Stellknopf	Κουμπί	Pokrętło
⑦	Riving knife	Spaltkeil	Διαχωριστικό μαχαίρι	Klin rozszczepiający
⑧	Hexagonal-socket bolt	Sechskantschraube	Εξάγωνο μπουλόνι	Śruba sześciokątna
⑨	Wing-nut	Flügelschraube	Φτερωτό παξιμάδι	Nakrętka skrzydełkowa
⑩	Wing-bolt	Fügelschraube	Φτερωτό μπουλόνι	Śruba skrzydełkowa
⑪	Guide	Führung	Οδηγός	Prowadnica
⑫	Premarked line	Versetzt-Markierung	Προσημειωμένη γραμμή	Oznakowanie
⑬	Guide piece	Führungsstück	Οδηγητικό κομμάτι	Element prowadzący
⑭	Front scale when not inclined	Frontskala wenn nicht geneigt	Μπροστινή κλίμακα όταν δεν βρίσκεται σε κλίση	Podziałka przednia bez nachylenia
⑮	Front scale at 45° incline	Frontskala bei 45° -Neigung	Μπροστινή κλίμακα με κλίση 45°	Podziałka przednia ze 45-stopniowym nachleniem
⑯	M4 Screw	M4 Schraube	M4 Βίδα	Śruba M4
⑰	Lock lever	Sperrhebel	Μοχλός κλειδώματος	Dźwignia blokady
⑱	Hex. bar wrench	Sechskantschlüssel	Εξάγωνο κλειδί, άλεν	Klucz sześciokątny
⑲	Washer (B)	Unterlegscheibe (B)	Ροδέλα (B)	Podkładka (B)
⑳	Washer (A)	Unterlegscheibe (A)	Ροδέλα (A)	Podkładka (A)
㉑	Spindle	Achse	Άξονας	Wrzeciono
㉒	Wear limit	Verschleißgrenze	Όριο φθοράς	Granica zużycia
㉓	No. of carbon brush	Nr. der Kohlebürste	Αρ. Καρβουνακιού	Numer szczotki węglowej
㉔	Square	Winkel	Γνώμονας	Kątownik
㉕	Slotted set screw	Schaftschraube	Βίδα με εγκοπή	Szczelinowa śruba mocująca
㉖	Dust collector	Staubsauger	Συλλογέας σκόνης	Odpylacz
㉗	M5 Screw	M5-Schraube	Βίδα M5	Śruba M5
㉘	M4 Screw	M4-Schraube	Βίδα M4	Śruba M4
㉙	Lever (short type)	Hebel (kurz)	Μοχλός (κοντός)	Dźwignia (krótka)

	Magyar	Čeština	Türkçe	Русский
①	Faanyag	Dřevěné prkno	Kereste	Пиломатериал
②	Alap	Základová deska	Taban/Alt kısım	Основание
③	Munkasztal	Pracovní stůl	Çalışma tezgahı	Верстак
④	Fűrészlap	Pilový kotouč	Testere bıçağı	Режущий диск
⑤	Fogantyú	Rukojeť	Sap	Рукоятка
⑥	Gomb	Otočná rukojeť	Tokmak düğmesi	Ручка
⑦	Hasítókés	Štipací nůž	Yarma bıçağı	Расклинивающий нож
⑧	Imbuszcsavar	Šroub s vnitřním šestihranem	Altıgen başlı civata	Болт с шестигранным углублением
⑨	Szárnyasanya	Křídlová matice	Kelebek somun	Барашковая гайка
⑩	Szárnyascsvavar	Křídlový šroub	Kelebek civata	Барашковый болт
⑪	Vezetőelem	Vedení	Kılavuz	Направляющая
⑫	Előre megjelölt	Předznačený	Önceden işaretli	Заранее маркированный
⑬	Vezető darab	Vodící segment	Kılavuz parçası	Направляющая деталь
⑭	Elülső skála megdöntés nélkül	Přední stupnice neskloněná	Eğimsiz ön ölçek	Передняя шкала без наклона
⑮	Elülső skála 45°-os dőlésszöggnél	Přední stupnice skloněná v úhlu 45°	45° eğimde ön ölçek	Передняя шкала при наклоне 45°
⑯	M4 csavar	Šroub M4	M4 Vida	Винт M4
⑰	Rögzítőkar	Pojistná páka	Kilit kolu	Рычаг блокировки
⑱	Imbuszkulcs	Klíč na vnitřní šestihrany	Alyan anahtarı	Гаечный ключ в виде шестигранного стержня
⑲	Alátét (B)	Podložka (B)	Pul (B)	Шайба (B)
⑳	Alátét (A)	Podložka (A)	Pul (A)	Шайба (A)
㉑	Orsó	Vřeteno	Mil	Шпindelъ
㉒	Kopási határ	Mez opotřebení	Yıpranma limiti	Предел износа
㉓	Szénkefék sz.	Č. uhlíkového kartáčku	Kömür fırça sayısı	π угольной щетки
㉔	Négyzet	Čtyřhranný tvar	Kare	Квадрат
㉕	Hasított hernyócsavar	Závitový šroub s drážkou v hlavě	Düz başlı vida	Установочный винт с продольными шлицами
㉖	Porgyűjtő	Sběrač prachu	Toz toplayıcı	Пылеуловитель
㉗	M5 csavar	Šroub M5	M5 Vida	Винт M5
㉘	M4 csavar	Šroub M4	M4 Vida	Винт M4
㉙	Kar (rövid típusú)	Páka (krátký typ)	Kol (kısa tip)	Рычаг (короткого типа)

	Symbols ⚠ WARNING The following show symbols used for the machine. Be sure that you understand their meaning before use.	Symbole ⚠ WARNUNG Die folgenden Symbole werden für diese Maschine verwendet. Achten Sie darauf, diese vor der Verwendung zu verstehen.	Σύμβολα ⚠ ΠΡΟΣΟΧΗ Τα παρακάτω δείχνουν τα σύμβολα που χρησιμοποιούνται στο μηχάνημα. Βεβαιωθείτε ότι κατανοείτε τη σημασία τους πριν τη χρήση.	Symbole ⚠ OSTRZEŻENIE Następujące oznaczenia to symbole używane w instrukcji obsługi maszyny. Upewnij się, że rozumiesz ich znaczenie zanim użyjesz narzędzia.
	Read all safety warnings and all instructions. Failure to follow the warnings and instructions may result in electric shock, fire and/or serious injury.	Lesen Sie sämtliche Sicherheitshinweise und Anweisungen durch. Wenn die Warnungen und Anweisungen nicht befolgt werden, kann es zu Stromschlag, Brand und/oder ernsthaften Verletzungen kommen.	Διαβάστε όλες τις προειδοποιήσεις ασφαλείας και όλες τις οδηγίες. Η μη τήρηση των προειδοποιήσεων και οδηγιών μπορεί να προκαλέσει ηλεκτροπληξία, πυρκαγιά και/ή σοβαρό τραυματισμό.	Należy dokładnie zapoznać się ze wszystkimi ostrzeżeniami i wskazówkami bezpieczeństwa. Nieprzestrzeganie ostrzeżeń oraz wskazań bezpieczeństwa może spowodować porażenie prądem elektrycznym, pożar i/lub odniesienie poważnych obrażeń.
	Always wear eye protection.	Tragen Sie immer einen Augenschutz.	Φοράτε πάντα τον κατάλληλο εξοπλισμό για την προστασία των ματιών.	Zawsze nosić okulary ochronne.
	Always wear hearing protection.	Stets Gehörschutz tragen.	Φοράτε πάντα προστατευτικά ακοής.	Zawsze nosić słuchawki ochronne.
	Only for EU countries Do not dispose of electric tools together with household waste material! In observance of European Directive 2002/96/EC on waste electrical and electronic equipment and its implementation in accordance with national law, electric tools that have reached the end of their life must be collected separately and returned to an environmentally compatible recycling facility.	Nur für EU-Länder Werfen Sie Elektrowerkzeuge nicht in den Hausmüll! Gemäss Europäischer Richtlinie 2002/96/EG über Elektro- und Elektronik- Altgeräte und Umsetzung in nationales Recht müssen verbrauchte Elektrowerkzeuge getrennt gesammelt und einer umweltgerechten Wiederverwertung zugeführt werden.	Μόνο για τις χώρες της ΕΕ Μην πετάτε τα ηλεκτρικά εργαλεία στον κάδο οικιακών απορριμμάτων! Σύμφωνα με την ευρωπαϊκή οδηγία 2002/96/ΕΚ περί ηλεκτρικών και ηλεκτρονικών συσκευών και την ενσωμάτωση της στο εθνικό δίκαιο, τα ηλεκτρικά εργαλεία πρέπει να συλλέγονται ξεχωριστά και να επιστρέφονται για ανακύκλωση με τρόπο φιλικό προς το περιβάλλον.	Dotyczy tylko państw UE Nie wyrzucaj elektronarzędzi wraz z odpadami z gospodarstwa domowego! Zgodnie z Europejską Dyrektywą 2002/96/WE w sprawie zużytego sprzętu elektrotechnicznego i elektronicznego oraz dostosowaniem jej do prawa krajowego, zużyte elektronarzędzia należy posegregować i zutylizować w sposób przyjazny dla środowiska.
	Jelölések ⚠ FIGYELEM Az alábbiakban a géphez alkalmazott jelölések vannak felsorolva. A gép használatá előtt feltétlenül ismerje meg ezeket a jelöléseket.	Symbole ⚠ UPOZORNĚNÍ Následující text obsahuje symboly, které jsou použity na zařízení. Ujistěte se, že rozumíte jejich obsahu před tím, než začnete zařízení používat.	Simgeler ⚠ ΔΙΚΑΤ Aşağıda, bu alet için kullanılan simgeler gösterilmiştir. Aleti kullanmadan önce bu simgelerin ne anlama geldiğini anladığınızdan emin olun.	Символы ⚠ ПРЕДУПРЕЖДЕНИЕ Ниже приведены символы, используемые для машины. Перед началом работы обязательно убедитесь в том, что Вы понимаете их значение.
	Olvasson el minden biztonsági figyelmeztetést és minden utasítást. A figyelmeztetések és utasítások be nem tartása áramütést, tüzet és/vagy súlyos sérülést eredményezhet.	Přečtěte si všechna varování týkající se bezpečnosti a všechny pokyny. Nedodržení těchto varování a pokynů může mít za následek elektrický šok, požár a/nebo vážné zranění.	Tüm güvenlik uyarılarını ve tüm talimatları okuyun. Uyarıları ve talimatları uymaması elektrik çarpmasına, yangına ve/veya ciddi yaralanmaya neden olabilir.	Прочтите все правила безопасности и инструкции. Не выполнение правил и инструкций может привести к поражению электрическим током, пожару и/или серьезной травме.
	Mindig viseljen védőszemüveget.	Vždy noste ochranu očí.	Daima koruyucu gözlük takın.	Всегда надевайте средства защиты глаз.
	Mindig viseljen a hallást védő védőfelszerelést.	Vždy používejte chrániče sluchu.	Daima koruyucu kulaklık takın.	Всегда надевайте средства защиты органов слуха.
	Csak EU-országok számára Az elektromos kéziszerszámokat ne dobja a háztartási szemétkébe! A használt villamos és elektronikai készülékekről szóló 2002/96/EK irányelv és annak a nemzeti jogba való átültetése szerint az elhasznált elektromos kéziszerszámokat külön kell gyűjteni, és környezetbarát módon újra kell hasznosítani.	Jen pro státy EU Elektrické nářadí nevyhazujte do komunálního odpadu! Podle evropské směrnice 2002/96/EG o nakládání s použitými elektrickými a elektronickými zařízeními a odpovídajících ustanovení právních předpisů jednotlivých zemí se použité elektrické nářadí musí sbírat odděleně od ostatního odpadu a podrobit ekologicky šetrnému recyklování.	Sadece AB ülkeleri için Elektrikli el aletlerini evdeki çöp kutusuna atmayınız! Kullanılmış elektrikli aletleri, elektrik ve elektronik eski cihazlar hakkındaki 2002/96/EC Avrupa yönetmeliğine göre ve bu yönetmelik ulusal hukuk kurallarına göre uyarılarına, ayrı olarak toplamanı ve çevre şartlarına uygun bir şekilde tekrar değerlendirilme gönderilmedir.	Только для стран ЕС Не выкидывайте электроприборы вместе с обычным мусором! В соответствии с европейской директивой 2002/96/EG об утилизации старых электрических и электронных приборов и в соответствии с местными законами электроприборы, бывшие в эксплуатации, должны утилизироваться отдельно безопасным для окружающей среды способом.

GENERAL POWER TOOL SAFETY WARNINGS

WARNING

Read all safety warnings and all instructions.

Failure to follow the warnings and instructions may result in electric shock, fire and/or serious injury.

Save all warnings and instructions for future reference.

The term "power tool" in the warnings refers to your mains-operated (corded) power tool or battery-operated (cordless) power tool.

- 1) **Work area safety**
 - a) **Keep work area clean and well lit.**
Cluttered or dark areas invite accidents.
 - b) **Do not operate power tools in explosive atmospheres, such as in the presence of flammable liquids, gases or dust.**
Power tools create sparks which may ignite the dust or fumes.
 - c) **Keep children and bystanders away while operating a power tool.**
Distractions can cause you to lose control.
- 2) **Electrical safety**
 - a) **Power tool plugs must match the outlet. Never modify the plug in any way. Do not use any adapter plugs with earthed (grounded) power tools.**
Unmodified plugs and matching outlets will reduce risk of electric shock.
 - b) **Avoid body contact with earthed or grounded surfaces, such as pipes, radiators, ranges and refrigerators.**
There is an increased risk of electric shock if your body is earthed or grounded.
 - c) **Do not expose power tools to rain or wet conditions.**
Water entering a power tool will increase the risk of electric shock.
 - d) **Do not abuse the cord. Never use the cord for carrying, pulling or unplugging the power tool. Keep cord away from heat, oil, sharp edges or moving parts.**
Damaged or entangled cords increase the risk of electric shock.
 - e) **When operating a power tool outdoors, use an extension cord suitable for outdoor use.**
Use of a cord suitable for outdoor use reduces the risk of electric shock.
 - f) **If operating a power tool in a damp location is unavoidable, use a residual current device (RCD) protected supply.**
Use of an RCD reduces the risk of electric shock.
- 3) **Personal safety**
 - a) **Stay alert, watch what you are doing and use common sense when operating a power tool. Do not use a power tool while you are tired or under the influence of drugs, alcohol or medication.**
A moment of inattention while operating power tools may result in serious personal injury.
 - b) **Use personal protective equipment. Always wear eye protection.**
Protective equipment such as dust mask, non-skid safety shoes, hard hat, or hearing protection used for appropriate conditions will reduce personal injuries.
 - c) **Prevent unintentional starting. Ensure the switch is in the off-position before connecting to power source and/or battery pack, picking up or carrying the tool.**
Carrying power tools with your finger on the switch or energising power tools that have the switch on invites accidents.
- d) **Remove any adjusting key or wrench before turning the power tool on.**
A wrench or a key left attached to a rotating part of the power tool may result in personal injury.
- e) **Do not overreach. Keep proper footing and balance at all times.**
This ensures better control of the power tool in unexpected situations.
- f) **Dress properly. Do not wear loose clothing or jewellery. Keep your hair, clothing and gloves away from moving parts.**
Loose clothes, jewellery or long hair can be caught in moving parts.
- g) **If devices are provided for the connection of dust extraction and collection facilities, ensure these are connected and properly used.**
Use of dust collection can reduce dust related hazards.
- 4) **Power tool use and care**
 - a) **Do not force the power tool. Use the correct power tool for your application.**
The correct power tool will do the job better and safer at the rate for which it was designed.
 - b) **Do not use the power tool if the switch does not turn it on and off.**
Any power tool that cannot be controlled with the switch is dangerous and must be repaired.
 - c) **Disconnect the plug from the power source and/or the battery pack from the power tool before making any adjustments, changing accessories, or storing power tools.**
Such preventive safety measures reduce the risk of starting the power tool accidentally.
 - d) **Store idle power tools out of the reach of children and do not allow persons unfamiliar with the power tool or these instructions to operate the power tool.**
Power tools are dangerous in the hands of untrained users.
 - e) **Maintain power tools. Check for misalignment or binding of moving parts, breakage of parts and any other condition that may affect the power tool's operation.**
If damaged, have the power tool repaired before use. Many accidents are caused by poorly maintained power tools.
 - f) **Keep cutting tools sharp and clean.**
Properly maintained cutting tools with sharp cutting edges are less likely to bind and are easier to control.
 - g) **Use the power tool, accessories and tool bits etc. in accordance with these instructions, taking into account the working conditions and the work to be performed.**
Use of the power tool for operations different from those intended could result in a hazardous situation.
- 5) **Service**
 - a) **Have your power tool serviced by a qualified repair person using only identical replacement parts.**
This will ensure that the safety of the power tool is maintained.

PRECAUTION

Keep children and infirm persons away.
When not in use, tools should be stored out of reach of children and infirm persons.

SAFETY INSTRUCTIONS FOR ALL SAWS

- a) **⚠ DANGER: Keep hands away from cutting area and the blade. Keep your second hand on auxiliary handle, or motor housing.**

If both hands are holding the saw, they cannot be cut by the blade.

- b) **Do not reach underneath the workpiece.**

The guard cannot protect you from the blade below the workpiece.

- c) **Adjust the cutting depth to the thickness of the workpiece.**

Less than a full tooth of the blade teeth should be visible below the workpiece.

- d) **Never hold piece being cut in your hands or across your leg. Secure the workpiece to a stable platform.**

It is important to support the work properly to minimize body exposure, blade binding, or loss of control.

- e) **Hold power tool by insulated gripping surfaces when performing an operation where the cutting tool may contact hidden wiring or its own cord.**

Contact with a "live" wire will also make exposed metal parts of the power tool "live" and shock the operator.

- f) **When ripping always use a rip fence or straight edge guide.**

This improves the accuracy of cut and reduces the chance of blade binding.

- g) **Always use blades with correct size and shape (diamond versus round) of arbour holes.**

Blades that do not match the mounting hardware of the saw will run eccentrically, causing loss of control.

- h) **Never use damaged or incorrect blade washers or bolt.**

The blade washers and bolt were specially designed for your saw, for optimum performance and safety of operation.

FURTHER SAFETY INSTRUCTIONS FOR ALL SAWS

Causes and operator prevention of kickback:

- kickback is a sudden reaction to a pinched, bound or misaligned saw blade, causing an uncontrolled saw to lift up and out of the workpiece toward the operator;
- when the blade is pinched or bound tightly by the kerf closing down, the blade stalls and the motor reaction drives the unit rapidly back toward the operator;
- if the blade becomes twisted or misaligned in the cut, the teeth at the back edge of the blade can dig into the top surface of the wood causing the blade to climb out of the kerf and jump back toward the operator.

Kickback is the result of saw misuse and/or incorrect operating procedures or conditions and can be avoided by taking proper precautions as given below.

- a) **Maintain a firm grip with both hands on the saw and position your arms to resist kickback forces. Position your body to either side of the blade, but not in line with the blade.**

Kickback could cause the saw to jump backwards, but kickback forces can be controlled by the operator, if proper precautions are taken.

- b) **When blade is binding, or when interrupting a cut for any reason, release the trigger and hold the saw motionless in the material until the blade comes to a complete stop.**

Never attempt to remove the saw from the work or pull the saw backward while the blade is in motion or kickback may occur.

Investigate and take corrective actions to eliminate the cause of blade binding.

- c) **When restarting a saw in the workpiece, centre the saw blade in the kerf and check that saw teeth are not engaged into the material.**

If saw blade is binding, it may walk up or kickback from the workpiece as the saw is restarted.

- d) **Support large panels to minimise the risk of blade pinching and kickback.**

Large panels tend to sag under their own weight. Supports must be placed under the panel on both sides, near the line of cut and near the edge of the panel.

- e) **Do not use dull or damaged blades.**

Unsharpened or improperly set blades produce narrow kerf causing excessive friction, blade binding and kickback.

- f) **Blade depth and bevel adjusting locking levers must be tight and secure before making cut.**

If blade adjustment shifts while cutting, it may cause binding and kickback.

- g) **Use extra caution when making a "plunge cut" into existing walls or other blind areas.**

The protruding blade may cut objects that can cause kickback.

SAFETY INSTRUCTIONS FOR SAWS WITH PENDULUM GUARD OR TOW GUARD

- a) **Check lower guard for proper closing before each use. Do not operate the saw if lower guard does not move freely and close instantly. Never clamp or tie the lower guard into the open position.**

If saw is accidentally dropped, lower guard may be bent.

Raise the lower guard with the retracting handle and make sure it moves freely and does not touch the blade or any other part, in all angles and depths of cut.

- b) **Check the operation of the lower guard spring. If the guard and the spring are not operating properly, they must be serviced before use.**

Lower guard may operate sluggishly due to damaged parts, gummy deposits, or a build-up of debris.

- c) **Lower guard should be retracted manually only for special cuts such as "plunge cuts" and "compound cuts". Raise lower guard by retracting handle and as soon as blade enters the material, the lower guard must be released.**

For all other sawing, the lower guard should operate automatically.

- d) **Always observe that the lower guard is covering the blade before placing saw down on bench or floor.**

An unprotected, coasting blade will cause the saw to walk backwards, cutting whatever is in its path. Be aware of the time it takes for the blade to stop after switch is released.

ADDITIONAL SAFETY INSTRUCTIONS FOR ALL SAWS WITH RIVING KNIFE

- a) **Use the appropriate riving knife for the blade being used.**
For the riving knife to work, it must be thicker than the body of the blade but thinner than the tooth set of the blade.
- b) **Adjust the riving knife as described in this instruction manual.**
Incorrect spacing, positioning and alignment can make the riving knife ineffective in preventing kickback.
- c) **Always use the riving knife except when plunge cutting.**
Riving knife must be replaced after plunge cutting. Riving knife causes interference during plunge cutting and can create kickback.
- d) **For the riving knife to work, it must be engaged in the workpiece.**
The riving knife is ineffective in preventing kickback during short cuts.
- e) **Do not operate the saw if riving knife is bent.**
Even a light interference can slow the closing rate of a guard.

5. Always keep the saw blades sharp.
6. Ensure that the lower guard smoothly and freely.
7. Never use the circular saw with its lower guard fixed in the open position.
8. Ensure that the retraction mechanism of the guard system operates correctly.
9. The saw blades body must be thinner than the riving knife and the width of cut, or kerf (with teeth set) must be greater than the thickness of the riving knife.
10. Never operate the circular saw with the saw blade turned upward or to the side.
11. Ensure that the material is free of foreign matters such as nails.
12. The riving knife should always be used except when plunging in the middle of the workpiece.
13. For models C6U2 and C6BU2, the saw blades range should be from 165 mm to 162 mm. For models C7U2 and C7BU2, the saw blades range should be from 190 mm to 185 mm.
14. For models C6BU2 and C7BU2, be careful of brake kickback.
 C6BU2 and C7BU2 models features an electric brake that functions when the switch is released. As there is some kickback when the brake functions, be sure to hold the main body securely.
15. Sparks can sometimes appear caused by braking operation when the switch is turned off since C6BU2 and C7BU2 models employ electric brakes. Be informed, however, that this phenomenon is not a machine trouble.
16. For models C6BU2 and C7BU2, when the brake becomes ineffective, replace the carbon brushes with new ones.
17. Disconnect the plug from the receptacle before carrying out any adjustment, servicing or maintenance.

PRECAUTIONS ON USING CIRCULAR SAW

1. Do not use saw blades which are deformed or cracked.
2. Do not use saw blades made of high speed steel.
3. Do not use saw blades which do not comply with the characteristics specified in these instructions.
4. Do not stop the saw blades by lateral pressure on the disc.

SPECIFICATIONS

Model	C6U2	C6BU2	C7U2	C7BU2
Voltage (by areas)*	(110 V, 230 V) ~			
Cutting Depth	90°	54 mm		66 mm
	45°	39 mm		48 mm
Power Input*	1100 W		1200 W	
No-Load Speed	5500 min ⁻¹			
Weight (without cord)	3.5 kg		4.0 kg	

*Be sure to check the nameplate on product as it is subject to change by areas.

STANDARD ACCESSORIES

- (1) Saw Blade (mounted on tool) 1
 (Dia. 165 mm C6U2, C6BU2)
 (Dia. 190 mm C7U2, C7BU2)
- (2) Hex. bar wrench 1
 (3) Guide 1
 (4) Wing-bolt 1
 (5) Lever (short type) 1
 (6) Dust collector 1

Standard accessories are subject to change without notice.

OPTIONAL ACCESSORIES (sold separately)

- (1) Washer (A) ...for 16 mm (Hole dia. of saw blade)
 ...for 30 mm (Hole dia. of saw blade)
 (2) Guide Rail Adapter (See Fig. 13)

Optional accessories are subject to change without notice.

APPLICATION

Cutting various types of wood.

PRIOR TO OPERATION

1. Power source

Ensure that the power source to be utilized conforms to the power requirements specified on the product nameplate.

2. Power switch

Ensure that the power switch is in the OFF position. If the plug is connected to a receptacle while the power switch is in the ON position, the power tool will start operating immediately, which could cause a serious accident.

3. Extension cord

When the work area is removed from the power source, use an extension cord of sufficient thickness and rated capacity. The extension cord should be kept as short as practicable.

4. Prepare a wooden workbench (Fig. 1)

Since the saw blade will extend beyond the lower surface of the lumber, place the lumber on a workbench when cutting. If a square block is utilized as a workbench, select level ground to ensure it is properly stabilized. An unstable workbench will result in hazardous operation.

CAUTION

To avoid possible accident, always ensure that the portion of lumber remaining after cutting is securely anchored or held in position.

ADJUSTING THE SAW PRIOR TO USE

1. Adjusting the cutting depth

As shown in Fig. 2, hold the handle with one hand while loosening the knob with the other. The cutting depth can be adjusted by moving the base to the desired position. In such manner adjust the cutting depth and then securely retighten the knob.

2. Adjusting the riving knife

Loosen the hexagonal - socket bolt used to clamp the riving knife, adjust the riving knife so that the distance between the riving knife and the rim of the blade is not more than 3 mm, and the rim of the blade does not extend more than 3 mm beyond the lowest edge of the riving knife (Fig. 3) and securely retighten the bolt.

3. Adjusting the angle of inclination

As shown in Fig. 4 (A), Fig. 4 (B) by loosening the wing-nut on the incline gauge and the wing-bolt on the base, the saw blade may be inclined to a maximum angle of 45° in relation to the base. After having completed the adjustment, reconfirm that the wing-nut and the wing-bolt are firmly tightened.

4. Regulating the guide (Fig. 5)

The cutting position can be regulated by moving the guide to the left or right after loosening its wingbolt. The guide may be mounted on either the right or left side of the tool.

5. Adjusting the guide piece

On the circular saw, it is possible to make fine adjustment of the fixing position of the guide piece, where the saw blade and the premarked line are to be aligned.

When the saw is shipped from the factory, the linear portion of a front scale on the guide piece is aligned with the central position of the saw blade (Fig. 6).

Loosen the fixed M4 screw on the guide piece, should the fixing position be wrong, and make necessary adjustment of the position.

6. Using the dust collector

To use the vacuum cleaner to gather up saw dust, attach the suction hose to the dust collector which is attached to the main unit by M4 and M5 screws. When attaching the dust collector always be sure to change the lever to the short type at this same time (Fig. 12).

CAUTION

Continuing to use the lever that was attached to the main unit prior to shipping from the factory will cause it to bind on the dust collector and will interfere with the lower guard operation.

CUTTING PROCEDURES

1. Place the base on the material, then align the premarked line and the sawblade with the guide piece front scale section at the front of the base (Fig. 6).

When the base is not slanted, use the large cutout as the guide (Fig. 6, Fig. 7 (A)).

If the base is slanted (45 degrees), use the small front scale as the guide (Fig. 6, Fig. 7 (B)).

2. Ensure that the switch is turned to the ON position before the saw blade comes in contact with the lumber. The switch is turned ON when the trigger is squeezed; and OFF when the trigger is released.
3. Moving the saw straight at a constant speed will produce optimum cutting.

CAUTIONS

Prior to cutting operation, make sure the material you are going to cut. If the material to be cut is expected to generate harmful / toxic dusts, make sure the dust bag or appropriate dust extraction system is connected with dust outlet tightly.

Wear the dust mask additionally, if available.

A coating of PFTE is applied to the bases of the C6BU2 type and C7BU2 type. Be careful not to press too hard on the unit body since this tends to place a heavy load on the motor. Using a gentle pressure will make the piece slide easier and allow cutting with less force. Trying to cut wood that is covered with hard particle material such as sand or metal chips tends to easily scratch damage the surface coating so use caution.

- Before starting to saw, ensure that the saw blade has reached full speed revolution.
- Should the saw blade be stopped or made an abnormal noise during operation, turn off the switch immediately.
- Always take care in preventing the power cord from coming near the revolving saw blade.
- Using the circular saw with the saw blade facing upwards or sideways is very hazardous. Such uncommon applications should be avoided.
- When cutting materials, always wear protective glasses.
- When finished with a job, pull out the plug from the receptacle.

MOUNTING AND DISMOUNTING THE SAW BLADE

CAUTION

To avoid serious accident, ensure the switch is in the OFF position, and the power source is disconnected.

1. Dismounting the saw blade

- (1) Set the cutting volume at maximum, and place the Circular Saw as shown in Fig. 8.
- (2) Depress the lock lever, lock the spindle, and remove the hexagonal-socket bolt with the Hex. bar wrench.
- (3) While holding the lower guard lever to keep the lower guard fully retracted into the saw cover, remove the saw blade.

2. Mounting the Saw Blade

- (1) Thoroughly remove any sawdust which has accumulated on the spindle, bolt and washers.
- (2) As shown in Fig. 9, the side of Washer (A) with a projected center the same diameter as the inner diameter of the saw blade and the concave side of Washer (B) must be fitted to the saw blade sides.
 - * Washer (A) is supplied for 2 types of saw blades with the hole diameters of 16 mm and 30 mm. (When buying the Circular Saw, one type of washer (A) is supplied.)

In case the hole diameter of your saw blade does not correspond to that of washer (A), please contact the shop where you purchased the Circular Saw.
- (3) To assure proper rotation direction of the saw blade, the arrow direction on the saw blade must coincide with the arrow direction on the saw cover.
- (4) Using the fingers, tighten the hexagonal-socket bolt retaining the saw blade as much as possible. Then depress the lock lever, lock the spindle, and thoroughly tighten the bolt.

CAUTION

After having attached the saw blade, reconfirm that the lock lever is firmly secured in the prescribed position.

MAINTENANCE AND INSPECTION

1. Inspecting the saw blade

Since use of a dull saw blade will degrade efficiency and cause possible motor malfunction, sharpen or replace the saw blade as soon as abrasion is noted.

2. Inspecting the mounting screws

Regularly inspect all mounting screws and ensure that they are properly tightened. Should any of the screws be loose, retighten them immediately. Failure to do so could result in serious hazard.

3. Inspecting the carbon brushes (Fig. 10)

The motor employs carbon brushes which are consumable parts. Since an excessively worn carbon brush can result in motor trouble, replace the carbon brushes with new ones having the same carbon brush No. shown in the figure when it becomes worn to or near the "wear limit". In addition, always keep carbon brushes clean and ensure that they slide freely within the brush holders.

CAUTION

- When replacing the new carbon brushes, always use genuine Hitachi carbon brushes with the number specified in the drawing.

- For models C6BU2 and C7BU2, the brake may not work if other than the specified carbon brushes are used.

When the brake becomes ineffective, replace the carbon brushes with new ones.

4. Replacing carbon brushes

Disassemble the brush caps with a slotted-head screwdriver. The carbon brushes can then be easily removed.

5. Maintenance of the motor

The motor unit winding is the very "heart" of the power tool.

Exercise due care to ensure the winding does not become damaged and/or wet with oil or water.

6. Adjusting the base and saw blade to maintain perpendicularity

The angle between the base and the saw blade has been adjusted to 90°, however should this perpendicularity be lost for some reason, adjust in the following manner:

- (1) Turn the base face up (Fig. 11) and loosen the wing-nut and wing-bolt (Fig. 4 (A), Fig. 4 (B)).
- (2) Apply a square to the base and the saw blade and turning the slotted set screw with a slotted-head screwdriver, shift the position of the base to produce the desired right angle.

7. Service parts list

- A: Item No.
- B: Code No.
- C: No. Used
- D: Remarks

CAUTION

Repair, modification and inspection of Hitachi Power Tools must be carried out by an Hitachi Authorized Service Center.

This Parts List will be helpful if presented with the tool to the Hitachi Authorized Service Center when requesting repair or other maintenance.

In the operation and maintenance of power tools, the safety regulations and standards prescribed in each country must be observed.

MODIFICATIONS

Hitachi Power Tools are constantly being improved and modified to incorporate the latest technological advancements.

Accordingly, some parts (i.e. code numbers and/or design) may be changed without prior notice.

GUARANTEE

We guarantee Hitachi Power Tools in accordance with statutory/country specific regulation. This guarantee does not cover defects or damage due to misuse, abuse, or normal wear and tear. In case of complaint, please send the Power Tool, dismantled, with the GUARANTEE CERTIFICATE found at the end of this Handling instruction, to a Hitachi Authorized Service Center.

NOTE

Due to HITACHI's continuing program of research and development, the specifications herein are subject to change without prior notice.

Information concerning airborne noise and vibration

The measured values were determined according to EN 60745 and declared in accordance with ISO 4871.

Measured A-weighted sound power level: 101 dB(A)
Measured A-weighted sound pressure level: 90 dB(A)
Uncertainty KpA: 3 dB(A)

Wear ear protection.

The typical weighted root mean square acceleration value: 2.1 m/s².

ALLGEMEINE SICHERHEITSHINWEISE FÜR ELEKTROGERÄTE

WARNUNG

Lesen Sie sämtliche Sicherheitshinweise und Anweisungen durch. Wenn die Warnungen und Anweisungen nicht befolgt werden, kann es zu Stromschlag, Brand und/oder ernsthaften Verletzungen kommen.

Bitte bewahren Sie alle Warnhinweise und Anweisungen zum späteren Nachschlagen auf.

Der Begriff „Elektrowerkzeug“ bezieht sich in den Warnhinweisen auf Elektrowerkzeuge mit Netz- (schnurgebunden) oder Akkubetrieb (schnurlos).

1) Sicherheit im Arbeitsbereich

- Sorgen Sie für einen sauberen und gut ausgeleuchteten Arbeitsbereich.**
Zugestellte oder dunkle Bereiche ziehen Unfälle förmlich an.
- Verwenden Sie Elektrowerkzeuge niemals an Orten, an denen Explosionsgefahr besteht – zum Beispiel in der Nähe von leicht entflammaren Flüssigkeiten, Gasen oder Stäuben.**
Bei der Arbeit mit Elektrowerkzeugen kann es zu Funkenbildung kommen, wodurch sich Stäube oder Dämpfe entzünden können.
- Sorgen Sie bei der Arbeit mit Elektrowerkzeugen dafür, dass sich keine Zuschauer (insbesondere Kinder) in der Nähe befinden.**
Wenn Sie abgelenkt werden, können Sie die Kontrolle über das Werkzeug verlieren.

2) Elektrische Sicherheit

- Elektrowerkzeuge müssen mit passender Stromversorgung betrieben werden.**
Nehmen Sie niemals irgendwelche Änderungen am Anschlussstecker vor.
Verwenden Sie bei Elektrowerkzeugen mit Schutzkontakt (geerdet) niemals Adapterstecker.
Stecker im Originalzustand und passende Steckdosen reduzieren das Stromschlagrisiko.
- Vermeiden Sie Körperkontakt mit geerdeten Gegenständen wie Rohrleitungen, Heizungen, Herden oder Kühlschränken.**
Bei Körperkontakt mit geerdeten Gegenständen besteht ein erhöhtes Stromschlagrisiko.
- Setzen Sie Elektrowerkzeuge niemals Regen oder sonstiger Feuchtigkeit aus.**
Wenn Flüssigkeiten in ein Elektrowerkzeug eindringen, erhöht sich das Stromschlagrisiko.
- Verwenden Sie die Anschlusschnur nicht missbräuchlich.**
Tragen Sie das Elektrowerkzeug niemals an der Anschlusschnur, ziehen Sie es nicht damit heran und ziehen Sie den Stecker nicht an der Anschlusschnur aus der Steckdose.
Halten Sie die Anschlusschnur von Hitzequellen, Öl, scharfen Kanten und beweglichen Teilen fern.
Beschädigte oder verdrehte Anschlusschnüre erhöhen das Stromschlagrisiko.
- Wenn Sie ein Elektrowerkzeug im Freien benutzen, verwenden Sie ein für den Außeneinsatz geeignetes Verlängerungskabel.**
Ein für den Außeneinsatz geeignetes Kabel vermindert das Stromschlagrisiko.
- Falls sich der Betrieb des Elektrowerkzeuges in feuchter Umgebung nicht vermeiden lässt, verwenden Sie eine Stromversorgung mit Fehlerstromschutzeinrichtung (Residual Current Device, RCD).**
Durch den Einsatz einer Fehlerstromschutzeinrichtung wird das Risiko eines elektrischen Schlages reduziert.

3) Persönliche Sicherheit

- Blieben Sie wachsam, achten Sie auf das, was Sie tun, und setzen Sie Ihren Verstand ein, wenn Sie mit Elektrowerkzeugen arbeiten.**
Benutzen Sie keine Elektrowerkzeuge, wenn Sie müde sind oder unter Einfluss von Drogen, Alkohol oder Medikamenten stehen.
Bei der Arbeit mit Elektrowerkzeugen können bereits kurze Phasen der Unaufmerksamkeit zu schweren Verletzungen führen.
- Benutzen Sie eine persönliche Schutzausrüstung. Tragen Sie immer einen Augenschutz.**
Schutzausrüstung wie Staubmaske, rutschsichere Sicherheitsschuhe, Schutzhelm und Gehörschutz senken das Verletzungsrisiko bei angemessenem Einsatz.
- Vermeiden Sie unbeabsichtigten Anlauf. Achten Sie darauf, dass sich der Schalter in der Aus- (Off-) Position befindet, ehe Sie das Gerät mit der Stromversorgung und/oder Batteriestromversorgung verbinden, es aufheben oder herumtragen.**
Das Herumtragen von Elektrowerkzeugen mit dem Finger am Schalter oder das Herstellen der Stromversorgung bei betätigtem Schalter zieht Unfälle regelrecht an.
- Entfernen Sie sämtliche Einstellwerkzeuge (Einstellschlüssel), ehe Sie das Elektrowerkzeug einschalten.**
Ein an einem beweglichen Teil des Elektrowerkzeuges angebrachter Schlüssel kann zu Verletzungen führen.
- Sorgen Sie für einen festen Stand. Achten Sie jederzeit darauf, sicher zu stehen und das Gleichgewicht zu bewahren.**
Dadurch haben Sie das Elektrowerkzeug in unerwarteten Situationen besser im Griff.
- Kleiden Sie sich richtig. Tragen Sie keine lose Kleidung oder Schmuck. Halten Sie Haar, Kleidung und Handschuhe von beweglichen Teilen fern.**
Lose Kleidung, Schmuck oder langes Haar kann von beweglichen Teilen erfasst werden.
- Wenn Anschlüsse für Staubabsaug- und -sammelvorrichtungen vorhanden sind, sorgen Sie dafür, dass diese richtig angeschlossen und eingesetzt werden.**
Durch Entfernen des Staubes können staubbezogene Gefahren vermindert werden.

4) Einsatz und Pflege von Elektrowerkzeugen

- Überprüfen Sie das Elektrowerkzeug nicht. Benutzen Sie das richtige Elektrowerkzeug für Ihren Einsatzzweck.**
Das richtige Elektrowerkzeug erledigt seine Arbeit bei bestimmungsgemäßem Einsatz besser und sicherer.
- Benutzen Sie das Elektrowerkzeug nicht, wenn es sich nicht am Schalter ein- und ausschalten lässt.**
Jedes Elektrowerkzeug, das nicht mit dem Schalter betätigt werden kann, stellt eine Gefahr dar und muss repariert werden.
- Stecken Sie den Stecker der Stromversorgung oder Batteriestromversorgung vom Gerät ab, ehe Sie Einstellarbeiten vornehmen, Zubehörteile tauschen oder das Elektrowerkzeug verstauen.**
Solche präventiven Sicherheitsmaßnahmen verhindern den unbeabsichtigten Anlauf des Elektrowerkzeugs und die damit verbundenen Gefahren.
- Lagern Sie nicht benutzte Elektrowerkzeuge außerhalb der Reichweite von Kindern, lassen Sie nicht zu, dass Personen das Elektrowerkzeug bedienen, die nicht mit dem Werkzeug selbst und/oder diesen Anweisungen vertraut sind.**
Elektrowerkzeuge in ungeschulten Händen sind gefährlich.
- Halten Sie Elektrowerkzeuge in Stand. Prüfen Sie auf Fehlausrichtungen, sicheren Halt und Leichtgängigkeit beweglicher Teile, Beschädigungen von Teilen und auf jegliche andere Zustände, die sich auf den Betrieb des Elektrowerkzeugs auswirken können.**

Bei Beschädigungen lassen Sie das Elektrowerkzeug reparieren, ehe Sie es benutzen.

Viele Unfälle mit Elektrowerkzeugen sind auf schlechte Wartung zurückzuführen.

- f) **Halten Sie Schneidwerkzeuge scharf und sauber.**
Richtig gewartete Schneidwerkzeuge mit scharfen Schneidkanten bleiben weniger häufig hängen und sind einfacher zu beherrschen.
- g) **Benutzen Sie Elektrowerkzeuge, Zubehör, Werkzeugspitzen und Ähnliches in Übereinstimmung mit diesen Anweisungen – beachten Sie dabei die jeweiligen Arbeitsbedingungen und die Art und Weise der auszuführenden Arbeiten.**
Der Gebrauch des Elektrowerkzeuges für andere als die vorgesehenen Anwendungen kann zu gefährlichen Situationen führen.


5) Service

- a) **Lassen Sie Elektrowerkzeuge durch qualifizierte Fachkräfte und unter Einsatz passender, zugelassener Originalteile warten.**
Dies sorgt dafür, dass die Sicherheit des Elektrowerkzeuges nicht beeinträchtigt wird.

VORSICHT

Von Kindern und gebrechlichen Personen fernhalten.
Werkzeuge sollten bei Nichtgebrauch außerhalb der Reichweite von Kindern und gebrechlichen Personen aufbewahrt werden.

SICHERHEITSHINWEISE FÜR ALLE SÄGEN

- a)  **GEFAHR: Halten Sie Ihre Hände vom Arbeitsbereich und dem Blatt fern. Ihre zweite Hand befindet sich am Nebengriff oder am Motorgehäuse.**
Wenn Sie die Säge mit beiden Händen halten, können Sie sich nicht in die Finger schneiden.
- b) **Greifen Sie nicht unter das Werkstück.**
Die Schutzeinrichtungen können Sie nicht vor dem Teil des Sägeblattes schützen, der sich unter dem Werkstück befindet.
- c) **Passen Sie die Schnitttiefe der Stärke des Werkstücks an.**
Unterhalb des Werkstückes sollte weniger als ein ganzer Sägezahn sichtbar sein.
- d) **Halten Sie ein zu schneidendes Werkstück niemals mit den Händen oder gar über Ihr Bein gelegt. Befestigen Sie das Werkstück auf einer stabilen Unterlage.**
Es ist wichtig, das Werkstück richtig zu stützen, damit es nicht zu Körperkontakt, Festfressen des Sägeblattes oder Kontrollverlust kommt.
- e) **Halten Sie Elektrowerkzeuge an den isolierten Griffflächen, wenn Sie Arbeiten ausführen, bei denen das Schneidwerkzeug verborgene Leitungen oder sein eigenes Netzkabel berühren kann.**
Der Kontakt mit stromführenden Leitungen setzt auch Metallteile des Elektrowerkzeugs unter Strom und führt zum Stromschlag.
- f) **Benutzen Sie beim Trennen (Längsschnitt) grundsätzlich einen Parallel- oder Linealanschlag.**
Dies verbessert die Schnittpräzision und erschwert ein Festfressen des Sägeblattes.
- g) **Benutzen Sie grundsätzlich Sägeblätter der richtigen Bohrungsgröße und -form (Rund- oder Diamantform).**
Sägeblätter, die nicht exakt zur Sägeblattaufnahme der Säge passen, laufen exzentrisch und können außer Kontrolle geraten.

- h) **Benutzen Sie niemals beschädigte oder unpassende Sägeblatt-Unterlegscheiben oder -Schrauben.**
Die Sägeblatt-Unterlegscheiben und -Schrauben wurden speziell für Ihre Säge entwickelt – für beste Leistung und höchste Betriebssicherheit.

WEITERE SICHERHEITSHINWEISE FÜR ALLE SÄGEN

Ursachen und Vermeidung von Rückschlag:

- der Rückschlag ist eine plötzliche Reaktion auf ein verklemmtes, verbogenes oder falsch ausgerichtetes Sägeblatt und führt zum unkontrollierten Springen der Säge aus dem Werkstück zum Bediener hin;
- wenn sich das Blatt in der enger werdenden Schnittfuge verklemmt, wird die Drehbewegung des Blattes blockiert und das Gerät durch die Motorkraft urplötzlich Richtung Bediener geschleudert;
- wenn sich das Blatt innerhalb der Schnittfuge verbiegt oder falsch ausrichtet, können sich die Zähne am rückwärtigen Teil des Sägeblattes in die Holzoberfläche graben und das Blatt zum Bediener hin aus der Schnittfuge springen lassen.

Ein Rückschlag ist das Ergebnis missbräuchlicher Nutzung der Säge und/oder falscher Bedienschritte oder ungeeigneter Arbeitsbedingungen – und kann durch geeignete Schutzmaßnahmen (wie nachstehend) verhindert werden.

- a) **Halten Sie die Säge mit beiden Händen fest gepackt und halten Sie Ihre Arme so, dass sie einem möglichen Rückschlag entgegenwirken.**
Stellen Sie sich so hin, dass sich Ihr Körper seitlich hinter dem Sägeblatt befindet, nicht jedoch direkt dahinter.
Durch den Rückschlag kann die Säge nach hinten springen; die Rückschlagkräfte lassen sich vom Bediener aber in den Griff bekommen, wenn die richtigen Vorsichtsmaßnahmen getroffen werden.
- b) **Wenn sich das Blatt festfressen sollte oder Sie die Schneidarbeit aus sonstigen Gründen unterbrechen sollten, schalten Sie die Säge ab und bewegen sie nicht mehr, bis das Blatt vollständig stillsteht.**
Versuchen Sie niemals, das Sägeblatt aus dem Werkstück zu lösen oder die Säge nach hinten zu ziehen, während sich das Sägeblatt dreht – dies kann zum Rückschlag führen.
Überprüfen Sie die Ursache des Festfressens und treffen Sie entsprechende Gegenmaßnahmen.
- c) **Wenn Sie die Säge erneut starten, während sich das Blatt bereits im Werkstück befindet, zentrieren Sie das Blatt in der Schnittfuge und vergewissern sich, dass die Sägezähne nicht im Material stecken.**
Falls das Sägeblatt festgefressen ist, kann es sich beim Anlauf der Säge nach oben arbeiten oder aus dem Werkstück springen.
- d) **Unterlegen Sie große Platten, um ein Verklemmen des Blattes und Rückschlag zu vermeiden.**
Große Werkstücke neigen dazu, unter ihrem Eigengewicht nachzugeben. An beiden Seiten des Werkstückes müssen Auflagen angebracht werden – nahe der Schnittlinie und an den Kanten des Werkstückes.

- e) **Benutzen Sie keine stumpfen oder beschädigten Sägeblätter.**
Stumpfe oder unsachgemäß eingesetzte Sägeblätter erzeugen eine enge Schnittfuge und übermäßige Reibung, führen zum Festfressen des Blattes und zum Rückschlag.
- f) **Arretierungshebel für Schnitttiefe und Gehrung müssen straff und sicher angezogen sein, ehe Sie den Schnitt ausführen.**
Falls sich die Sägeblatteinstellung während des Schnitts verschiebt, kann sich das Blatt festfressen und Rückschlag eintreten.
- g) **Lassen Sie bei Eintauchsnitten in Wände und andere uneinsehbare Bereiche extreme Vorsicht walten.**
Das vordringende Sägeblatt kann in Objekte eindringen, die einen Rückschlag verursachen.

SICHERHEITSHINWEISE FÜR SÄGEN MIT PENDELSCHUTZHAUBE ODER ZUGSCHUTZHAUBE

- a) **Prüfen Sie vor jedem Gebrauch, ob die untere Schutzabdeckung (Blattschutz) richtig schließt. Benutzen Sie die Säge nicht, wenn sich die untere Schutzabdeckung nicht frei bewegen lässt und sich nicht verzögerungsfrei schließt. Klemmen oder binden Sie die untere Schutzabdeckung niemals in geöffneter Position fest.**
Falls die Säge aus Versehen fallen gelassen wird, kann sich die untere Schutzabdeckung verbiegen. Ziehen Sie die untere Schutzabdeckung mit dem vorgesehenen Handgriff zurück und überzeugen Sie sich, dass sie sich frei bewegen lässt und in sämtlichen Schnittwinkeln und -tiefen nicht das Sägeblatt berührt.
- b) **Überprüfen Sie die einwandfreie Funktion der unteren Schutzabdeckungsfeder. Falls Schutzabdeckung (Blattschutz) und Feder nicht einwandfrei arbeiten sollten, müssen diese vor Arbeitsbeginn instandgesetzt werden.**
Die untere Schutzabdeckung kann schwergängig werden, wenn Teile beschädigt sind, sich Gummiablagerungen oder sonstige Rückstände angesammelt haben.
- c) **Die untere Schutzabdeckung (Blattschutz) sollte nur bei speziellen Schnitten von Hand zurückgezogen werden, z. B. bei Eintauch- und Verbundsnitten. Heben Sie die untere Schutzabdeckung am vorgesehenen Handgriff an – sobald das Sägeblatt in das Werkstück eindringt, muss die Schutzabdeckung wieder losgelassen werden.**
Bei allen anderen Sägearbeiten sollte die untere Schutzabdeckung automatisch betätigt werden.
- d) **Achten Sie immer darauf, dass die untere Schutzabdeckung (Blattschutz) das Sägeblatt umgibt, ehe Sie die Säge auf der Werkbank oder dem Boden absetzen.**
Ein ungeschütztes, laufendes Sägeblatt löst eine Rückwärtsbewegung der Säge aus und zerschneidet alles, was sich im Weg befindet. Beachten Sie die Zeit vom Abschalten bis zum Stillstand des Sägeblattes.

ZUSÄTZLICHE SICHERHEITSHINWEISE FÜR SÄMTLICHE SÄGEN MIT SPALTKEIL

- a) **Verwenden Sie den richtigen Spaltkeil für das verwendete Sägeblatt.**
Damit der Spaltkeil funktioniert, muss er breiter als der Sägeblattkörper, aber schmaler als die Zahnbreite des Blattes sein.
- b) **Stellen Sie den Spaltkeil wie in der Anleitung beschrieben ein.**
Falsche Abstände und Ausrichtungen können die Rückschlagverhinderung durch den Spaltkeil außer Kraft setzen.
- c) **Verwenden Sie den Spaltkeil grundsätzlich; außer bei Eintauchsnitten.**
Nach der Ausführung von Eintauchsnitten muss der Spaltkeil wieder eingesetzt werden. Bleibt der Spaltkeil bei Eintauchsnitten installiert, kann er die Schnittführung stören und Rückschläge auslösen.
- d) **Damit der Spaltkeil funktioniert, muss er am Werkstück anliegen.**
Bei Kurzsnitten kann der Spaltkeil Rückschläge nicht verhindern.
- e) **Verwenden Sie die Säge nicht, falls der Spaltkeil verbogen sein sollte.**
Selbst geringe Abweichungen können das ordnungsgemäße und ausreichend schnelle Schließen von Schutzeinrichtungen verhindern.

VORSICHTSMASSNAHMEN BEI DER BENUTZUNG DER KREISSÄGE

1. Nicht verbogene oder gerissene Sägeblätter verwenden.
2. Nicht Sägeblätter aus getempertem Stahl verwenden.
3. Nicht Sägeblätter verwenden, die nicht mit den in dieser Anweisung gegebenen Regeln übereinstimmen.
4. Nicht die Sägeblätter durch seitlichen Druck auf die Scheibe stoppen.
5. Die Sägeblätter immer scharf halten.
6. Stellen Sie sicher, dass sich die untere Schutzabdeckung (Blattschutz) reibungslos und frei bewegen lässt.
7. Benutzen Sie die Kreissäge niemals mit in offener Position fixierter unterer Schutzabdeckung (Blattschutz).
8. Immer sicherstellen, daß der Rückzugmechanismus des Schutzsystems richtig arbeitet.
9. Die Sägeblätter müssen dünner sein als der Spaltkeil und die Breite des Schnittes, der Kerbschnitt (mit eingesetzten Zähnen) muß größer sein als die Stärke des Spaltkeils.
10. Die Kreissäge nie mit schräggehendem oder seitlich stehendem Sägeblatt einsetzen.
11. Immer darauf achten, daß das Werkstück keine fremden Gegenstände wie Nägel enthält.
12. Der Spaltkeil soll immer verwendet werden, ausgenommen wenn in die Mitte des Werkstücks gesenkt wird.
13. Bei den Modellen C6U2 und C6BU2 sollten Sägeblätter der Größen 165 mm bis 162 mm verwendet werden.
 Bei den Modellen C7U2 und C7BU2 sollten Sägeblätter der Größen 190 mm bis 185 mm verwendet werden.

14. Bei den Modellen C6BU2 und C7BU2 geben Sie auf den Rückschlag beim Abbremsen acht. Die Modelle C6BU2 und C7BU2 verfügen über eine elektrische Bremse, die beim Loslassen des Schalters eingreift. Da beim Auslösen der Bremse ein Rückschlag entsteht, achten Sie darauf, das Gehäuse gut festzuhalten.
15. Beim Ausschalten kann es manchmal durch Bremsbetrieb zum Auftreten von Funken kommen, da die Modelle C6BU2 und C7BU2 elektrische Bremsen verwenden. Diese Erscheinung zeigt jedoch keine Störung der Kreissäge an.
16. Falls die Bremswirkung bei den Modellen C6BU2 und C7BU2 nachlässt, tauschen Sie die Kohlebürsten gegen neuwertige aus.
17. Ziehen Sie den Stecker des Netzkabels aus der Steckdose, bevor Sie Einstellungen, Pflege oder Wartung durchführen.

TECHNISCHE DATEN

Modell	C6U2	C6BU2	C7U2	C7BU2
Spannung (je nach Gebiet)*	(110 V, 230 V) ~			
Schnittiefe	90°	54 mm		66 mm
	45°	39 mm		48 mm
Leistungsaufnahme*	1100 W			1200 W
Leeraufdrehzahl	5500 min ⁻¹			
Gewicht (ohne Kabel)	3,5 kg			4,0 kg

*Vergessen Sie nicht, die Produktangaben auf dem Typenschild zu überprüfen, da sich diese je nach Verkaufsgebiet ändern.

STANDARDZUBEHÖR

- (1) Sägeblatt (am Werkzeug befestigt) 1
 (Durchmesser 165 mm ... C6U2, C6BU2)
 (Durchmesser 190 mm ... C7U2, C7BU2)
 - (2) Sechskantschlüssel 1
 - (3) Parallelanschlag 1
 - (4) Flügelschraube 1
 - (5) Hebel (kurz) 1
 - (6) Staubsammler 1
- Das Standardzubehör kann ohne vorherige Bekanntmachung jederzeit geändert werden.

SONDERZUBEHÖR (separat zu beziehen)

- (1) Unterlegscheibe (A)
 für 16 mm (Lochdurch messern des Sägeblattes)
 für 30 mm (Lochdurch messern des Sägeblattes)
- (2) Führungsschienenadapter (siehe **Abb. 13**).

Das Sonderzubehör kann ohne vorherige Bekanntmachung jederzeit geändert werden.

ANWENDUNG

Schneiden verschiedener Holzarten.

VOR INBETRIEBNAHME

1. **Netzspannung**
 Prüfen, daß die zu verwendende Netzspannung der Angabe auf dem Typenschild entspricht.
2. **Netzschalter**
 Prüfen, daß der Netzschalter auf "AUS" steht. Wenn der Stecker an das Netz angeschlossen wird, während der Schalter auf "EIN" steht, beginnt das Werkzeug sofort zu laufen, was gefährlich ist.

3. Verlängerungskabel

Wenn der Arbeitsbereich nicht in der Nähe des Netzanschlusses liegt, ist ein Verlängerungskabel ausreichenden Querschnitts und ausreichender Nennleistung zu verwenden. Das Verlängerungskabel sollte so kurz wie möglich gehalten werden.

4. Schaffung einer hölzernen Werkbank (Abb. 1)

Da das Sägeblatt über die Unterkante des Schnittholzes hinausragt, wird das Schnittholz beim Schneiden auf eine Werkbank gelegt. Wenn ein Holzklötz als Untergestell verwendet wird, ist ein ebener Untergrund zu wählen, damit dieser fest liegt. Ein nichtstabiles Untergestell ist gefährlich.

ACHTUNG

Um einen möglichen Unfall zu vermeiden, ist immer darauf zu achten, daß der nach dem Schneiden verbleibende Teil des geschnittenen Holzes gut verankert ist oder in Position gehalten wird.

EINSTELLUNG VOR DEM SCHNEIDEN

1. Einstellen der Schnittiefe

Mit der einen Hand den Stellknopf lösen und dabei, wie in **Abb. 2** dargestellt, mit der anderen Hand das Werkzeug am Handgriff halten. Die Kerbtiefe kann durch Ausrichten der Auflage in die gewünschte Position eingestellt werden. Die Schnittiefe auf diese Weise einstellen und anschließend den Stellknopf wieder festziehen.

2. Einstellen des Spaltkeils

Lösen Sie die Sechskantschraube, die den Spaltkeil fixiert, richten Sie den Spaltkeil so aus, dass der Abstand zwischen Spaltkeil und Sägeblattrand nicht größer als 3 mm ist und der Rand des Sägeblattes nicht weiter als 3 mm über die Unterkante des Spaltkeils (**Abb. 3**) hervorsteht. Ziehen Sie die Schraube danach wieder fest an.

3. Einstellen des Schrägwinkels

Wie in **Abb. 4 (A)** und **Abb. 4 (B)** gezeigt, können Sie das Sägeblatt um maximal 45° gegen die Grundplatte neigen, indem Sie die Flügelmutter an der Neigungsskala und die Flügelschraube an der Grundplatte lösen. Nach der Einstellung vergewissern Sie sich noch einmal, dass Flügelmutter und Flügelschraube wieder fest angezogen wurden.

4. Einstellung des Parallelenschlags (Abb. 5)

Die Schneidenposition kann durch Verstellen des Parallelenschlags nach rechts oder links nach Losdrehen der Flügelschraube verstellt werden. Der Parallelenschlag kann an der rechten oder an der linken Seite des Werkzeugs angebracht sein.

5. Einstellen des Führungsstücks

An der Kreissäge ist es möglich, Feineinstellung für die Befestigungsposition des Führungsstücks durchzuführen, wo das Sägeblatt und die vormarkierte Linie auszurichten sind.

Beim Versand der Säge ab Werk ist der lineare Abschnitt der vorderen Skala am Führungsstück auf die Mitte des Sägeblatts ausgerichtet (**Abb. 6**).

Falls die Fixierungsposition nicht stimmen sollte, lösen Sie die M4-Schraube am Führungsstück und stellen die Position wie erforderlich nach.

6. Verwendung des Staubsammlers

Um anfallenden Sägestaub mit Hilfe eines Staubsaugers abzusaugen, bringen Sie den Saugschlauch am Staubsammler an; dieser wird durch M4- und M5-Schrauben am Hauptgerät gehalten. Achten Sie beim Anbringen des Staubsammlers immer darauf, zur gleichen Zeit den Hebel gegen den kürzeren Typ zu tauschen (**Abb. 12**).

VORSICHT

Wenn Sie den Hebel, der ab Werk am Hauptgerät angebracht ist, weiter verwenden, verklemmt sich dieser am Staubsammler und behindert die Funktion der unteren Schutzabdeckung.

SCHNEIDEVERFAHREN

1. Setzen Sie die Basis auf das Material, und richten Sie dann die vormarkierte Linie und das Sägeblatt mit der vorderen Skala des Führungsstücks an der Vorderseite der Basis aus (**Abb. 6**).

Verwenden Sie die große vordere Skala als Führung, wenn die Basis nicht geneigt ist (**Abb. 6, Abb. 7(A)**). Verwenden Sie die kleine vordere Skala als Führung, wenn die Basis geneigt ist (**Abb. 6, Abb. 7(B)**).

2. Es ist darauf zu achten, daß der Schalter auf "EIN" geschaltet ist, ehe das Sägeblatt mit dem Schnittholz in Berührung kommt. Der Schalter wird eingeschaltet, wenn der Drücker eingedrückt wird und ausgeschaltet, wenn der Drücker losgelassen wird.

3. Um einen sauberen Schnitt zu erzielen, das Sägeblatt mit gleichbleibender Geschwindigkeit nach vorn bewegen.

ACHTUNG

Machen Sie sich vor jeder Schneidtätigkeit mit dem zu schneidenden Material vertraut. Falls das zu schneidende Material voraussichtlich schädliche oder giftige Stäube freisetzt, achten Sie in jedem Fall darauf, den Staubbeutel oder ein geeignetes Staubabsaugsystem ordnungsgemäß an den Staubauslass anzuschließen.

Tragen Sie am besten eine Staubschutzmaske, wenn vorhanden.

Die Grundplatten der Modelle C6BU2 und C7BU2 sind PTFE-beschichtet. Achten Sie darauf, nicht zu fest auf das Gehäuse zu drücken, da hierdurch der Motor stark belastet wird. Mit sanftem Druck lassen sich die Teile leichter bewegen und der Schnitt kann mit weniger Kraft ausgeführt werden. Wenn Sie Holz schneiden, das mit harten Partikeln wie Sand oder Metallspänen bedeckt ist, kann es leicht zu Beschädigungen der Oberflächenbeschichtung kommen; gehen Sie also umsichtig vor.

○ Ehe mit dem Sägen begonnen wird, muß das Sägeblatt die volle Umdrehungsgeschwindigkeit erreicht haben.

○ Bleibt das Sägeblatt hängen oder macht es ein ungewöhnliches Geräusch während des Schneidens, ist der Schalter sofort auszuschalten.

○ Das Anschlußkabel darf niemals in die Nähe des laufenden Sägeblattes kommen.

○ Der Einsatz der Kreissäge mit nach oben oder zur Seite weisendem Sägeblatt ist sehr gefährlich. Vermeiden Sie solche abweichenden Arbeiten.

○ Tragen Sie beim Schneiden von Werkstücken grundsätzlich eine Schutzbrille.

○ Wenn Sie mit der Arbeit fertig sind, ziehen Sie immer den Netzstecker.

ANBRINGEN UND ENTFERNEN DES SÄGEBLATTES**ACHTUNG**

Als Vorbeugemaßnahme gegen Unfälle ist darauf zu achten, daß der Schalter auf "AUS" steht und der Netzanschluß unterbrochen ist.

1. Ausbauen des Sägeblattes

(1) Die Grundplatte auf maximale Schnitttiefe einstellen und die Kreissäge wie in **Abb. 8** gezeigt ausrichten.

(2) Drücken Sie den Sperrhebel hinab, fixieren Sie die Achse und entfernen Sie die Sechskantschraube mit Hilfe des Sechskantschlüssels.

(3) Halten Sie den unteren Schutzabdeckungshebel fest, um die untere Schutzabdeckung (Blattschutz) vollständig in den Sägeblattdeckel zurückzuziehen, und entnehmen Sie das Sägeblatt.

2. Einbauen des Sägeblattes

(1) Sägemehl von Achse und Unterlegscheiben abwischen.

(2) Gemäß **Abb. 9** muß die Seite der Unterlegscheibe (A) mit einem vorstehenden Mittelstück mit demselben Durchmesser wie der Innendurchmesser des Sägeblattes und die konkave Seite der Unterlegscheibe (B) an beiden Seiten des Sägeblattes angebracht werden.

* Im Lieferumfang ist eine Unterlegscheibe (A) für die zwei Sägeblatttypen mit den Lochdurchmessern 16 mm und 30 mm enthalten.

(Beim Kauf der Kreissäge wird ein Unterlegscheibentyp (A) mitgeliefert).

Falls der Lochdurchmesser Ihres Sägeblattes nicht der Unterlegscheibengröße (A) entspricht, wenden Sie sich bitte an den Fachhandel, bei dem die Kreissäge gekauft wurde.

(3) Das Sägeblatt so montieren, daß der Pfeil auf dem Sägeblatt auf den Pfeil auf dem Sägeblattdeckel ausgerichtet ist.

(4) Ziehen Sie die Sechskantschraube, die das Sägeblatt zurückhält, so fest wie möglich mit den Fingern an. Drücken Sie dann den Sperrhebel hinab, fixieren Sie die Achse und ziehen Sie die Schraube fest an.

VORSICHT

Nach dem Anbringen des neuen Sägeblattes sich vergewissern, daß der Sperrhebel in die vorgeschriebene Position gestellt ist.

WARTUNG UND INSPEKTION

1. Inspektion des Sägeblattes

Da durch ein stumpfes Sägeblatt die Leistung abnimmt und ein mögliches Versagen des Motors verursacht wird, muß das Sägeblatt geschärft oder ersetzt werden, sobald Verschleiß festgestellt wird.

2. Inspektion der Befestigungsschrauben

Alle Befestigungsschrauben werden regelmäßig inspiziert und geprüft, ob sie gut angezogen sind. Wenn sich eine der Schrauben lockert, muß sie sofort wieder angezogen werden. Geschieht das nicht, kann das zu erheblichen Gefahren führen.

3. Inspektion der Kohlebürsten: (Abb. 10)

Im Motor sind Kohlebürsten verwendet, die Verbrauchsteile sind. Übermäßig abgenutzte Kohlebürsten führen zu Motor, problemen. Deshalb wird eine Kohlebürste durch eine neue ersetzt, die dieselbe Nummer trägt wie auf der Abbildung gezeigt, wenn sie teilweise oder ganz verbraucht ist. Darüber hinaus müssen die Kohlebürsten immer sauber gehalten werden und müssen sich in der Halterung frei bewegen können.

VORSICHT

- Beim Auswechseln der Kohlebürsten immer neue Hitachi-Kohlebürsten mit der in der Zeichnung festgelegten Nummer verwenden.
- Bei den Modellen C6BU2 und C7BU2 kann die Bremse ausfallen, wenn andere als die vorgeschriebenen Kohlebürsten verwendet werden.

4. Austausch einer Kohlebürste

Der Bürstendeckel wird mit einem Steckschlüssel abmontiert. Dann kann die Kohlebürste leicht entfernt werden.

5. Wartung des Motors

Die Motorwicklung ist das "Herz" des Elektrowerkzeugs. Daher ist besonders sorgfältig darauf zu achten, daß die Wicklung nicht beschädigt wird und/oder mit Öl oder Wasser in Berührung kommt.

6. Einstellen der Rechtwinkligkeit zwischen Auflage und Sägeblatt

Ursprünglich wurde der Winkel zwischen Sägeblatt und Auflage auf einen Winkel von 90° eingestellt. Geht die Rechtwinkligkeit jedoch verloren, in folgender Reihenfolge berichtigen:

- (1) Drehen Sie die Grundplatte um (Abb. 11) und lösen Sie Flügelmutter und Flügelschraube (Abb 4 (A), Abb. 4 (B)).
- (2) Einen Winkel an Auflage und Sägeblatt anlegen und die Schaftschraube mit einem Treiber drehen, um so die Auflage zu verschieben. Auflage und Sägeblatt so einstellen, daeine Rechtwinkligkeit hergestellt wird.

7. Liste der Wartungsteile

- A: Punkt Nr.
- B: Code Nr.
- C: Verwendete Anzahl
- D: Bemerkungen

ACHTUNG

Reparatur, Modifikation und Inspektion von Hitachi-Elektrowerkzeugen müssen durch ein autorisiertes Hitachi-Kundendienstzentrum durchgeführt werden. Diese Teileliste ist hilfreich, wenn sie dem autorisierten Hitachi-Kundendienstzentrum zusammen mit dem Werkzeug für Reparatur oder Wartung ausgehändigt wird.

Bei Betrieb und Wartung von Elektrowerkzeugen müssen die Sicherheitsvorschriften und Normen beachtet werden.

MODIFIKATIONEN

Hitachi-Elektrowerkzeuge werden fortwährend verbessert und modifiziert, um die neuesten technischen Fortschritte einzubauen. Dementsprechend ist es möglich, daß einige Teile (z.B. Codenummern bzw. Entwurf) ohne vorherige Benachrichtigung geändert werden.

GARANTIE

Auf Hitachi-Elektrowerkzeuge gewähren wir eine Garantie unter Zugrundelegung der jeweils geltenden gesetzlichen und landesspezifischen Bedingungen. Dieses Garantie erstreckt sich nicht auf Gehäusedefekte und nicht auf Schäden, die auf Missbrauch, bestimmungswidrigen Einsatz oder normalen Verschleiß zurückzuführen sind. Im Schadensfall senden Sie das nicht zerlegte Elektrowerkzeug zusammen mit dem GARANTIESCHEIN, den Sie am Ende der Bedienungsanleitung finden, an ein von Hitachi autorisiertes Servicecenter.

ANMERKUNG

Aufgrund des ständigen Forschungs- und Entwicklungsprogramms von HITACHI sind Änderungen der hierin gemachten technischen Angaben nicht ausgeschlossen.

Information über Betriebslärm und Vibration

Die gemessenen Werte wurden entsprechend EN60745 bestimmt und in Übereinstimmung mit ISO 4871 ausgewiesen.

Gemessener A-gewichteter Schallpegel: 101 dB(A)

Gemessener A-gewichteter Schalldruck: 90 dB(A)

Messunsicherheit KpA: 3 dB(A)

Bei der Arbeit immer einen Ohrschutz tragen.

Der typische gewogene quadratische Mittelwert für die Beschleunigung ist 2,1 m/s².

ΓΕΝΙΚΕΣ ΠΡΟΕΙΔΟΠΟΙΗΣΕΙΣ ΑΣΦΑΛΕΙΑΣ ΗΛΕΚΤΡΙΚΟΥ ΕΡΓΑΛΕΙΟΥ

⚠ ΠΡΟΣΟΧΗ

Διαβάστε όλες τις προειδοποιήσεις ασφαλείας και όλες τις οδηγίες.

Η μη τήρηση των προειδοποιήσεων και οδηγιών μπορεί να προκαλέσει ηλεκτροπληξία, πυρκαγιά και/ή σοβαρό τραυματισμό.

Φυλάξτε όλες τις προειδοποιήσεις και τις οδηγίες για μελλοντική αναφορά.

Ο όρος "ηλεκτρικό εργαλείο" στις προειδοποιήσεις αναφέρεται στο ηλεκτρικό εργαλείο (με καλώδιο) που λειτουργεί στους αγωγούς ή στο ηλεκτρικό εργαλείο που λειτουργεί στη μπαταρία (χωρίς καλώδιο).

1) Ασφάλεια χώρου εργασίας

a) **Διατηρείτε το χώρο εργασίας καθαρό και καλά φωτισμένο.**

Σε ακατάστατες ή σκοτεινές περιοχές μπορεί να προκληθούν ατυχήματα.

b) **Μην χρησιμοποιείτε τα ηλεκτρικά εργαλεία σε περιβάλλον, στο οποίο μπορεί να προκληθεί έκρηξη, όπως παρουσία εύφλεκτων υγρών, αερίων ή σκόνης.**

Τα ηλεκτρικά εργαλεία δημιουργούν σπινθήρες, οι οποίοι μπορεί να αναφλέξουν τη σκόνη ή τον καπνό.

c) **Κρατήστε τα παιδιά και τους παρευρισκόμενους μακριά όταν χρησιμοποιείτε ένα ηλεκτρικό εργαλείο.**

Αν αποσπαστεί η προσοχή σας, υπάρχει κίνδυνος να χάσετε τον έλεγχο.

2) Ηλεκτρική ασφάλεια

a) **Τα φως των ηλεκτρικών εργαλείων πρέπει να είναι κατάλληλα για τις πρίζες.**

Μην τροποποιήσετε ποτέ το φως με οποιονδήποτε τρόπο. Μην χρησιμοποιείτε φως προσαρμογής με γειωμένα ηλεκτρικά εργαλεία.

Τα μη τροποποιημένα φως και οι κατάλληλες πρίζες μειώνουν τον κίνδυνο ηλεκτροπληξίας.

b) **Αποφύγετε τη σωματική επαφή με γειωμένες επιφάνειες όπως σωλήνες, θερμάστρες, μαγειρικές συσκευές και ψυγεία.**

Υπάρχει αυξημένος κίνδυνος ηλεκτροπληξίας όταν το σώμα σας είναι γειωμένο.

c) **Μην εκθέτετε τα ηλεκτρικά εργαλεία στη βροχή ή σε συνθήκες υγρασίας.**

Το νερό που εισέρχεται σε ένα ηλεκτρικό εργαλείο αυξάνει τον κίνδυνο ηλεκτροπληξίας.

d) **Μην ασκείτε δύναμη στο καλώδιο. Μην χρησιμοποιείτε ποτέ το καλώδιο για να μεταφέρετε, να τραβήξετε ή να βγάλετε από την πρίζα το ηλεκτρικό εργαλείο.**

Κρατήστε το καλώδιο μακριά από θερμότητα, λάδι, κορτερές γωνίες και κινούμενα μέρη.

Τα κατεστραμμένα ή μηρδεμένα καλώδια αυξάνουν τον κίνδυνο ηλεκτροπληξίας.

e) **Όταν χρησιμοποιείτε το εργαλείο σε εξωτερικό χώρο, χρησιμοποιήστε καλώδιο προέκτασης που προορίζεται για χρήση σε εξωτερικό χώρο.**

Η χρήση ενός καλώδιου κατάλληλου για εξωτερικό χώρο μειώνει τον κίνδυνο ηλεκτροπληξίας.

f) **Αν είναι αναπόφευκτη η λειτουργία ενός ηλεκτρικού εργαλείου σε χώρο με υγρασία, χρησιμοποιείτε διάταξη προστασίας ρεύματος διαρροής (RCD).**

Η χρήση της RCD μειώνει τον κίνδυνο ηλεκτροπληξίας.

3) Προσωπική ασφάλεια

a) **Να είστε σε ετοιμότητα, να βλέπετε αυτό που κάνετε και να χρησιμοποιείτε την κοινή λογική όταν χρησιμοποιείτε ένα ηλεκτρικό εργαλείο.**

Μην χρησιμοποιείτε ηλεκτρικά εργαλεία όταν είστε κουρασμένοι ή υπό την επήρεια ναρκωτικών ουσιών, οινόπνευματος ή φαρμάκων.

Μια στιγμή απροσεξίας κατά τη χρήση ενός ηλεκτρικού εργαλείου μπορεί να προκαλέσει σοβαρό προσωπικό τραυματισμό.

b) **Χρησιμοποιείτε προσωπικό προστατευτικό εξοπλισμό. Φοράτε πάντα προστασία για τα μάτια.**

Ο προστατευτικός εξοπλισμός, όπως μάσκα για τη σκόνη, αντιολισθητικά παπούτσια, σκληρό καπέλο ή προστασία για τα αυτιά, που χρησιμοποιείται για ανάλογες συνθήκες μπορεί να μειώσει τους τραυματισμούς.

c) **Προλαμβάνετε τυχόν ακούσια εκκίνηση. Βεβαιωθείτε ότι ο διακόπτης είναι σε θέση απενεργοποίησης πριν συνδέσετε τη συσκευή με πηγή ρεύματος και/ή τη θήκη των μπαταρίας, πριν σηκώσετε ή μεταφέρετε το εργαλείο.**

Η μεταφορά ηλεκτρικού εργαλείου με τα δάχτυλά σας στο διακόπτη ή η ηλεκτροδότηση ηλεκτρικού εργαλείου με ενεργοποιημένο το διακόπτη μπορεί να προκαλέσουν ατυχήματα.

d) **Να αφαιρείτε τυχόν κλειδιά ρυθμιζόμενου ανοίγματος ή τα απλά κλειδιά πριν θέσετε σε λειτουργία το ηλεκτρικό εργαλείο.**

Ένα απλό κλειδί ή ένα κλειδί ρυθμιζόμενου ανοίγματος που είναι προσαρτημένο σε περιστρεφόμενο εξάρτημα του ηλεκτρικού εργαλείου μπορεί να προκαλέσει προσωπικό τραυματισμό.

e) **Μην τεντώνεστε. Να διατηρείτε πάντοτε το κατάλληλο πάτημα και την ισορροπία σας.**

Με αυτόν τον τρόπο μπορείτε να ελέγχετε καλύτερα το ηλεκτρικό εργαλείο σε μη αναμενόμενες καταστάσεις.

f) **Να είστε γυμνίτοι κατάλληλα. Μην φοράτε φαρδιά ρούχα ή κοσμήματα. Να κρατάτε τα μαλλιά σας, τα ρούχα σας και τα γάντια σας μακριά από κινούμενα μέρη.**

Τα φαρδιά ρούχα, τα κοσμήματα και τα μακριά μαλλιά μπορεί να πιαστούν σε κινούμενα μέρη.

g) **Αν παρέχονται εξαρτήματα για τη σύνδεση συσκευών εξαγωγής και συλλογής σκόνης, να βεβαιώνετε ότι είναι συνδεδεμένα και χρησιμοποιούνται με το σωστό τρόπο.**

Η χρήση συλλέκτη σκόνης μειώνει τους κινδύνους που προέρχονται από τη σκόνη.

4) Χρήση και φροντίδα ηλεκτρικών εργαλείων

a) **Μην ασκείτε δύναμη στο ηλεκτρικό εργαλείο. Να χρησιμοποιείτε το ηλεκτρικό εργαλείο που είναι κατάλληλο για το είδος της εργασίας που εκτελείτε.**

Το κατάλληλο ηλεκτρικό εργαλείο θα εκτελέσει την εργασία καλύτερα και με μεγαλύτερη ασφάλεια με τον τρόπο που σχεδιάστηκε.

b) **Μην χρησιμοποιήσετε το ηλεκτρικό εργαλείο αν ο διακόπτης λειτουργίας δεν ανοίγει και δεν κλείνει.**

Ένα ηλεκτρικό εργαλείο που δεν ελέγχεται από το διακόπτη λειτουργίας είναι επικίνδυνο και πρέπει να επισκευαστεί.

c) **Αποσυνδέστε το ύψωμα από την πηγή ισχύος και/ή τη θήκη μπαταρίας από το ηλεκτρικό εργαλείο πριν προβείτε σε ρυθμίσεις, αλλαγή εξαρτήματος ή αποθήκευση του ηλεκτρικού εργαλείου.**

Αυτά τα προληπτικά μέτρα ασφαλείας μειώνουν τον κίνδυνο να ξεκινήσει το ηλεκτρικό εργαλείο κατά λάθος.

d) **Αποθηκεύετε τα εργαλεία που δεν χρησιμοποιείτε μακριά από παιδιά και μην αφήνετε τα άτομα που δεν είναι εξοικειωμένα με το ηλεκτρικό εργαλείο ή με αυτές τις οδηγίες να χρησιμοποιούν το ηλεκτρικό εργαλείο.**

Τα ηλεκτρικά εργαλεία είναι επικίνδυνα στα χέρια μη εκπαιδευμένων ατόμων.

- e) Συντηρείτε τα ηλεκτρικά εργαλεία. Να ελέγχετε την ευθυγράμμιση τους ή το μπλοκάρισμα των κινούμενων μερών, τη θραύση των εξαρτημάτων και οποιαδήποτε άλλη κατάσταση που ενδέχεται να επηρεάσει τη λειτουργία του ηλεκτρικού εργαλείου.

Σε περίπτωση βλάβης, το ηλεκτρικό εργαλείο πρέπει να επισκευαστεί πριν χρησιμοποιηθεί.

Πολλά ατυχήματα προκαλούνται από ηλεκτρικά εργαλεία που δεν έχουν συντηρηθεί σωστά.

- f) Διατηρείτε τα εργαλεία κοπής κοφτερά και καθαρά. Τα κατάλληλα συντηρημένα εργαλεία κοπής με κοφτερές γωνίες μπλοκάρουν πιο δύσκολα και ελέγχονται πιο εύκολα.

- g) Χρησιμοποιείτε το ηλεκτρικό εργαλείο, τα εξαρτήματα και τα μέρη κ.τ.λ. σύμφωνα με τις παρούσες οδηγίες, λαμβάνοντας υπόψη τις συνθήκες εργασίας και την εργασία που θα εκτελέσετε.

Η χρήση του ηλεκτρικού εργαλείου για εργασίες πέρα από εκείνες για τις οποίες προορίζεται, ενδέχεται να δημιουργήσει κινδύνους.

5) Σέρβις

- a) Να δίνετε το ηλεκτρικό εργαλείο για σέρβις σε κατάλληλα εκπαιδευμένα άτομα και να χρησιμοποιείτε μόνο γνήσια ανταλλακτικά.

Με αυτόν τον τρόπο είστε σίγουροι για την ασφάλεια του ηλεκτρικού εργαλείου.

ΠΡΟΦΥΛΑΞΗ

Μακριά από τα παιδιά και τους αναπήρους.

Όταν δεν χρησιμοποιούνται, τα εργαλεία πρέπει να φυλάζονται μακριά από τα παιδιά και τους αναπήρους.

ΚΑΝΟΝΕΣ ΑΣΦΑΛΕΙΑΣ ΓΙΑ ΟΛΑ ΤΑ ΠΡΙΟΝΙΑ

- a) **ΠΡΟΣΟΧΗ:** Κρατάτε τα χέρια σας μακριά από την περιοχή κοπής και από τη λεπίδα. Φροντίζετε να ακουμπάτε το άλλο σας χέρι στη βοηθητική λαβή ή στο καπάκι της μηχανής.

Αν κρατάτε το πριόνι και με τα δύο χέρια, δεν κινδυνεύετε να κοπείτε από τη λεπίδα.

- b) **Μη σκύβετε κάτω από το τεμάχιο εργασίας.** Το προστατευτικό κάλυμμα δεν μπορεί να σας προφυλάξει από τη λεπίδα κάτω από το τεμάχιο εργασίας.

- c) **Ρυθμίζετε το βάθος κοπής με βάση το πάχος του τεμαχίου εργασίας.** Κάτω από το τεμάχιο εργασίας πρέπει να είναι ορατό λιγότερο από ένα δόντι της λεπίδας.

- d) **Μην κρατάτε ποτέ με τα χέρια σας ή ανάμεσα στα πόδια σας το κομμάτι που κόβετε. Ασφαλίστε το τεμάχιο εργασίας σε σταθερή βάση.**

Είναι σημαντικό να υποστηρίζετε σωστά το κομμάτι με το οποίο εργάζεστε για να ελαχιστοποιείτε την έκθεση του σώματος, το μπλοκάρισμα της λεπίδας ή την απώλεια ελέγχου.

- e) **Όταν υπάρχει κίνδυνος το εργαλείο κοπής να ακουμπήσει κρυμμένα καλώδια ή το δικό του καλώδιο, φροντίστε να κρατάτε το εργαλείο από τις μονωμένες λαβές του.**

Η επαφή με ένα ηλεκτροφόρο καλώδιο θα καταστήσει δυνατή τη μεταφορά ηλεκτρικού ρεύματος στα μεταλλικά μέρη του εργαλείου και θα προκαλέσει ηλεκτροπληξία στο χειριστή.

- f) **Όταν πριονίζετε, να χρησιμοποιείτε πάντοτε προστατευτικό κάλυμμα κοπής ή οδηγό.**

Με τον τρόπο αυτό βελτιώνεται η ακρίβεια της κοπής και μειώνεται ο κίνδυνος να μπλοκάρει η λεπίδα.

- g) **Να χρησιμοποιείτε πάντοτε λεπίδες με αξονικές οπές κατάλληλου μεγέθους και σχήματος (ρόμβος ή κύκλος).** Οι λεπίδες που δεν ταιριάζουν απόλυτα στα σημεία προσαρμογής τους στο πριόνι κινούνται εκκεντρα και προκαλούν απώλεια του ελέγχου.

- h) **Μη χρησιμοποιείτε ποτέ κατεστραμμένες ή ακατάλληλες ροδέλες και μπουλόνια.**

Οι ροδέλες και τα μπουλόνια της λεπίδας έχουν σχεδιαστεί ειδικά για το πριόνι σας ώστε να επιτυγχάνεται η καλύτερη δυνατή απόδοση με τη μεγαλύτερη δυνατή ασφάλεια.

ΠΡΟΣΘΕΤΑ ΚΑΝΟΝΕΣ ΑΣΦΑΛΕΙΑΣ ΓΙΑ ΟΛΑ ΤΑ ΠΡΙΟΝΙΑ

Αιτίες και παρεμπόδιση της ανάκρουσης από το χειριστή:

- η ανάκρουση είναι μια ξαφνική αντίδραση που προκαλείται από μάγκωμα, μπλοκάρισμα ή κακά ευθυγραμμισμένη λεπίδα και η οποία έχει ως αποτέλεσμα το ανασήκωμα του πριονιού και την απομάκρυνσή του από το τεμάχιο εργασίας προς την πλευρά του χειριστή;
- όταν η λεπίδα μαγκώσει ή μπλοκάρει στο κλείσιμο της εγκοπής ακινητοποιείται και, εξαιτίας της αντίδρασης του κινητήρα, το εργαλείο κινείται απότομα προς τα πίσω, προς την πλευρά του χειριστή;
- αν η λεπίδα παραμορφωθεί ή χάσει την ευθυγράμμιση της μέσα στην εγκοπή, τα δόντια στο πίσω μέρος της λεπίδας μπορεί να σκάψουν την επάνω πλευρά του ξύλου και να προκαλέσουν έξοδο της λεπίδας από την εγκοπή και αναπήδηση προς τον χειριστή.

Η ανάκρουση είναι αποτέλεσμα κακής χρήσης του εργαλείου ή/και λαθεμένων διαδικασιών ή συνθηκών χρήσης και μπορεί να αποφευχθεί με την εφαρμογή των παρακάτω προφυλάξεων.

- a) **Κρατάτε σφικτά και με τα δύο χέρια το πριόνι και τοποθετήστε τους βραχιόνες σας με τέτοιο τρόπο ώστε να αντιστέκεστε στις δυνάμεις ανάκρουσης.**

Τοποθετήστε το σώμα σας σε μία από τις δύο πλευρές της λεπίδας, όχι όμως στην ίδια ευθεία με τη λεπίδα.

Η ανάκρουση μπορεί να κάνει το πριόνι να αναπηδά, αλλά οι δυνάμεις ανάκρουσης μπορούν να ελέγχονται από το χειριστή, αν έχουν ληφθεί οι κατάλληλες προφυλάξεις.

- b) **Όταν η λεπίδα "κολλήσει" ή όταν διακόψετε την κοπή για οποιονδήποτε λόγο, αφήστε τη σκανδάλη και κρατήστε το πριόνι ακίνητο μέσα στο υλικό μέχρι να σταματήσει εντελώς η λεπίδα.**

Μην προσπαθήσετε ποτέ να απομακρύνετε το πριόνι από το σημείο της εργασίας ή να το τραβήξετε προς τα πίσω ενώ η λεπίδα κινείται ακόμα. Μπορεί να προκληθεί ανάκρουση.

Ελέγξτε και εκτελέστε τις απαραίτητες ενέργειες για τη διόρθωση του προβλήματος που προκάλεσε το μπλοκάρισμα της λεπίδας.

- c) **Όταν θέσετε και πάλι σε λειτουργία το πριόνι, φροντίστε να κεντράρετε τη λεπίδα μέσα στην εγκοπή και βεβαιωθείτε ότι τα δόντια της λεπίδας δεν είναι μπλοκαρισμένα μέσα στο υλικό.**

Αν η λεπίδα "κολλήσει", μπορεί να προκληθεί ανάκρουση μόλις αρχίσει να λειτουργεί το πριόνι.

- d) Να υποστηρίζετε τα μεγάλα κομμάτια ξύλου για να ελαχιστοποιήσετε το κίνδυνο να μαγκώσει η λεπίδα και να προκληθεί ανάκρουση.

Τα μεγάλα κομμάτια λυγίζουν κάτω από το βάρος τους. Θα πρέπει να τοποθετείτε στηρίγματα και στις δύο πλευρές του ξύλου, κοντά στη γραμμή κοπής και κοντά στην άκρη του.

- e) **Μη χρησιμοποιείτε φθαρμένες ή κατεστραμμένες λεπίδες.**
Οι μη ακονισμένες ή ακατάλληλα τοποθετημένες λεπίδες δημιουργούν στενή εγκοπή προκαλώντας υπερβολικές τριβές, “κόλλημα” της λεπίδας και ανάκρουση.
- f) **Οι μοχλοί κλειδώματος θάβους και κλίσης κοπής πρέπει να είναι σφιγμένοι και ασφαλισμένοι πριν αρχίσετε να χρησιμοποιείτε το πριόνι.**
Αν οι ρυθμίσεις της λεπίδας αλλάξουν ενώ εργάζεστε, μπορεί να προκληθεί “κόλλημα” της λεπίδας και ανάκρουση.
- g) **Να είστε ιδιαίτερα προσεκτικοί όταν κάνετε “θαθίες κοπές” σε τοίχους ή άλλες τυφλές περιοχές.**
Η προσέχουσα λεπίδα μπορεί να κόψει αντικείμενα που ενδέχεται να προκαλέσουν ανάκρουση.

ΟΔΗΓΙΕΣ ΑΣΦΑΛΕΙΑΣ ΓΙΑ ΤΟ ΔΙΣΚΟΠΡΙΟΝΟ ΜΕ ΕΚΚΡΕΜΕΣ ΚΑΛΥΜΜΑ Ή ΚΥΛΙΝΔΡΙΚΟ ΚΑΛΥΜΜΑ

- a) Πριν από κάθε χρήση, να ελέγχετε αν είναι καλά κλεισμένο το κάτω προστατευτικό κάλυμμα. **Μη χρησιμοποιείτε το πριόνι αν το κάτω προστατευτικό κάλυμμα δεν κινείται ελεύθερα και δεν κλείνει αμέσως. Ποτέ μη στερεώνετε ή δένετε το κάτω προστατευτικό κάλυμμα στην ανοικτή θέση.**

Αν το πριόνι πέσει κατά λάθος, το κάτω προστατευτικό κάλυμμα μπορεί να στραβώσει. Ανασηκώστε το με τη λαβή ανύψωσης και βεβαιωθείτε ότι κινείται ελεύθερα και δεν έρχεται σε επαφή με τη λεπίδα ή κάποιο άλλο σημείο, σε όλες τις γωνίες και σε όλα τα βάθη κοπής.

- b) **Ελέγξτε τη λειτουργία του ελατηρίου του κάτω προστατευτικού καλύμματος. Αν το κάλυμμα και το ελατήριο δεν λειτουργούν κανονικά, θα πρέπει να επιδιορθωθούν πριν χρησιμοποιήσετε το πριόνι.**
Το κάτω προστατευτικό κάλυμμα μπορεί να κινείται αργά λόγω κάποιου κατεστραμμένου τμήματος, κολλώδους ουσίας ή συγκέντρωσης υπολειμμάτων.
- c) **Το κάτω προστατευτικό κάλυμμα θα πρέπει να τραβηχτεί με το χέρι μόνο σε περιπτώσεις ειδικών εργασιών όπως “θαθίες κοπές” και “σύνθετες κοπές”. Χρησιμοποιήστε το μοχλό για να ανασηκώσετε το κάλυμμα. Μόλις η λεπίδα εισχωρήσει στο υλικό, απελευθερώστε το κάτω προστατευτικό κάλυμμα.**

Σε όλες τις άλλες εργασίες, το κάτω προστατευτικό κάλυμμα θα πρέπει να λειτουργεί αυτόματα.

- d) **Πριν ακουμπήσετε το πριόνι σε πάγκο ή στο δάπεδο, να βεβαιώνεστε πάντοτε ότι το κάτω προστατευτικό κάλυμμα καλύπτει τη λεπίδα.**

Μια μη καλυμμένη λεπίδα θα προκαλέσει κίνηση του πριονιού προς τα πίσω και θα κόβει ότι βρίσκεται στο δρόμο της.

Εξακριβώστε το χρόνο που απαιτείται για να σταματήσει η λεπίδα αφού απελευθερώσετε το διακόπτη.

ΠΡΟΣΘΕΤΕΣ ΟΔΗΓΙΕΣ ΑΣΦΑΛΕΙΑΣ ΓΙΑ ΟΛΑ ΤΑ ΠΡΙΟΝΙΑ ΜΕ ΔΙΑΧΩΡΙΣΤΙΚΑ ΜΑΧΑΙΡΙΑ

- a) **Χρησιμοποιήστε το κατάλληλο διαχωριστικό μαχαίρι για τη λεπίδα σε χρήση.**

Το διαχωριστικό μαχαίρι για να λειτουργήσει πρέπει να είναι παχύτερο από το σώμα της λεπίδας, αλλά λεπτότερο από το σετ δοντιών της λεπίδας.

- b) **Ρυθμίστε το διαχωριστικό μαχαίρι όπως περιγράφεται σε αυτές τις οδηγίες χειρισμού.**

Λαθωμένη διάταξη και ευθυγράμμιση μπορούν να κάνουν το διαχωριστικό μαχαίρι αναποτελεσματικό στο να αποφεύγεται κλώτσημα.

- c) **Χρησιμοποιήστε πάντα το διαχωριστικό μαχαίρι εκτός από την τόννευση εγκοπών.**

Το διαχωριστικό μαχαίρι πρέπει να επανατοποθετηθεί μετά την τόννευση εγκοπών. Το διαχωριστικό μαχαίρι δημιουργεί παρεμβολή κατά τη διάρκεια της τόννευσης εγκοπών και μπορεί να προκαλέσει κλώτσημα.

- d) **Για να λειτουργήσει το διαχωριστικό μαχαίρι, πρέπει να εμπλακεί στο αντικείμενο εργασίας.**

Το διαχωριστικό μαχαίρι είναι αναποτελεσματικό στο να αποφεύγεται κλώτσημα σε κοψίματα μικρής διάρκειας.

- e) **Μη λειτουργείτε το πριόνι εάν το διαχωριστικό μαχαίρι είναι λυγισμένο.**

Ακόμα και μια μικρή παρεμβολή μπορεί να καθυστερήσει το ρυθμό κλεισίματος του προφυλακτήρα.

ΠΡΟΦΥΛΑΚΤΙΚΑ ΜΕΤΡΑ ΓΙΑ ΤΗΝ ΧΡΗΣΗ ΤΟΥ ΔΙΣΚΟΠΡΙΟΝΟΥ

- Μην χρησιμοποιήσετε παραμορφωμένες ή ραγισμένες πριονωτές λεπίδες.
- Μην χρησιμοποιήσετε πριονωτές λεπίδες που είναι φτιαγμένες από ασάβλι ταχείας κοπής.
- Μην χρησιμοποιήσετε πριονωτές λεπίδες που δεν είναι εναρμονισμένες με τα χαρακτηριστικά που καθορίζονται σε αυτές τις οδηγίες.
- Μην σταματάτε τις πριονωτές λεπίδες, εφαρμόζοντας πλευρική πίεση στο δίσκο.
- Πάντοτε διατηρείτε τις πριονωτές λεπίδες, κοφτερές.
- Σιγουρευτείτε ότι ο κάτω προφυλακτήρας κινείται ομαλά και ελεύθερα.
- Ποτέ μη χρησιμοποιείτε το δισκοπρίονο με τον κάτω προφυλακτήρα ανοικτό.
- Εξασφαλίστε ότι ο μηχανισμός ανάκλησης του συστήματος του προφυλακτήρα λειτουργεί σωστά.
- Το πάχος των πριονωτών λεπίδων πρέπει να είναι μικρότερο από το πάχος του διαχωριστικού μαχαίριου και του πλάτους της κοπής, ή η εγκοπή (με το σετ των δοντιών) θα πρέπει να είναι παχύτερη από το διαχωριστικό μαχαίρι.
- Ποτέ μην λειτουργείτε το δισκοπρίονο με την πριονωτή λεπίδα προς τα επάνω ή στα πλάγια.
- Εξασφαλίστε ότι το υλικό δεν περιέχει ξένα αντικείμενα όπως καρφιά.
- Το διαχωριστικό μαχαίρι πρέπει πάντοτε να χρησιμοποιείται εκτός όταν μπαίνει στο μέσον του κομματιού εργασίας.13. For model C 6BU, the saw blades range should be from 165 mm to 150 mm.

- Για τα μοντέλα C6U2 και C6BU2, οι πρινωτές λεπίδες πρέπει να είναι από 165 mm μέχρι 162 mm. Για τα μοντέλα C7U2 και C7BU2, οι πρινωτές λεπίδες πρέπει να είναι από 190 mm μέχρι 185 mm.
- Για τα μοντέλα C6BU2 και C7BU2, προσέξτε το κλώτσημα του φρένου. Τα μοντέλα C6BU2 και C7BU2 έχουν ένα ηλεκτρικό φρένο που λειτουργεί όταν ελευθερωθεί ο διακόπτης. Επειδή υπάρχει κάποιο κλώτσημα όταν λειτουργεί το φρένο, σιγουρευτείτε ότι κρατάτε το κυρίως σώμα σταθερό.
- Σπίθες μπορούν μερικές φορές να εμφανιστούν, που προκαλούνται από την λειτουργία του φρεναρίσματος όταν ο διακόπτης κλείσει επειδή τα μοντέλα C6BU2 και C7BU2 έχουν ηλεκτρικά φρένα. Να γνωρίζετε, όμως, ότι αυτό το φαινόμενο δεν αποτελεί πρόβλημα της μηχανής.
- Για τα μοντέλα C6BU2 και C7BU2, όταν το φρένο γίνει αναποτελεσματικό, αντικαταστήστε τα καρβουνάκια με καινούργια.
- Αποσυνδέστε το βίσμα από την παροχή πριν εκτελέσετε την οποιαδήποτε ρύθμιση, σέρβις ή συντήρηση.

ΤΕΧΝΙΚΑ ΧΑΡΑΚΤΗΡΙΣΤΙΚΑ

Μοντέλο	C6U2	C6BU2	C7U2	C7BU2
Τάση (ανά περιοχές)*	(110 V, 230 V) ~			
Βάθος κοπής	90°	54 mm		66 mm
	45°	39 mm		48 mm
Ισχύς εισόδου*	1100 W			1200 W
Ταχύτητα χωρίς φορτίο	5500 min ⁻¹			
Βάρος (χωρίς καλώδιο)	3,5 kg			4,0 kg

* Βεβαιωθείτε να ελέγξετε την πινακίδα στο προϊόν επειδή υπόκεινται σε αλλαγή σε εξάρτηση από την περιοχή.

ΚΑΝΟΝΙΚΑ ΕΞΑΡΤΗΜΑΤΑ

- Πριονωτή λεπίδα (στερεωμένη στο εργαλείο) ... 1
(Διαμ. 165 mm ... C6U2, C6BU2)
(Διαμ. 190 mm ... C7U2, C7BU2)
 - Εξάγωνο κλειδί, άλεν 1
 - Οδηγός 1
 - Φτερωτό μπουλόνι 1
 - Μοχλός (κοντός) 1
 - Συλλογέα ακόντης 1
- Τα κανονικά εξαρτήματα υπόκεινται σε αλλαγή χωρίς προειδοποίηση.

ΠΡΟΑΙΡΕΤΙΚΑ ΕΞΑΡΤΗΜΑΤΑ

(Πωλούνται ξεχωριστά)

- Ροδέλα (A) ... για 16 mm (Διαμ. τρύπας της πριονωτής λεπίδας)
... για 30 mm (Διαμ. τρύπας της πριονωτής λεπίδας)
- Προσαρμογέας αντελάσματος (Βλέπε **Εικ. 13**)
Βίδωμα και αφαίρεση μικρών βιδών, μικρών μπουλονιών, κλπ.

ΕΦΑΡΜΟΓΕΣ

Κόψιμο διάφορων τύπων ξύλου.

ΠΡΙΝ ΤΗ ΛΕΙΤΟΥΡΓΙΑ

1. Πηγή ρεύματος

Βεβαιωθείτε ότι η πηγή ρεύματος που πρόκειται να χρησιμοποιηθεί είναι εναρμονισμένη με τις απαιτήσεις σε ρεύμα που αναφέρεται στην πινακίδα του εργαλείου.

2. Διακόπτης ρεύματος

Βεβαιωθείτε ότι ο διακόπτης ρεύματος βρίσκεται στη θέση OFF. Αν το βίσμα είναι στη μπρίζα καθώς ο διακόπτης ρεύματος βρίσκεται στο ON, το εργαλείο θα αρχίσει να λειτουργεί αμέσως, με πιθανότητα πρόκλησης σοβαρού ατυχήματος.

3. Καλώδιο προέκτασης

Όταν ο χώρος εργασίας βρίσκεται μακριά από την παροχή ρεύματος. Χρησιμοποιήστε ένα καλώδιο προέκτασης με κατάλληλο πάχος και ικανότητα μεταφοράς ρεύματος. Το καλώδιο προέκτασης πρέπει να είναι τόσο κοντό όσο είναι πρακτικά δυνατό.

4. Ετοιμάστε ένα ξύλινο πάγκο εργασίας (Εικ. 1)

Επειδή η πριονωτή λεπίδα επεκτείνεται πέρα από την κατώτερη επιφάνεια της ξυλείας, τοποθετήστε τη ξυλεία πάνω σε ένα πάγκο εργασίας όταν κόβετε. Αν χρησιμοποιείται ένα τετράγωνο αντικείμενο ως πάγκο εργασίας, επιλέξτε ένα επίπεδο έδαφος για να εξασφαλίσετε ότι τμήμα του έχει σταθεροποιηθεί κατάλληλα. Ένας ασταθής πάγκος εργασίας θα προκαλέσει την επικίνδυνη λειτουργία.

ΠΡΟΣΟΧΗ

Για την αποφυγή ενός πιθανού ατυχήματος, πάντοτε να εξασφαλίσετε ότι το τμήμα της ξυλείας που απομένει μετά την κοπή είναι στερεωμένο με ασφάλεια ή κρατιέται στη θέση του.

ΡΥΘΜΙΣΗ ΤΟΥ ΠΡΙΟΝΙΟΥ ΠΡΙΝ ΤΗ ΧΡΗΣΗ

1. Ρύθμιση του βάθους κοπής

Όπως φαίνεται στην **Εικ. 2**, κρατάτε τη λαβή με το ένα χέρι καθώς ξεσφίγγετε το κουμπί με το άλλο. Το βάθος κοπής μπορεί να ρυθμιστεί μετακινώντας τη βάση στην επιθυμητή θέση. Με τέτοιο τρόπο ρυθμίστε το βάθος κοπής και μετά ξανασφίξτε γερά το κουμπί.

2. Ρύθμιση του διαχωριστικού μαχαίριου

Ξεσφίξτε το Εξάγωνο μπουλόνι που σφίγγει το διαχωριστικό μαχαίρι, ρυθμίστε το διαχωριστικό μαχαίρι με τρόπο που η απόσταση μεταξύ του διαχωριστικού μαχαίριου και της περιφέρειας του δίσκου να μη είναι πάνω από 3 mm, και η περιφέρεια του δίσκου να μην εξέχει περισσότερο από 3 mm από το κάτω άκρο του διαχωριστικού μαχαίριου (**Εικ. 3**), και ξανασφίξτε καλά το μπουλόνι.

3. Ρύθμιση της γωνίας κλίσης

Όπως φαίνεται στις **Εικ. 4 (Α)**, **Εικ. 4 (Β)**, ξεσφίγγοντας το Φτερωτό παξιμάδι στο μετρητή κλίσης και το Φτερωτό μπουλόνι στη βάση, η πριονωτή λεπίδα μπορεί να πάρει κλίση με μέγιστη γωνία 45ο σε σχέση με τη βάση. Μετά τη ολοκλήρωση της ρύθμισης, βεβαιωθείτε ότι το Φτερωτό παξιμάδι και το Φτερωτό μπουλόνι έχουν σφίξει καλά.

4. Ρύθμιση του οδηγού (Εικ. 5)

Η θέση κοψίματος μπορεί να ρυθμιστεί μετακινώντας τον οδηγό προς τα αριστερά ή προς τα δεξιά μετά το Ξεσφίγμα του φτερωτού μπουλονιού. Ο οδηγός μπορεί να στερεωθεί στην οποιαδήποτε αριστερή ή δεξιά πλευρά του εργαλείου.

5. Προσαρμογή του οδηγητικού κομματιού

Στο δισκοπρίονο είναι δυνατόν να ρυθμίσετε την ακριβή θέση στερέωσης του οδηγητικού κομματιού, εκεί όπου η πριονωτή λεπίδα και η προσημειωμένη γραμμή πρόκειται να ευθυγραμμιστούν.

Κατά την αποστολή του πριονιού από το εργοστάσιο, το ευθύγραμμο τμήμα της μπροστινής κλίμακας στο οδηγητικό κομμάτι είναι ευθυγραμμισμένο με την κεντρική θέση της πριονωτής λεπίδας (**Εικ. 6**).

Ξεσφίξτε τη βίδα M4 που βρίσκεται πάνω στο οδηγητικό κομμάτι, εάν η θέση που είναι σφισμένη είναι λάθος, και κάντε τις αναγκαίες ρυθμίσεις θέσεως.

6. Χρησιμοποιώντας τον συλλογέα σκόνης

Για να χρησιμοποιήσετε την απορροφητική σκούπα για να μαζέψτε το πριονίδι, συνδέστε το λάστιχο αναρρόφησης στον συλλογέα σκόνης ο οποίος είναι προσαρμοσμένος στο κυρίως σώμα με τις βίδες M4 και M5. Όταν συνδέετε τον συλλογέα σκόνης, σιγουρευτείτε να αλλάζετε πάντα τον μοχλό με τον μικρότερο την ίδια στιγμή (**Εικ. 12**).

ΠΡΟΣΟΧΗ

Συνεχής χρήση του μοχλού που είναι ενσωματωμένο στην κυρίως συσκευή πριν την έξοδο από το εργοστάσιο θα προκαλέσει φρακάρισμα στον συλλογέα σκόνης και θα δημιουργήσει παραβολή στην λειτουργία του κάτω προφυλακτήρα.

ΔΙΑΔΙΚΑΣΙΕΣ ΚΟΠΗΣ

1. Τοποθετήστε τη βάση στο υλικό, μετά ευθυγραμμίστε την προσημειωμένη γραμμή και την πριονωτή λεπίδα με το τμήμα της μπροστινής κλίμακας του οδηγητικού κομματιού μπροστά από τη βάση (**Εικ. 6**).

Όταν η βάση δεν είναι επικλινή, χρησιμοποιήστε ένα μεγάλο απόκομμα ως οδηγό (**Εικ. 6**, **Εικ. 7 (Α)**) Όταν η βάση είναι επικλινή (45 μοίρες), χρησιμοποιήστε την μικρή μπροστινή κλίμακα ως οδηγό (**Εικ. 6**, **Εικ. 7 (Β)**).

2. Εξασφαλίστε ότι ο διακόπτης ανοίγει στην θέση ON πριν η πριονωτή λεπίδα έρθει σε επαφή με την ξυλεία. Ο διακόπτης ανοίγει στη θέση ON όταν η σκανδάλη πατηθεί, και κλείνει στη θέση OFF όταν η σκανδάλη ελευθερωθεί.

3. Η μετακίνηση του πριονιού ευθύγραμμα με σταθερή ταχύτητα θα δημιουργήσει το βέλτιστο κόψιμο.

ΠΡΟΣΟΧΗ

Πριν από την κοπτική εργασία, ελέγξτε το υλικό που θα κόψετε. Αν το υλικό πιθανόν να παράγει επιβλαβή/τοξική σκόνη, φροντίστε η σκούρα σκόνης ή η σχετική συσκευή συλλογής σκόνης να είναι συνδεδεμένη καλά με το σωλήνα εξαγωγής σκόνης.

Επιπλέον να φοράτε και μάσκα σκόνης, αν υπάρχει.

Μια στρώση PFTE έχει εφαρμοστεί στις βάσεις των τύπων C6BU2 και C7BU2. Δώστε προσοχή να μη πιέζετε με δύναμη το σώμα της συσκευής καθώς αυτο έχει τη τάση να προσθέτει επιπλέον ζόρια στο μοτέρ. Χρησιμοποιώντας μια μέτρια πίεση θα κάνει το αντικείμενο προς κόψη να κινείται ευκολότερα και θα μας επιτρέψει να κόψουμε με λιγότερη προσπάθεια. Όταν προσπαθήσουμε να κόψουμε ξύλο το οποίο είναι καλυμμένο με σκληρά υλικά όπως άμμος ή γίνιαματα σιδήρου υπάρχει κίνδυνος να γρατσουνιστεί ή καταστραφεί η εξωτερική στρώση, γι αυτό δουλέψτε με προσοχή.

○ Πριν να αρχίσετε το πριόνισμα, εξασφαλίστε ότι η πριονωτή λεπίδα έχει φτάσει στην μέγιστη περιστροφική ταχύτητα.

○ Αν η πριονωτή λεπίδα σταματήσει ή προκαλέσει κάποιο αφύσικο θόρυβο κατά τη λειτουργία, κλείστε αμέσως το διακόπτη.

○ Πάντοτε να δίνεται προσοχή ώστε να αποφεύγεται το ηλεκτρικό καλώδιο να έρχεται κοντά την περιστρεφόμενη πριονωτή λεπίδα.

○ Η χρήση του κυκλικού πριονιού με τη λεπίδα στραμμένη προς τα πάνω ή πλάγια είναι πολύ επικίνδυνη. Αυτές οι ασυνήθιστες ενέργειες πρέπει να αποφεύγονται.

○ Όταν κόβετε υλικά, να φοράτε πάντοτε προστατευτικά γυαλιά.

○ Όταν έχετε τελειώσει μια εργασία, να τραβάτε το φιλ από την πρίζα.

ΣΥΝΔΕΣΗ ΚΑΙ ΑΠΟΣΥΝΔΕΣΗ ΤΗΣ ΠΡΙΟΝΩΤΗΣ ΛΕΠΙΔΑΣ**ΠΡΟΣΟΧΗ**

Για την αποφυγή σοβαρών ατυχημάτων εξασφαλίστε ότι ο διακόπτης βρίσκεται στη θέση OFF, και ότι η παροχή ρεύματος είναι αποσυνδεδεμένη.

1. Αποσύνδεση της πριονωτής λεπίδας

(1) Ρυθμίστε τον όγκο κοπής στο μέγιστο, και τοποθετήστε το Δισκοπρίονο όπως φαίνεται την **Εικ. 8**.

(2) Πιέστε τον μοχλό κλειδώματος, κλειδώστε τον άξονα, και αφαιρέστε το Εξάγωνο μπουλόνι με το Εξάγωνο κλειδί, άλεν.

(3) Καθώς κρατάτε το μοχλό του κάτω καλύμματος ασφαλείας, για να κρατήσετε το κάλυμμα ασφαλείας πλήρως συσταλάτο μέσα το κάλυμμα του πριονιού, αφαιρέστε την πριονωτή λεπίδα.

2. Σύνδεση της πριονωτής λεπίδας

(1) Αφαιρέστε καλά την οποιαδήποτε πριονόσκονη η οποία έχει εναποτεθεί στον άξονα, στο μπουλόνι και στις ροδέλες.

- (2) Όπως δείχνεται στην **Εικ. 9**, η πλευρά της Ροδέλας (A) με το προεξέχων κέντρο, που έχει την ίδια διάμετρο με την εσωτερική διάμετρο της πριονωτής λεπίδας, και η κυρτή πλευρά της Ροδέλας (B) πρέπει να τοποθετηθούν στις πλευρές της πριονωτής λεπίδας.

* Η ροδέλα (A) παρέχεται για 2 τύπους πριονωτών λεπίδων με διαμέτρους τρύπας των 16 mm και 30 mm. (Όταν αγοράζετε το Δισκοπρίονο, ένας τύπος ροδέλας (A) παρέχεται.)

- Στην περίπτωση που διάμετρος της τρύπας της πριονωτής λεπίδα σας δεν αντιστοιχεί σε αυτόν της ροδέλας (A), παρακαλώ επικοινωνήστε με το κατάστημα από το οποίο αγοράσατε το Δισκοπρίονο.
- (3) Για την διασφάλιση της κατάλληλης διεύθυνσης περιστροφής της πριονωτής λεπίδας, η διεύθυνση του βέλους στην πριονωτή λεπίδα πρέπει να συμπίπτει με την διεύθυνση του βέλους στο κάλυμμα του πριονιού.
- (4) Σφίξτε το Εξάγωνο μπουλόνι με τα χέρια σας ενώ κρατάτε τη πριονωτή λεπίδα όσο το δυνατόν περισσότερο. Μετά πιέστε τον μοχλό κλειδώματος, κλειδώστε τον άξονα, και σφίξτε καλά το μπουλόνι.

ΠΡΟΣΟΧΗ

Αφότου συνδέσετε την πριονωτή λεπίδα, επαναβεβαιώστε ότι ο μοχλός κλειδώματος είναι γερά στερεωμένος στην συνιστώμενη θέση.

ΣΥΝΤΗΡΗΣΗ ΚΑΙ ΕΠΙΘΕΩΡΗΣΗ

1. Επιθεώρηση της πριονωτής λεπίδας

Επειδή η χρήση μια αμβλύς πριονωτής λεπίδας θα περιορίσει την απόδοση και θα προκαλέσει την πιθανή δυσλειτουργία του μοτέρ, ακονίστε ή αντικαταστήστε την πριονωτή λεπίδα μόλις παρατηρηθεί φθορά.

2. Έλεγχος των βιδών στερέωσης

Ελέγχετε περιοδικά όλες τις βίδες στερέωσης και βεβαιωθείτε ότι είναι κατάλληλα σφιγμένες. Στην περίπτωση που χαλαρώσει οποιαδήποτε βίδα σφίξτε την ξανά αμέσως. Αν δεν το κάνετε αυτό μπορεί να έχει ως αποτέλεσμα το σοβαρό τραυματισμό.

3. Έλεγχος στα καρβουνάκια (Εικ. 10).

Το μοτέρ χρησιμοποιεί καρβουνάκια τα οποία είναι αναλώσιμα μέρη. Επειδή ένα υπερβολικά φθαρμένο καρβουνάκι μπορεί να προκαλέσει πρόβλημα στο μοτέρ αντικαταστήστε το καρβουνάκι με καινούργιο το οποίο έχει τον ίδιο Αριθμό άνθρακα που φαίνεται στην εικόνα όταν φθαρεί ή όταν φτάσει στο όριο φθοράς. Επιπρόσθετα, πάντοτε κρατάτε τα καρβουνάκια καθαρά και εξασφαλίστε ότι ολισθαίνουν ελεύθερα ανάμεσα στις θήκες.

ΠΡΟΣΟΧΗ

- Κατά την επανατοποθέτηση των καινούργιων καρβουνακίων, πάντοτε να χρησιμοποιείτε αυθεντικά καρβουνάκια Hitachi με σειριακό αριθμό (56) που προσδιορίζεται στο διάγραμμα.
- Στα μοντέλα C6BU2 και C7BU2, το φρένο ίσως να μη λειτουργήσει εάν χρησιμοποιηθούν καρβουνάκια διαφορετικά από τα συσιστώμενα. Όταν το φρένο γίνει μη αποτελεσματικό, αντικαταστήστε τα καρβουνάκια με καινούργια.

4. Αντικατάσταση των καρβουνακίων

Αποσυνδέστε τα καλύμματα των καρβουνακίων με ένα κατσαβίδι εγκοπτώμενης κεφαλής. Τα καρβουνάκια μπορούν μετά να αφαιρεθούν εύκολα.

5. Συντήρηση του μοτέρ

Η περιέλιξη της μονάδα του μοτέρ είναι η καρδιά του ηλεκτρικού εργαλείου. Δώστε μεγάλη προσοχή για να σιγουρευτείτε ότι η περιέλιξη δεν θα πάθει ζημιά και / ή θα βρεχθεί με λάδι ή νερό.

6. Ρύθμιση της βάσης και της πριονωτής λεπίδας για την διατήρηση της κατακόρυφου

Η γωνία μεταξύ της βάσης και της πριονωτής λεπίδας μπορεί να ρυθμιστεί στις 90°, όμως αν η κατακόρυφος χαθεί για κάποιο λόγο, ρυθμίστε κατά τον ακόλουθο τρόπο:

- (1) Γυρίστε την βάση προς τα πάνω (**Εικ. 11**) και ελευθερώστε το Φτερωτό παξιμάδι και το Φτερωτό μπουλόνι (**Εικ. 4 (A)**, **Εικ. 4 (B)**).
- (2) Εφαρμόστε ένα γνώμονα στην βάση και την πριονωτή λεπίδα και στρέψτε την βίδα με εγκοπή με το κατσαβίδι για εγκοπτώμενη κεφαλή, μετακινήστε την θέση της βάσης για να δημιουργήσετε την επιθυμητή δεξιά γωνία.

7. Λίστα συντήρησης των μερών

- A: Αρ. Αντικειμένου
B: Αρ. Κωδικού
C: Αρ. που χρησιμοποιήθηκε
D: Παρατηρήσεις

ΠΡΟΣΟΧΗ

Η επισκευή, η τροποποίηση και ο έλεγχος των Ηλεκτρικών Εργαλείων Hitachi πρέπει να γίνεται από ένα Εξεισοδοτημένο κέντρο σέρβις της Hitachi.

Αυτή η Λίστα των Μερών θα είναι χρήσιμη αν παρουσιαστεί μαζί με το εργαλείο στο εξουσιοδοτημένο Κέντρο Σέρβις της Hitachi όταν ζητάτε επισκευή ή κάποια άλλη συντήρηση.

Κατά τον έλεγχο και τη συντήρηση των ηλεκτρικών εργαλείων, οι κανόνες ασφαλείας και οι κανονισμοί που υπάρχουν σε κάθε χώρα πρέπει να ακολουθούνται.

ΤΡΟΠΟΠΟΙΗΣΗ

Τα Ηλεκτρικά Εργαλεία Hitachi βελτιώνονται συνεχώς και τροποποιούνται για να συμπεριλάβουν τις τελευταίες τεχνολογικές προόδους.

Κατά συνέπεια, ορισμένα τμήματα (δηλ. κωδικοί αριθμοί και / ή σχεδιασμός) μπορούν να αλλάξουν χωρίς προηγούμενη ειδοποίηση.

ΕΓΓΥΗΣΗ

Εγγυώμαστε τα εργαλεία Hitachi Power Tools σύμφωνα με τη νομοθεσία και τους κανονισμούς ανά χώρα. Η παρούσα εγγύηση δεν καλύπτει ελαττώματα ή ζημιές λόγω κακής χρήσης, κακοποίησης ή φυσιολογικής φθοράς. Σε περίπτωση παραπόνων παρακαλούμε αποστείλετε το Power Tool χωρίς να το αποσυναρμολογήσετε μαζί με το ΠΙΣΤΟΠΟΙΗΤΙΚΟ ΕΓΓΥΗΣΗΣ το οποίο βρίσκεται στο τέλος των οδηγιών αυτών, σε Εξουσιοδοτημένο Κέντρο Επισκευής της Hitachi.

ΣΗΜΕΙΩΣΗ

Εξαιτίας του συνεχιζόμενου προγράμματος έρευνας και ανάπτυξης της Hitachi τα τεχνικά χαρακτηριστικά που εδω αναφέρονται μπορούν να αλλάξουν χωρίς προηγούμενη ειδοποίηση.

Πληροφορίες που αφορούν τον εκπεμπόμενο θόρυβο και τη δόνηση

Οι τιμές μετρήθηκαν σύμφωνα με το EN60745 και βρέθηκαν σύμφωνες με το ISO 4871.

Μέτρηση στάθμης ισχύος ήχου εξισορροπημένου A:
101 dB(A)

Μέτρηση στάθμης πίεσης ήχου εξισορροπημένου A:
90 dB(A)

Αβεβαιότητα KpA: 3 dB(A)

Φοράτε προστατευτικά αυτιών.

Μια τυπική τιμή ρίζας μέσης τετραγωνικής επιτάχυνσης:
2,1 m/s²

OGÓLNE WSKAZÓWKI BEZPIECZEŃSTWA DOTYCZĄCE URZĄDZEŃ ELEKTRYCZNYCH

⚠ OSTRZEŻENIE

Należy dokładnie zapoznać się ze wszystkimi ostrzeżeniami i wskazówkami bezpieczeństwa.

Nieprzestrzeżenie ostrzeżeń oraz wskazówek bezpieczeństwa może spowodować porażenie prądem elektrycznym, pożar i/lub odniesienie poważnych obrażeń.

Ostrzeżenia i wskazówki bezpieczeństwa powinny być przechowywane do użycia w przyszłości.

Wykorzystywane w treści wskazówek wyrażenie "narzędzie elektryczne" dotyczy narzędzi zasilanych z sieci (przewodowych) lub z baterii (beprzewodowych).

1) Bezpieczeństwo stanowiska pracy

a) Miejsce pracy powinno być czyste i dobrze oświetlone.

Brak porządku lub nieodpowiednie oświetlenie miejsca pracy może być przyczyną wypadku.

b) Nie należy używać narzędzi elektrycznych w miejscach zagrożonych wybuchem, na przykład w pobliżu łatwopalnych cieczy, gazów lub pyłów.

Pracujące narzędzie elektryczne wytwarza iskry grożące wybuchem.

c) Dzieci oraz osoby postronne powinny pozostawać w bezpiecznej odległości od pracującego urządzenia.

Dekoncentracja może spowodować utratę kontroli nad urządzeniem.

2) Bezpieczeństwo elektryczne

a) Wtyczka narzędzia musi pasować do gniazda zasilania.

Nie wolno przerabiać wtyczki.

Narzędzia posiadające uzziemienie nie powinny być używane z wtyczkami przejściowymi.

Przestrzeżenie powyższych zaleceń dotyczących wtyczek i gniazdek pozwoli zmniejszyć ryzyko porażenia prądem elektrycznym.

b) Należy unikać dotykania jakichkolwiek powierzchni i elementów uzziemionych, takich jak rury, grzejniki, kuchenki lub urządzenia chłodnicze.

Ryzyko porażenia prądem elektrycznym jest wyższe, gdy ciało jest uzziemione.

c) Nie należy narażać narzędzi elektrycznych na działanie deszczu lub wilgoci.

Obecność wody zwiększa niebezpieczeństwo porażenia prądem elektrycznym.

d) Nie należy używać przewodu zasilającego w sposób niezgodny z przeznaczeniem. Nie wolno używać przewodu do przenoszenia lub ciągnięcia urządzenia bądź wyłączania go z prądu.

Przewód powinien znajdować się w bezpiecznej odległości od źródeł ciepła, oleju, ostrych krawędzi lub poruszających się części.

Uszkodzenie lub zapętlenie przewodu zwiększa ryzyko porażenia prądem elektrycznym.

e) W przypadku używania narzędzia elektrycznego na wolnym powietrzu należy korzystać z przedłużaczy przeznaczonych do takiego zastosowania.

Używanie odpowiednich przedłużaczy zmniejsza ryzyko porażenia prądem elektrycznym.

f) W przypadku korzystania z narzędzia w miejscu o dużej wilgotności należy zawsze używać wyłącznika różnicowoprądowego.

Korzystanie z takiego wyłącznika zmniejsza ryzyko porażenia prądem elektrycznym.

3) Bezpieczeństwo osobiste

a) Podczas korzystania z narzędzia elektrycznego należy zawsze koncentrować się na wykonywanej pracy i postępować zgodnie z zasadami zdrowego rozsądku.

Narzędzia elektryczne nie powinny być obsługiwane przez osoby zmęczone lub znajdujące się pod wpływem substancji odurzających, alkoholu bądź leków.

Chwila nieuwagi podczas obsługi narzędzia elektrycznego może spowodować odniesienie poważnych obrażeń.

b) Zawsze używać odpowiedniego osobistego wyposażenia ochronnego. Zawsze nosić odpowiednie okulary ochronne.

Stosowane w odpowiednich warunkach wyposażenie zabezpieczające, takie jak maska przeciwpyłowa, obuwie antypoślizgowe, kask lub nauszniki zmniejsza ryzyko odniesienia obrażeń ciała.

c) Uniemożliwić nieoczekiwane uruchomienie narzędzia. Przed podłączeniem narzędzia do gniazda zasilania i/lub zestawu baterii, a także przed podniesieniem lub przeniesieniem go, należy upewnić się, że wyłącznik znajduje się w położeniu wyłączenia.

Ze względów bezpieczeństwa nie należy przynosić narzędzi elektrycznych, trzymając palec na wyłączniku, ani podłączając do zasilania urządzeń, których wyłącznik znajduje się w położeniu włączenia.

d) Przed włączeniem usunąć wszystkie klucze regulacyjne.

Pozostawienie klucza regulacyjnego połączonego z częścią obrotową narzędzia może spowodować odniesienie obrażeń.

e) Nie sięgać zbyt daleko. Należy zawsze stać stabilnie, zachowując równowagę.

Zapewnia to lepsze panowanie nad narzędziem w nieoczekiwanych sytuacjach.

f) Należy nosić odpowiednią odzież roboczą. Nie nosić luźnych ubrań lub biżuterii. Trzymać włosy, odzież i rękawice w bezpiecznej odległości od ruchomych części urządzenia.

Luźne ubrania, biżuteria lub długie włosy mogą zostać wciągnięte przez ruchome części narzędzia.

g) Jeżeli wraz z narzędziem dostarczone zostało wyposażenie służące do odprowadzania pyłów, należy pamiętać o jego właściwym podłączeniu i używaniu.

Właściwe zbieranie i odprowadzanie pyłu zmniejsza zagrożenia związane z jego obecnością.

4) Obsługa i konserwacja narzędzi elektrycznych

a) Nie używać narzędzia elektrycznego ze zbyt dużą siłą. Należy stosować narzędzie odpowiednie dla wykonywanej pracy.

Narzędzie przeznaczone do określonej pracy wykona ją lepiej i w sposób bardziej bezpieczny, pracując z zalecaną prędkością.

b) Nie należy używać narzędzia, którego wyłącznik jest uszkodzony.

Każde urządzenie, które nie może być właściwie włączane i wyłączane, stanowi zagrożenie i musi zostać naprawione.

c) Należy zawsze odłączyć urządzenie z sieci zasilania i/lub baterii przed przystąpieniem do jakichkolwiek modyfikacji, wymiany akcesoriów itp. oraz kiedy urządzenie nie będzie używane przez dłuższy czas.

Powyższe środki mają na celu wyeliminowanie ryzyka nieoczekiwanego uruchomienia urządzenia.

d) Nieużywane narzędzia elektryczne powinny być przechowywane w miejscu niedostępnym dla dzieci oraz osób, które nie znają zasad ich obsługi lub niniejszych zaleceń.

Korzystanie z narzędzi elektrycznych przez osoby, które nie zostały przeszkolone, może stanowić zagrożenie.

e) Należy dbać o odpowiednią konserwację narzędzi elektrycznych. Przed rozpoczęciem pracy należy sprawdzić, czy ruchome części urządzenia nie są wygięte, uszkodzone lub pęknięte i czy nie występują jakiegokolwiek inne okoliczności, które mogłyby uniemożliwić bezpieczną pracę urządzenia.

W razie uszkodzenia przed kolejnym użyciem narzędzie musi zostać naprawione.

Wiele wypadków następuje z powodu nieprawidłowej konserwacji narzędzi elektrycznych.

- f) **Narzędzia tnące powinny być zawsze ostre i czyste.**
Narzędzia tnące powinny być utrzymywane w odpowiednim stanie, a ich krawędzie muszą być odpowiednio ostre - zmniejsza to ryzyko wygięcia i ułatwia obsługę narzędzia.
- g) **Należy zawsze obsługiwać narzędzie, jego akcesoria takie jak wiertła itp. w sposób zgodny z zaleceniami niniejszej instrukcji, biorąc pod uwagę warunki robocze oraz rodzaj wykonywanej pracy.**
Używanie narzędzia do celów niezgodnych z jego przeznaczeniem może spowodować niebezpieczeństwo.

5) Serwis

- a) **Narzędzia elektryczne mogą być naprawiane wyłącznie przez uprawnionych techników serwisowych, przy zastosowaniu oryginalnych części zamiennych.**
Zapewnia to utrzymanie bezpieczeństwa obsługi urządzenia.

UWAGA

Dzieci i osoby niepełnosprawne muszą pozostawać w bezpiecznej odległości od narzędzia.

Nie używane narzędzia elektryczne powinny być przechowywane w miejscu niedostępnym dla dzieci i osób niepełnosprawnych.

INSTRUKCJE BEZPIECZEŃSTWA DOTYCZĄCE WSZYSTKICH PIŁ

- a) **⚠ NIEBEZPIECZEŃSTWO: Należy zawsze trzymać ręce z daleka od obszaru cięcia oraz ostrza. Wolna ręka powinna znajdować się na uchwycie pomocniczym lub obudowie silnika.**
Jeżeli piła jest trzymana obiema rękami, nie istnieje zagrożenie kontaktu z ostrzem.
- b) **Nie sięgać rękami pod piłowany przedmiot.**
Ostłona nie chroni rąk użytkownika przed działaniem ostrza pod piłowanym przedmiotem.
- c) **Głębokość cięcia powinna być dopasowana do grubości piłowanego przedmiotu.**
Pod piłowanym przedmiotem powinno być widoczne mniej niż cała długość zębów ostrza.
- d) **Nie należy nigdy przytrzymywać piłowanego przedmiotu rękami lub nogą. Piłowany przedmiot musi być stabilnie przymocowany.**
Jest to niezwykle ważne, aby zminimalizować ryzyko obrażeń ciała, wygięcia ostrza lub utraty kontroli nad cięciem.
- e) **Podczas pracy należy zawsze trzymać urządzenie za izolowane uchwyty, gdyż ostrze może podczas pracy dotknąć ukrytych przewodów pod napięciem lub własnego kabla zasilającego.**
Dotknięcie niezabezpieczonego kabla może także spowodować naładowanie elektryczne metalowych części urządzenia i porażenie użytkownika prądem.
- f) **Podczas piłowania wzdłużnego należy zawsze używać prowadnicy.**
Pozwoli to zwiększyć dokładność piłowania i zmniejszy ryzyko wygięcia ostrza.
- g) **Należy zawsze używać ostrzy o odpowiednim rozmiarze i kształcie (diamentowy lub okrągły) otworów mocujących.**
Ostrza nieodpowiednie dla danego zamocowania mogą poruszać się ruchem mimośrodowym, stanowiąc dla użytkownika zagrożenie utraty panowania nad urządzeniem.

- h) **Nie należy nigdy używać uszkodzonych lub nieodpowiednich podkładek lub śrub mocujących ostrze.**

Podkładki i śruby mocujące ostrza zostały zaprojektowane specjalnie dla danego urządzenia, z myślą o zapewnieniu największej wydajności i bezpieczeństwa pracy.

DALSZE INSTRUKCJE BEZPIECZEŃSTWA DOTYCZĄCE WSZYSTKICH PIŁ

Możliwe przyczyny i zabezpieczenie użytkownika przed odrzutem (szybkim ruchem powrotnym urządzenia):

- odrzut stanowi nagły ruch urządzenia w przypadku zakleszczenia, wygięcia lub nieprawidłowego położenia ostrza, powodując, że piła zostaje nagle wyrzucona z piłowanego przedmiotu w kierunku użytkownika;
- jeżeli ostrze zostało zakleszczone lub wygięte wewnątrz szczeliny, silnik gaśnie z powodu przeciążenia, a siła reakcji odrzucza szybko piłę w kierunku użytkownika;
- jeżeli ostrze zostało wygięte lub skrócone podczas piłowania, zęby tylnie krawędzi ostrza mogą wyostać się na powierzchni drewna, powodując wypadnięcie ostrza i odrzucenie urządzenia w kierunku użytkownika.

Odrzut urządzenia jest zawsze wynikiem nieprawidłowego lub nieodpowiedniego użytkowania - można go uniknąć, stosując się do wymienionych poniżej zasad bezpieczeństwa.

- a) **Należy zawsze mocno trzymać piłę obiema rękami, utrzymując ramiona w odpowiednim położeniu, aby zamortyzować siłę odrzutu.**
Stać po jednej z dwóch stron piły, a nie na wprost.
Odrzut powoduje, że piła wypada nagle do tyłu, ale użytkownik może zawsze opanować siłę odrzutu, jeżeli tylko stosuje się do zaleceń bezpieczeństwa.
- b) **W przypadku wygięcia ostrza lub przerwania pracy z jakiegokolwiek powodu należy natychmiast zwolnić przycisk spustowy i nie wyjmować urządzenia z piłowanego materiału do chwili, kiedy całkowicie się zatrzyma.**
Nigdy nie należy usiłować wyjmować piły z materiału, kiedy ostrze jeszcze się porusza - może wówczas nastąpić odrzut.
Należy ustalić przyczynę i podjąć odpowiednie działania, aby uniknąć wyginania ostrza.
- c) **Przy ponownym uruchamianiu piły należy włożyć ostrze równo do szczeliny i sprawdzić, czy zęby nie zakleszczyły się w materiale.**
W przypadku wygięcia ostrze może nagle odskoczyć od piłowanego materiału w momencie włączenia piły.
- d) **Duże płyty powinny być odpowiednio zamocowane i podparte, aby zapobiec ryzyku zakleszczenia i odrzutu.**
Duże płyty mogą wyginać się pod własnym ciężarem. Należy więc podeprzeć je z dwóch stron w pobliżu linii cięcia i przy krawędzi płyty.
- e) **Nie używać ostrzy stępionych lub uszkodzonych.**
Nienaostzone lub uszkodzone ostrza mogą spowodować wystąpienie piłowanego materiału, co pociąga za sobą zbyt duże tarcie, wyginanie ostrza i odrzut.

- f) **Przed rozpoczęciem piłowania ogranicznik głębokości i dźwignie blokujące cięcia ukośnego muszą być właściwie założone i zamocowane.**
Jeżeli prowadnice przesuwają się podczas pracy, może to spowodować wygięcie ostrza i odrzut.
- g) **Zachować szczególną uwagę przy wykonywaniu "piłowania w głąb" ścian lub innych elementów o ograniczonej widoczności.**
Ostrze może napotkać na twarde przedmioty, co może być przyczyną odrzutu.
- c) **Należy zawsze używać klina rozszczepiającego za wyjątkiem piłowania wgłębnego.**
Po zakończeniu piłowania wgłębnego należy ponownie założyć klin rozszczepiający. Klin rozszczepiający utrudnia pracę podczas piłowania wgłębnego i może powodować odrzut.
- d) **Aby klin rozszczepiający działał prawidłowo, musi zostać właściwie wprowadzony w piłowany przedmiot.**
Klin rozszczepiający nie zabezpiecza przed odrzutem podczas wykonywania nacięć o małej długości.
- e) **Nie należy korzystać z urządzenia, jeżeli klin rozszczepiający jest wygięty.**
Nawet niewielkie nieprawidłowości mogą spowodować opóźnienie zamykania osłony.

INSTRUKCJE BEZPIECZEŃSTWA DOTYCZĄCE PIŁ Z OSŁONĄ WAHADŁOWĄ LUB ODCIĄGANĄ

- a) **Przed każdym użyciem piły sprawdzić, czy osłona dolna jest właściwie założona. Nie używać urządzenia, jeżeli osłona dolna nie porusza się swobodnie i natychmiast się zatrzymuje. Nigdy nie blokować, ani przysięgiwać osłony dolnej w położeniu otwartym.**
*W przypadku upuszczenia piły osłona dolna może się wygiąć.
Podnieść osłonę dolną za uchwyt i sprawdzić, czy porusza się swobodnie i czy nie dotyka ostrza ani innych części urządzenia pod żadnym kątem i przy żadnej głębokości cięcia.*
- b) **Sprawdzić funkcjonowanie sprężyny osłony dolnej. Jeżeli osłona lub sprężyna nie działają poprawnie, muszą zostać naprawione przed użyciem piły.**
Swobodne poruszanie się osłony może być ograniczone z powodu zabrudzenia, resztek uszkodzonych części, pozostałości materiałów lepkich lub zanieczyszczeń.
- c) **Osłona dolna może zostać odgięta ręcznie tylko w przypadku wykonywania cięcia specjalnego rodzaju, jak cięcie "w głąb" lub "w wielu kierunkach". Należy odgiąć osłonę dolną, trzymając za uchwyt i zwolnić ją natychmiast, kiedy ostrze wejdzie w materiał.**
W przypadku innych rodzajów cięcia osłona dolna działa automatycznie.
- d) **Należy zawsze sprawdzać, czy dolna osłona zastania ostrze, kiedy piła jest odkładana na bok.**
*Nieosłonięte, poruszające się ostrze może spowodować odskoczenie piły do tyłu, stanowiąc zagrożenie.
Należy zwrócić uwagę, że ostrze potrzebuje nieco czasu, aby się zatrzymać po zwolnieniu przycisku.*

DODATKOWE WSKAZÓWKI BEZPIECZEŃSTWA DOTYCZĄCE PILAREK Z KLINEM ROZSZCZEPIAJĄCYM

- a) **Należy używać klina rozszczepiającego odpowiedniego dla rodzaju używanego ostrza. Aby klin rozszczepiający pracował prawidłowo, musi on być grubszy niż korpus ostrza, ale cieńszy niż zestaw zębów ostrza.**
- b) **Należy ustawić klin rozszczepiający w sposób opisany w niniejszej instrukcji.**
Nieodpowiednie ustawienie odstępu i niewłaściwe wyrównanie może spowodować, że klin rozszczepiający nie będzie funkcjonował prawidłowo i nie będzie zabezpieczał przed odrzutem.
1. Nie używać ostrzy wygiętych lub pękniętych.
2. Nie używać ostrzy wykonanych ze stali szybkotnącej.
3. Nie używać ostrzy niezgodnych ze specyfikacją zamieszczoną w niniejszej instrukcji.
4. Nie zatrzymywać ostrza poprzez boczny nacisk na dysk.
5. Ostrza powinny zawsze być odpowiednio ostre.
6. Upewnić się, że osłona dolna porusza się gładko i swobodnie.
7. Nigdy nie używać piły tarczowej z prowadnicą dolną w położeniu otwartym.
8. Upewnić się, że mechanizm cofania osłony działa w sposób prawidłowy.
9. Korpus ostrza pilarki musi być węższy niż klin rozszczepiający, a szerokość cięcia lub szczeliny (przy użyciu zestawu zębów) musi być większa niż grubość klina rozszczepiającego.
10. Nigdy nie używać piły tarczowej z ostrzem zwróconym do góry lub na bok.
11. Upewnić się, że w piłowanym materiale nie znajdują się ciała obce, jak na przykład gwoździe.
12. Klin rozszczepiający powinien być używany zawsze oprócz piłowania wgłębnego w środku przedmiotu.
13. W przypadku modeli C6U2 i C6BU2 dopuszczalny zakres wymiarów ostrzy wynosi od 165 mm do 162 mm. W przypadku modeli C7U2 i C7BU2 dopuszczalny zakres wymiarów ostrzy wynosi od 190 mm do 185 mm.
14. W przypadku modeli C6BU2 i C7BU2 należy szczególnie uważać na możliwość odrzutu spowodowanego przez hamulec. Modele C6BU2 i C7BU2 są wyposażone w elektryczny hamulec aktywowany po zwolnieniu przycisku. Zadziałanie hamulca powoduje odrzut - należy zawsze mocno trzymać korpus urządzenia.
15. Ponieważ modele C6BU2 i C7BU2 posiadają hamulce elektryczne, po zwolnieniu przycisku w związku z zadziałaniem hamulca mogą pojawić się iskry. Nie oznacza to uszkodzenia urządzenia.
16. Jeżeli hamulec w modelach C6BU2 i C7BU2 przestał działać, należy wymienić szcztoki węglowe na nowe.
17. Wyłączyć urządzenie z prądu przed przystąpieniem do jakichkolwiek modyfikacji, prac serwisowych lub konserwacyjnych.

ŚRODKI OSTROŻNOŚCI PRZY PRACY Z PIŁĄ TARCZOWĄ

DANE TECHNICZNE

Model	C6U2	C6BU2	C7U2	C7BU2
Napięcie (w poszczególnych obszarach)*	(110 V, 230 V) ~			
Głębokość cięcia	90°	54 mm		66 mm
	45°	39 mm		48 mm
Moc wejściowa*		1100 W		1200 W
Prędkość bez obciążenia	5500 min ⁻¹			
Ciężar (bez kabla)	3,5 kg		4,0 kg	

*Sprawdź nazwę produktu, jako że ulega ona zmianie w zależności od miejsca zakupu.

AKCESORIA STANDARDOWE

- (1) Ostrze piły (montowane na narzędziu) 1
 (Śr. 165 mm C6U2, C6BU2)
 (Śr. 190 mm C7U2, C7BU2)
- (2) Klucz sześciokątny 1
 (3) Prowadnica 1
 (4) Śruba skrzydełkowa 1
 (5) Dźwignia (krótka) 1
 (6) Pojemnik na pył 1
- Aksesoria standardowe mogą ulec zmianie bez wcześniejszego zawiadomienia.

OPCJONALNE AKCESORIA (należy kupować osobno)

- (1) Podkładka (A)
 dla 16 mm (średnica otworu ostrza piły)
 dla 30 mm (średnica otworu ostrza piły)
- (2) Adapter prowadnicy (patrz **rys. 13**)

Aksesoria opcjonalne mogą ulec zmianie bez wcześniejszego zawiadomienia.

ZASTOSOWANIE

Piłowanie różnych rodzajów drewna.

PRZED UŻYCIEM

- Źródło mocy**
Upewnij się, że źródło mocy jest zgodne z wymogami mocy zaznaczonymi przy nazwie produktu.
- Przełącznik**
Upewnij się, że przełącznik jest wyłączony (pozycja OFF). Jeśli wtyczka jest włączona do prądu podczas gdy przełącznik jest włączony (pozycja ON), narzędzie zacznie działać natychmiast, co może spowodować poważny wypadek.
- Przedłużacz**
Kiedy miejsce pracy znajduje się daleko od źródła prądu, użyj przedłużacza o wystarczającym przekroju. Przedłużacz powinien być tak krótki jak tylko jest to możliwe.
- Przygotowanie stołu roboczego (rys. 1)**
Ponieważ ostrze piły będzie wykraczać poza dolną powierzchnię piłowanego elementu drewnianego, należy zawsze umieścić go na stole roboczym. Jeżeli jako stół roboczy używany jest kwadratowy klocek, należy umieścić go na równym, stabilnym podłożu. Niestabilny stół roboczy może stanowić zagrożenie dla użytkownika.

UWAGA

Aby uniknąć ryzyka wypadków, należy zawsze upewnić się, że element, który pozostanie po piłowaniu jest odpowiednio zamocowany.

REGULACJA URZĄDZENIA PRZED PRZYSTĄPIENIEM DO PRACY

- Regulacja głębokości cięcia**
Zgodnie z **rys. 2**, przytrzymać uchwyt jedną ręką, a drugą poluzować pokrętkę. Głębokość cięcia może być regulowana poprzez zmianę położenia podstawy. Należy ustawić żadaną głębokość cięcia, a następnie mocno dokręcić pokrętkę.
- Regulacja klina rozszczepiającego**
Poluzować śrubę sześciokątną mocującą klin rozszczepiający, ustawić klin rozszczepiający tak, aby odległość między klinem a obrzeżem ostrza wynosiła nie więcej niż 3 mm, a obrzeże ostrza nie wystawało o więcej niż 3 mm poza najniższą krawędź klina rozszczepiającego (**rys. 3**), a następnie mocno dokręcić śrubę.
- Regulacja kąta nachylenia**
Zgodnie z **rys. 4 (A)** i **4 (B)**, po poluzowaniu nakrętki skrzydełkowej na podziałkę kąta nachylenia oraz śruby skrzydełkowej w podstawie ostrze może zostać odchylone od podstawy maksymalnie o 45 stopni. Po zakończeniu regulacji należy mocno dokręcić nakrętkę i śrubę skrzydełkową.
- Regulacja prowadnicy (rys. 5)**
Pozycja cięcia może być regulowana poprzez przesunięcie prowadnicy w lewo lub w prawo po uprzednim poluzowaniu mocującej ją śruby skrzydełkowej. Prowadnica może zostać założona zarówno po lewej, jak i po prawej stronie urządzenia.
- Regulacja elementu prowadzącego**
W pilarec możliwe jest precyzyjne ustawienie położenia elementu prowadzącego, w przypadku gdy konieczne jest dokładne wyrównanie ostrza i zaznaczonej linii cięcia. Kiedy urządzenie jest dostarczone do klienta, część liniowa podziałki przedniej na elemencie prowadzącym jest fabrycznie wyrównana do środkowego położenia ostrza (**rys. 6**). Jeżeli położenie jest nieprawidłowe, należy poluzować śrubę M4 elementu prowadzącego i odpowiednio zmienić położenie.
- Korzystanie z pojemnika na pył**
W celu wykorzystania odkurzacza do zbierania pyłu powstającego podczas piłowania należy podłączyć rurę ssącą do pojemnika na pył, zamocowanego do jednostki głównej za pomocą śrub M4 i M5. Podczas zakładania pojemnika na pył należy zawsze zmienić dźwignię na krótką (**rys. 12**).

UWAGA

Używanie dźwigni, która została fabrycznie zamocowana do jednostki głównej, może spowodować jej wygięcie i zakłócenie pracy osłony dolnej.

PIŁOWANIE

- Umieścić podstawę na materiale, a następnie ustawić dźwignię z zaznaczoną linią i ostrze piły na równi z podziałką przednią elementu prowadzącego, znajdującego się w przedniej części podstawy (rys. 6).
Jeżeli podstawa nie jest pochylona, użyć dużego wycięcia jako wskazania (rys. 6, rys 7(A)).
Jeżeli podstawa jest pochylona (45 stopni), użyć małej podziałki przedniej jako wskazania (rys. 6, rys 7(B)).
- Przed przyłożeniem ostrza do piłowanego elementu drewnianego upewnić się, że urządzenie jest włączone. Urządzenie jest włączone, jeżeli przełącznik jest wciśnięty, a wyłączone, gdy przełącznik jest zwolniony.
- Prowadzenie pilarki wzdłuż linii prostej ze stałą prędkością zapewni optymalne rezultaty cięcia.

UWAGA

Przed rozpoczęciem cięcia zbadać rodzaj materiału. Jeśli materiał może w trakcie cięcia wytwarzać niebezpieczne/toksyczne pyły, upewnić się, że do otworu wylotowego podłączony jest worek pyłowy lub właściwy system odprowadzania pyłów.

Dodatkowo założyć maskę ochronną, jeśli jest dostępna. Podstawa modeli C6BU2 i C7BU2 pokryte są powłoką z PTFE. Nie należy dociskać urządzenia zbyt mocno, ponieważ powoduje to zwiększenie obciążenia silnika. Praca z delikatnym naciskiem umożliwi łatwiejsze prowadzenie urządzenia i lżejsze wykonywanie piłowania. Piłowanie drewna pokrytego materiałem twardym, takim jak piasek lub wióry metalu, może łatwo spowodować uszkodzenie powłoki ochronnej - należy więc zachować ostrożność.

- Przed rozpoczęciem piłowania upewnić się, że ostrze osiągnęło pełną prędkość.
- W przypadku nagłego zatrzymania piły lub nienormalnego dźwięku podczas pracy należy natychmiast wyłączyć urządzenie.
- Należy zawsze uważać, aby przewód zasilający nie znajdował się w pobliżu obracającego się ostrza.
- Używanie piły tarczowej z ostrzem skierowanym do góry lub na bok jest bardzo niebezpieczne. Należy unikać postępowania w ten sposób.
- Podczas piłowania należy zawsze nosić okulary ochronne.
- Po zakończeniu pracy należy wyjąć wtyczkę z gniazdka.

WYMIANA OSTRZA

UWAGA

Aby uniknąć ryzyka poważnego wypadku, należy upewnić się, że wyłącznik znajduje się w położeniu OFF (wyłączone), a urządzenie jest wyłączone z prądu.

1. Zdejmowanie ostrza

- Ustawić parametry cięcia na maksimum i umieścić piłę w pozycji pokazanej na rys. 8.
- Zacisnąć dźwignię blokady, zablokować wrzeciono i odkręcić śrubę sześciokątną za pomocą klucza sześciokątnego.
- Przytrzymując dźwignię osłony dolnej tak, aby była ona w pełni odgięta, wyjąć ostrze.

2. Zakładanie ostrza

- Dokładnie usunąć jakiegokolwiek zanieczyszczenia, które zgromadziły się na wrzecionie, śrubie i podkładkach.
- Zgodnie z rys. 9, wystająca część podkładki (A), o tej samej średnicy co średnica wewnętrzna ostrza, musi zostać dopasowana do części wklęsłej podkładki (B).
Podkładka (A) dostarczana jest dla 2 rodzajów ostrzy, o średnicy otworu 16 mm i 30 mm. (Przy zakupie piły dostarczana jest jedna podkładka (A)).
W przypadku, jeśli średnica otworu ostrza nie odpowiada średnicy otworu podkładki (A), należy skontaktować się ze sprzedawcą.
- Aby zapewnić odpowiedni kierunek obrotu ostrza, kierunek strzałki na ostrzu musi zgadzać się z kierunkiem wskazany na pokrywie urządzenia.
- Posługując się palcami, dokręcić śrubę sześciokątną mocującą ostrze tak mocno, jak tylko jest to możliwe. Następnie zacisnąć dźwignię blokady, zablokować wrzeciono i dokładnie dokręcić śrubę.

UWAGA

Po założeniu ostrza należy upewnić się, że dźwignia blokady jest zamocowana w zalecanym położeniu.

KONSERWACJA I KONTROLA

1. Kontrola stanu ostrza

Korzystanie ze stępienego ostrza powoduje zmniejszenie wydajności pracy, a ponadto może być przyczyną nieprawidłowej pracy silnika, należy więc naostrzyć lub wymienić ostrze, kiedy tylko zauważone zostanie jego stępienie.

2. Sprawdzanie śrub mocujących

Regularnie sprawdzaj wszystkie mocujące śruby i upewnij się, że są mocno przykręcone. Jeśli któraś z nich się obluzuje, natychmiast ją przykręć. Zaniedbanie tego może spowodować poważne zagrożenie.

3. Sprawdzanie szczotek węglowych (Rys. 10)

Silnik używa szczotek węglowych, które się z czasem zużywają. Ponieważ nadmiernie zużyta szczotka węglowa może spowodować kłopoty z silnikiem, wymieniaj szczotki węglowe na nowe o tych samych numerach widocznych na ilustracji kiedy się zużyją lub gdy dochodzi do „granic zużycia”. Dodatkowo zawsze utrzymuj szczotki węglowe w czystości i upewnij się że swobodnie się przesuwiają w obsadach.

UWAGA

○ Szczotki węglowe powinny być wymieniane jedynie na oryginalne szczotki węglowe firmy Hitachi, których numer podany został na rysunku.

○ W przypadku modeli C6BU2 i C7BU2 użycie innych szczotek węglowych może spowodować nieprawidłową pracę hamulca.

Jeżeli hamulec przestał działać, należy wymienić szczotki węglowe na nowe.

4. Wymiana szczotek węglowych

Rozłóż nakrywkę szczotek używając rowkowanego śrubokręta. Szczotki węglowe mogą być wtedy bezpiecznie wyjęte.

5. Konserwacja silnika

Wirmik silnika jest sercem narzędzia. Zadbaj, by wirnik nie został uszkodzony i nie zawilgotniał lub pokrył się olejem.

6. Regulacja podstawy i ostrza do położenia prostopadłego

Kąt pomiędzy podstawą a ostrzem został fabrycznie ustawiony jako 90°, niemniej w przypadku jakiegokolwiek przesunięcia należy wyrównać go w następujący sposób:

- (1) Odwrócić podstawę (**rys. 11**) i poluzować nakrętkę oraz śrubę skrzydełkową (**rys. 4 (A) i 4 (B)**).
- (2) Przyłożyć do podstawy i ostrza ekierkę, a następnie kręcąc szczelinową śrubą mocującą za pomocą płaskiego śrubokrętu ustawić podstawę pod odpowiednim kątem.

7. Lista części zamiennych

- A: Nr części
 B: Nr kodu
 C: Ilość użytych części
 D: Uwagi

UWAGA

Naprawa, modyfikacje i przeglądy narzędzi elektrycznych Hitachi musi być wykonywane przez Autoryzowane Centrum Obsługi Hitachi.

Ta lista części będzie przydatna jeśli zostanie wręczona wraz z narzędziem, gdy zgłosimy się do naprawy lub przeglądu w Autoryzowanym Centrum Obsługi Hitachi. Podczas użytkowania i konserwacji narzędzi elektrycznych muszą być przestrzegane przepisy i standardy bezpieczeństwa.

MODYFIKACJE

Narzędzia elektryczne Hitachi są ciągle ulepszone i modyfikowane w celu wprowadzania najnowszych osiągnięć nauki i techniki.

W związku z tym pewne części (a także numery kodów i konstrukcja) mogą ulec zmianom bez uprzedzenia.

GWARANCJA

Gwarancja na elektronarzędzia Hitachi jest udzielana z uwzględnieniem praw statutowych i przepisów krajowych. Gwarancja nie obejmuje wad i uszkodzeń powstałych w wyniku niewłaściwego użytkowania lub wynikających z normalnego zużycia. W wypadku reklamacji należy dostarczyć kompletne elektronarzędzie do autoryzowanego centrum serwisowego Hitachi wraz z KARTĄ GWARANCYJNĄ znajdującą się na końcu instrukcji obsługi.

WSKAZÓWKA

W związku z prowadzonym przez Hitachi programem badań i rozwoju, specyfikacje te mogą się zmienić w każdej chwili bez uprzedzenia.

Informacja dotycząca poziomu hałasu i wibracji

Mierzone wartości było określone według EN60745 i zadeklarowane zgodnie z ISO 4871.

Zmierzony poziom dźwięku A: 101 dB(A)
 Zmierzone ciśnienie akustyczne A: 90 dB(A)
 Niepewność KpA: 3 dB(A)

Używaj ochraniacza uszu.

Typowa wartość skuteczna przyspieszenia wynosi: 2,1 m/s²

SZERSZÁMGÉPEKRE VONATKOZÓ ÁLTALÁNOS BIZTONSÁGI FIGYELMETTÉSEK

⚠ FIGYELEM

Olvasson el minden biztonsági figyelmeztetést és minden utasítást.

A figyelmeztetések és utasítások be nem tartása áramütést, tüzet és/vagy súlyos sérülést eredményezhet.

Őrizzen meg minden figyelmeztetést és utasítást a jövőbeni hivatkozás érdekében.

A "szerszám gép" kifejezés a figyelmeztetésekben a hálózatról működő (vezetékes) vagy akkumulátorról működő (vezeték nélküli) szerszám gépre vonatkozik.

1) Munkaterületi biztonságr

- Tartsa a munkaterületet tisztán és jól megvilágítva.**
A telezsúfolt vagy sötét területek vonzák a baleseteket.
- Ne üzemeltesse a szerszám gépeket robbanásveszélyes atmoszférában, mint például gyúlékony folyadékok, gázok vagy por jelenlétében.**
A szerszám gépek szikrákat keltenek, amelyek meggyújthatják a port vagy gőzöket.
- Tartsa távol a gyermekeket és körülállókát, miközben a szerszám gépet üzemelteti.**
A figyelemelvonás a kontroll elvesztését okozhatja.

2) Érintésvédelem

- A szerszám gép dugaszoknak meg kell felelniük az aljzatnak.**
Soha, semmilyen módon ne módosítsa a dugaszt.
Ne használjon semmilyen adapter dugaszt földelt szerszám gépekkel.
A nem módosított dugaszok és a megfelelő aljzatok csökkentik az áramütés kockázatát.
- Kerülje a test érintkezését földelt felületekkel, mint például csövekkel, radiátorokkal, tűzhelyekkel és hűtőszekrényekkel.**
Az áramütés kockázata megnövekszik, ha a teste földelve van.
- Ne tegye ki a szerszám gépeket esőnek vagy nedves körülményeknek.**
A szerszám gépből kerülő víz növeli az áramütés kockázatát.
- Ne rongálja meg a vezetéket. Soha ne használja a vezetéket a szerszám gép szállítására, húzására vagy kihúzására.**
Tartsa távol a vezetéket a hőtől, olajtól, éles szegélyektől vagy mozgó alkatrészekről.
A sérült vagy összekuszálódott vezetékek növelik az áramütés kockázatát.
- Szerszám gép szabadban történő üzemeltetése esetén használjon szabadtéri használatra alkalmas hosszabbító kábelt.**
A szabadtéri használatra alkalmas kábel használata csökkenti az áramütés kockázatát.
- Ha elkerülhetetlen a szerszám gép nyirkos helyen történő használata, használjon maradékáram-készülékkel (RCD) védett táplálást.**
Az RCD használata csökkenti az áramütés kockázatát.

3) Személyi biztonság

- Álljon készenlétben, figyelje, hogy mit tesz, és használja a józan esztét a szerszám gép üzemeltetésekor.**
Ne használja a szerszám gépet fáradtan, kábítószert, alkoholt vagy gyógyszer befolyása alatt.
A szerszám gépek üzemeltetése közben egy pillanatnyi figyelmen kívül hagyás súlyos személyi sérülést eredményezhet.

- Használjon személyi védőfelszerelést. Mindig viseljen védőszemüveget.**

A megfelelő körülmények esetén használt védőfelszerelés, mint például a porálarca, nem csúszó biztonsági cipő, kemény sisak, vagy hallásvédő csökkenti a személyi sérüléseket.

- Előzze meg a véletlen elindítást. Győződjön meg arról, hogy a kapcsoló a KI helyzetben van, mielőtt csatlakoztatja az áramforráshoz és/vagy az akkumulátorcsomaghoz, amikor felveszi vagy szállítja a szerszámot.**

A szerszám gépek szállítása úgy, hogy az ujjá a kapcsolón van vagy a bekapcsolt helyzetű szerszám gépek áram alá helyezése vonzza a baleseteket.

- Távolítson el minden állítókulcsot vagy csavarkulcsot, mielőtt bekapcsolja a szerszám gépet.**

A szerszám gép forgó részéhez csatlakoztatva hagyott csavarkulcs vagy kulcs személyi sérülést eredményezhet.

- Ne nyúljon át. Mindenkor álljon stabilan, és őrizze meg egyensúlyát.**

Ez lehetővé teszi a szerszám gép jobb ellenőrzését váratlan helyzetekben.

- Öltözzön megfelelően. Ne viseljen laza ruházatot vagy ékszert. Tartsa távol a haját, ruházatát és kesztyűjét a mozgó részekről.**

A laza ruházat, ékszer vagy hosszú haj beakadhat a mozgó részekbe.

- Ha vannak rendelkezésre bocsátott eszközök a porelszívó és gyűjtő létesítmények csatlakoztatásához, gondoskodjon arról, hogy ezek csatlakoztatva és megfelelően használva legyenek.**

A porgyűjtő használata csökkentheti a porhoz kapcsolódó veszélyeket.

4) A szerszám gép használata és ápolása

- Ne erőltesse a szerszám gépet. Használjon az alkalmazásához megfelelő szerszám gépet.**

A megfelelő szerszám gép jobban és biztonságosabban végzi el a feladatot azon a sebességen, amelyre azt tervezték.

- Ne használja a szerszám gépet, ha a kapcsoló nem kapcsolja azt be és ki.**

Az a szerszám gép, amely a kapcsolóval nem vezérelhető, veszélyes és meg kell javítani.

- Húzza ki a dugaszt az áramforrásból és/vagy az akkumulátorcsomagot a szerszám gépből, mielőtt bármilyen beállítást végez, tartozékokat cserél vagy tárolja a szerszám gépeket.**

Az ilyen megelőző biztonsági intézkedések csökkentik a szerszám gép véletlen beindulásának kockázatát.

- A használaton kívüli szerszám gépeket tárolja úgy, hogy gyermekek ne érhessek el, és ne engedje meg, hogy a szerszám gépet vagy ezeket az utasításokat nem ismerő személyek üzemeltessék a szerszám gépet.**

Képzetlen felhasználók kezében a szerszám gépek veszélyesek.

- A szerszám gépek karbantartása. Ellenőrizze a helytelen beállítás, a mozgó részek elakadása, alkatrészek törése és minden olyan körülmény szempontjából, amelyek befolyásolhatják a szerszám működését.**

Ha sérült, használat előtt javíttassa meg a szerszámot. Sok balesetet a rosszul karbantartott szerszám gépek okoznak.

- A vágószerszámokat tartsa élesen és tisztán.**

Az éles vágóélekkel rendelkező, megfelelően karbantartott vágószerszámok kevésbé valószínűen akadnak el és könnyebben kezelhetők.

- g) A szerszám gép tartozékait és betétkéseit, stb. használja ezeknek az utasításoknak megfelelően, figyelembe véve a munkakörülményeket és a végzendő munkát.

A szerszám gép olyan műveletekre történő használata, amelyek különböznek a szándékoltaktól, veszélyes helyzetet eredményezhet.

5) Szerviz

- a) A szerszám gépét képesített javító személlyel szervizeltesse, csak azonos cserealkatrészek használatával.

Ez biztosítja, hogy a szerszám gép biztonsága megmaradjon.

VIGYÁZAT

Tartsa távol a gyermekeket és beteg személyeket.

Amikor nincs használatban, a szerszámokat úgy kell tárolni, hogy gyermekek és beteg személyek ne érhesék el.

BIZTONSÁGI ELŐÍRÁSOK AZ ÖSSZES FÜRÉSZGÉPHEZ

- a) **⚠ VESZÉLY:** Kezeit mindig tartsa kellő távolságban a vágóeszköztől és a fűrészlaptól. Másik kezét tartsa a kiegészítő fogantyún vagy a motor burkolatán.

Ha mindkét kezével a fűrészgépet tartja, elkerülheti a vágási sérüléseket.

- b) **Ne nyúljon a munkadarab alá.**

A védőelem nem nyújt védelmet a munkadarab alatti területen.

- c) **A vágási mélységet igazítsa a munkadarab vastagságához.**

A fűrész fogazatának a munkadarab alatt kevesebb, mint egy fognyíl hosszúságú része látszódnhat ki.

- d) **A munkadarabot soha ne tartsa a kezében vagy a lábain. A munkadarabot rögzítse egy stabil munkasztalra.**

Fontos a munkadarab megfelelő megtámasztása a testi sérülések, valamint a fűrészlap elgörbülése megelőzése és az irányítás megelőzése érdekében.

- e) **A szerszám gépet mindig tartsa szigetelt markolatánál fogva, ha fennáll a lehetősége annak, hogy a fűrészlap munkavégzés közben rejtett kábelt vagy saját vezetékét érinthesse.**

Egy feszültség alatt lévő vezetékkel való érintkezés a szerszám gép fém alkatrészeit is feszültség alá helyezi, és súlyos veszélyt jelent a kezelőre.

- f) **Ha a fűrészgéppel hasítást végez, mindig használjon védőberendezést vagy egyenes élű vezetőelemet. Ezzel nő a vágás pontossága, és csökken a fűrészlap elgörbülésének esélye.**

- g) **Mindig a megfelelő méretű és alakú (gyémánt vagy korong) tengelynyílású fűrészlapokat használjon.**

A rögzítési szerelvényhez nem illeszkedő fűrészlapok excentrikusan forognak, és az irányítás elvesztését okozzák.

- h) **Soha ne használjon sérült vagy hibás alátétet vagy csavart.**

Az alátét és a csavar a fűrész optimális teljesítményéhez és a legnagyobb munkabiztonság-hoz lettek tervezve.

TOVÁBBI BIZTONSÁGI ELŐÍRÁSOK AZ ÖSSZES FÜRÉSZGÉPHEZ

A visszarúgás okai és megelőzésének módjai:

- visszarúgást a beékelődött vagy rosszul beállított fűrészlap okozhat, melynek eredményeként a vezérlés nélküli fűrészgép fel-, illetve kiemelkedik a munkadarabból a kezelő irányába;
- ha a fűrészlap beszorul a fűrészjáratba, a fűrészlap elakad, és a motor reakciója az egységet nagy sebességgel a kezelő felé mozdítja;
- ha a fűrészlap fűrészelés közben elgörbül vagy elállítódik, a fűrészlap hátlapjánál lévő fűrészfogak a fa felszínébe vághatnak, amítől a fűrészlap kiemelkedhet a fűrészjáratból, és a kezelő felé csapódhat.

A visszarúgás a fűrészgép rendeltetésétől eltérő használatának és/vagy a munkavégzés nem megfelelő feltételeinek eredménye, mely elkerülhető az alábbi óvintézkedések betartásával.

- a) **A fűrészgépet mindkét kezével tartsa szorosan, és kézzel tompítsa a visszarúgás erejét.**

Álljon jobbra vagy balra a fűrészlaptól, de soha sem egy vonalban a fűrészlappal.

A visszarúgás a fűrészgép hátraugrását okozhatja, de a kezelő - a megfelelő elővigyázatossággal - tompíthatja a visszarúgás erejét.

- b) **A fűrészlap elgörbülésekor, vagy ha bármilyen okból abba kell hagynia a fűrészelést, engedje el az indítókapcsolót, és a fűrészgépet tartsa mozdulatlanul a munkadarabban egészen addig, amíg a fűrészlap teljesen meg nem áll.**

Soha nem próbálja meg kivenni a fűrészlapot a munkadarabból, vagy hátrafelé húzni a fűrészgépet, amíg a fűrészlap mozgásban van, és a visszarúgás esélye fennáll.

Vizsgálja meg és szüntesse meg a fűrészlap elgörbülésének okait.

- c) **A fűrészlást folytatásához a fűrészlapot illesse a fűrészjárat közepébe és ellenőrizze, hogy a fűrészfogak nem akadnak el az anyagban.**

Az elgörbült fűrészlap kiemelkedhet és visszarúghat a munkadarabból a fűrészgép újraindításakor.

- d) **Támassza meg a nagy fatáblákat a fűrészlap elakadása és a visszarúgás megakadályozása érdekében.**

A nagy táblák saját súlyuk alatt meghajolhatnak. A tábla mindkét oldalra alá támasztékokat kell helyezni, a vágás vonala, illetve a tábla széle közelébe.

- e) **Ne használjon élethen vagy sérült fűrészlapot.**

Az élethen vagy a rosszul beállított fűrészlapokkal csak nagy súrlódás, a fűrészlap elgörbülése és visszarúgás mellett lehet egyenesen vágni.

- f) **A vágási mélység és a rézsútósság beállított karokat a fűrészelés megkezdése előtt erősen meg kell szorítani.**

A beállítás fűrészelés közbeni elmozdulása a fűrészlap elgörbülését és visszarúgást okozhat.

- g) **Legyen különösen elővigyázatos, ha álló falba vagy ismeretlen területen végez "beszűrő fűrészelést".**

A kiemelkedő fűrészlap tárgyakat érhet, melyek visszarúgást okozhatnak.

BELSŐ LENGÉSGÁTÓVAL ÉS ELMOZDULÁSGÁTÓVAL ELLÁTOTT KÖRFŰRÉS BIZTONÁGI ELŐÍRÁSAI

- a) Minden egyes használat előtt ellenőrizze az alsó védőelem megfelelő záródását. Ne használja a fűrészgépet, ha az alsó védőelem nem mozog szabadon, és nem záródik azonnal. Az alsó védőelemet soha nem rögzítse nyitott helyzetben.

Ha a fűrész véletlenül leesik, az alsó védőelem elgömbülhet.

Emelje fel az alsó védőelemet a visszahúzó fogantyújánál fogva, és ellenőrizze, hogy az - az összes vágási szögben és mélységnél - szabadon mozog, illetve nem érintkezik a fűrészlappal vagy bármely más alkatrészsel.

- b) Ellenőrizze az alsó védőelem rugója megfelelő működését. A védőelem, illetve a rugó nem megfelelő működése esetén a szerszámgépet a használatba vétel előtt meg kell javíttatni.

A sérült alkatrészek, a gumiszerű lerakódások, illetve a felgyülemlett szennyeződés az alsó védőelem akadozó működését okozhatják.

- c) Az alsó védőelemet csak speciális fűrészleseknek, például "beszűrő fűrészelés" vagy "illesztő vágás" esetében szabad kézzel visszahúzni. Emelje fel az alsó védőelemet, majd amint a fűrészlap behatolt az anyagba engedje el.

Az összes többi fűrészelési mód esetén az alsó védőelemnek automatikusan kell működnie.

- d) Mindig ellenőrizze, hogy az alsó védőelem eltakarja a fűrészlapot, mielőtt a fűrészgépet a munkaszaltra vagy a padlóra helyezné.

Védőelem híján a fűrészgép elindul hátrafele, és mindent elvág, ami az útjába esik.

Vegye figyelembe azt az időtartamot, amire a fűrészlapnak az indítókapcsoló elengedése után a megállásig szüksége van.

TOVÁBBI BIZTONSÁGI UTASÍTÁSOK MINDEN HASÍTÓKÉSES FŰRÉSZHEZ

- a) Használja a megfelelő hasítókést a használt fűrészlaphoz.

Ahhoz, hogy a hasítókés működjön, vastagabbnak kell lennie, mint a fűrészlap teste, de vékonyabbnak, mint a fűrészlap fogazata.

- b) A hasítókést a jelen használati utasításban leírtak szerint állítsa be.

A helytelen távolságú pozicionálás és elrendezés eredménytelenné teheti, hogy a hasítókés megakadályozza a visszarúgást.

- c) A beszűrő vágás kivételével mindig használja a hasítókést.

Beszűrő vágás után a hasítókést vissza kell tenni. A hasítókés a beszűrő vágás során zavaró hatást okoz és visszarúgást válthat ki.

- d) Ahhoz, hogy a hasítókés működjön, be kell illeszteni a munkadarabba.

A hasítókés rövid vágások során nem hatásos a visszarúgás megakadályozásában.

- e) Ne üzemeltesse a fűrész, ha a hasítókés meghajlott. Még az enyhe zavaró hatás is lelassíthatja a védőfedél zárási sebességét.

A KÖRFŰRÉS HASZNÁLATÁVAL KAPCSOLATOS ÖVINTÉZKEDÉSEK

1. Ne használjon deformálódott vagy törött fűrészlapot.
2. Ne használjon gyorsacélból készült fűrészlapot.
3. Ne használjon az utasításokban leírt jellemzőknek nem megfelelő fűrészlapot.
4. Ne gyakoroljon oldalirányú nyomást a korongra a fűrészlap megállításához.
5. A fűrészlapokat mindig tartsa élesen.
6. Ellenőrizze, hogy az alsó védőelem simán és szabadon mozog.
7. Soha ne használja a körfűrészrt rögzített alsó védőelemmel.
8. Ellenőrizze, hogy a védőelem visszahúzó mechanizmusa megfelelően működik.
9. A fűrészlapok testének vékonyabbnak kell lennie a hasítókésnél, és a vágás, bevágás szélességének nagyobbak kell lennie a hasítókés vastagságánál.
10. Soha ne használja a körfűrészrt felfelé vagy oldalra fordított fűrészlappal.
11. Győződjön meg róla, hogy az anyag mentes minden idegen anyagtól, például szögektől.
12. A hasítókést mindig használni kell a munkadarab közepébe történő beszúrás kivételével.
13. A C6U2 és C6BU2 modellek esetén a fűrészlapok tartománya 165 mm-től 162 mm-ig terjedhet. A C7U2 és C7BU2 modellek esetén a fűrészlapok tartománya 190 mm-től 185 mm-ig terjedhet.
14. C6BU2 és C7BU2 modellek esetén vigyázzon a fém visszarúgására.
A C6BU2 és C7BU2 modellek olyan elektromos fékkel rendelkeznek, amely akkor működik, ha a kapcsoló elengedésre kerül. Mivel a fém működésekor van némi visszarúgás, bizonyosodjon meg róla, hogy biztosan tartja a géptestet.
15. Amikor a kapcsoló ki van kapcsolva, néha a fékezési művelet által okozott szikrák jelenhetnek meg, mivel a C6BU2 és C7BU2 modellek elektromos fékeket alkalmaznak.
Ugyanakkor legyen tudatában, hogy ez a jelenség nem géphiba.
16. A C6BU2 és C7BU2 modellek esetén, amikor a fém hatástalanná válik, cserélje ki a szénkeféket újakra.
17. Mindig húzza ki a hálózati csatlakozóaljzatból a dugaszt, mielőtt a szerszámgépen beállításokat, szervizelést vagy karbantartást végezne.

MŰSZAKI ADATOK

Modell	C6U2	C6BU2	C7U2	C7BU2
Feszültség (társégenként)*	(110 V, 230 V)∧			
Vágási mélység	90°	54 mm	66 mm	
	45°	39 mm	48 mm	
Teljesítmény*	1100 W		1200 W	
Fordulatszám, terhelés nélkül	5500 min ⁻¹			
Súly (tápkábel nélkül)	3,5 kg		4,0 kg	

*Ne felejtse el ellenőrizni a típus táblán feltüntetett adatokat, mivel ezek eladási területenként változnak!

STANDARD TARTOZÉKOK

- (1) Fűrészlap (a szerszámgépre rögzítve) 1
 (Átmérő: 165 mm C6U2, C6BU2)
 (Átmérő: 190 mm C7U2, C7BU2)
- (2) Hatszögletű dugókulcs 1
 (3) Vezetőelem 1
 (4) Szárnyas csavar 1
 (5) Kar (rövid típusú) 1
 (6) Porgyűjtő 1

Az standard tartozékok előzetes értesítés nélkül módosíthatók.

**OPCIONÁLIS TARTOZÉKOK
(értékesítésük külön történik)**

- (1) Alátét (A)
 16 mm (a fűrészlap tengelynyílása átmérője)
 30 mm (a fűrészlap tengelynyílása átmérője)
- (2) Vezetősín adapter (lásd **13. ábra**)

Az opcionális tartozékok előzetes értesítés nélkül módosíthatók.

ALKALMAZÁS

A készülék rendeltetése szerint különféle faanyagok vágása alkalmas.

AZ ÜZEMBEHELYEZÉS ELŐTTI TENNIVALÓK**1. Áramforrás**

Ügyeljen rá, hogy a készülék adattábláján feltüntetett feszültség értéke megegyezzen az alkalmazni kívánt hálózati feszültséggel.

2. Hálózati kapcsoló

Ügyeljen rá, hogy a hálózati kapcsoló KI állásba legyen kapcsolva. Ha a csatlakozódugót úgy csatlakoztatja a dugaszolóaljzatba, hogy közben a hálózati kapcsoló BE állásban van, a kéziszerszám azonnal működésbe lép, ami súlyos balesetet idézhet elő.

3. Hosszabbító vezeték

Ha a munkaterület az áramforrástól távol található, akkor egy megfelelő keresztmetszetű és teljesítményű hosszabbító vezetékkel kell alkalmazni.

4. Fa munkaasztal előkészítése (1. ábra)

Mivel a fűrészlap a faanyag alsó felületét is átvágja, fűrészelés előtt helyezzen másik faanyagot a munkaasztalra. Ha munkaasztalként egy derékszögű rönköt használ, a stabilitás érdekében a rönköt helyezze a földre. Instabil munkaasztal használata veszélyezteti a munkabiztonságot.

FIGYELEM

A lehetséges balesetek elkerülése érdekében, mindig ellenőrizze, hogy a faanyag - fűrészelés után megmaradó része - stabilan van rögzítve.

A FŰRÉSZ BEÁLLÍTÁSA HASZNÁLAT ELİTT**1. A vágási mélység beállítása**

A **2. ábrán** bemutatottak szerint tartsa a fogantyút az egyik kezével, mialatt a másikkal meglazítja a gombot. A vágási mélység az alpnak a kívánt helyzetbe történő mozdításával állítható be. Ilyen módon állítsa be a vágási mélységet, és azután szorosan húzza meg újra a gombot.

2. A hasítókécs beállítása

Lazítsa meg a hasítókécs rögzítésére használt imbuszcscsavart, úgy állítsa be a hasítókécs, hogy a hasítókécs és a fűrészlap széle közötti távolság ne legyen több 3 mm-nél, és a fűrészlap széle ne terjedjen 3 mm-nél jobban túl a hasítókécs alsó szélén (**3. ábra**) és szorosan húzza meg újra a csavart.

3. A dőlésszög beállítása

A **4 (A)**, és **4 (B) ábrákon** bemutatottak szerint a dőlésmérőn levő szárnyasanya és az alapon levő szárnyascsavart meglazításával a fűrészlap az alaphoz viszonyítva maximálisan 45 fokos szögig megdönthető. A beállítás befejezése után győződjön meg ismét róla, hogy a szárnyasanya és a szárnyascsavart szorosan meghúzásra került.

4. A vezető szabályozása (5. ábra)

Szárnyascsavarjának meglazítása után a vezető balra vagy jobbra mozdítással szabályozható. A vezető a szerszámnak akár a bal, akár a jobb oldalára felszerelhető.

5. A vezető darab beállítása

A körfűrészben elvégezhető a vezető darab rögzítési helyzetének finombeállítása, ahol a fűrészlapot és az előre bejelölt vonalat kell egy vonalba állítani. Amikor a fűrészelt kiszállítják a gyárból, a vezető darabon levő elülső skála egyenes része egy vonalban áll a fűrészlap középső pozíciójával (**6. ábra**). Ha a rögzítési helyzet rossz volna, lazítsa meg a vezető darabon a rögzített M4 csavart, és végezze el a helyzet szükséges beállítását.

6. A porgyűjtő használata

A porszívónak a fűrészpor összegyűjtése céljából történő használatához csatlakoztassa a szívótömlőt a porgyűjtőhöz, amelyet M4 és M5 csavarok csatlakoztatnak a fő egységhez. Amikor csatlakoztatja a porgyűjtőt, mindig győződjön meg róla, hogy a kart ekkor rövid típusúra cserélte (**12. ábra**).

VIGYÁZAT

Ha folytatja annak a karnak a használatát, amelyet a gyárból történő kiszállítás előtt csatlakoztattak, azt fogja okozni, hogy ráfeszül a porgyűjtőre, és zavarja az alsó védőfedél működését.

VÁGÁSI ELJÁRÁSOK

1. Helyezze az alapot az anyagra, azután állítsa egy vonalba az előre bejelölt vonalat és a fűrészlapot a vezető darab elülső skálájával az alap elejénél (6. ábra).
Amikor az alap nincs megdöntve, használja vezetőként a nagy kivágást (6. ábra, 7 (A) ábra).
Ha az alap meg van döntve (45 fokban), használja vezetőként a kis elülső skálát (6. ábra, 7 (B) ábra).
2. Ellenőrizze, hogy a kapcsoló a BE helyzetbe legyen fordítva, mielőtt a fűrészlap érintkezésbe kerül a faanyaggal. A kapcsoló akkor van BE állásba kapcsolva, amikor az indítót benyomta, KI állásba pedig, amikor az indítót elengedte.
3. A fűrész állandó sebességgel történő egyenes mozgatása optimális vágást fog eredményezni.

FIGYELMEZTETÉSEK

A vágás megkezdése előtt vizsgálja meg a vágni kívánt anyagot. Amennyiben a vágási művelet során előreláthatóan veszélyes / mérgező por keletkezik mindig ellenőrizze, hogy a porzsák vagy egyéb porelszívó rendszer szorosan illeszkedik a porkivező nyíláshoz.

Ezen felül - ha rendelkezésre áll -, viseljen porvédő maszkot. PFTE bevonatot alkalmaznak a C6BU2 típus és a C7BU2 típus alapjaira. Vigyázzon, hogy ne nyomja túl erősen az egység géptestét, mivel ez nehéz terhelést gyakorol a motorra. A finom nyomás használata megkönnyíti a darab csúszását és kevesebb erővel teszi lehetővé a vágást. Ha olyan fát próbál vágni, amelyet kemény szemcséjű anyag, mint például homok vagy fémporgács borít, az könnyen okoz karcolásos sérülést a felületbevonaton, tehát vigyázzon.

- A fűrészelés megkezdése előtt várja meg, amíg a fűrészlap eléri maximális fordulatszámát.
- Ha a fűrészlap leáll vagy a megszokottól eltérő hangot hall, azonnal kapcsolja KI a készüléket.
- Midig ügyeljen arra, hogy a tápvezeték ne kerüljön közel a forgó fűrészlaphoz.
- A körfűrész felfelé vagy oldalra fordított fűrészlappal való használata különösen veszélyes. Kerülje a szerszámgép rendeltetésétől eltérő használatát.
- Fűrészelés közben mindig viseljen védőszemüveget.
- A munka végeztével húzza ki a dugaszt a csatlakozóaljzatból.

A FÜRÉSZLAP FELSZERELÉSE ÉS ELTÁVOLÍTÁSA

FIGYELEM

A súlyos balesetek elkerülése érdekében, mindig ellenőrizze, hogy az indítókapcsoló KI állásban van, és hogy a készülék nincs a hálózatra csatlakoztatva.

1. A fűrészlap leszerelése

- (1) A vágási sebességet állítsa maximálisra, és a 8. ábrán látható módon helyezze el a körfűrész.
- (2) Nyomja le a rögzítőkart, rögzítse a tengelyt, és az imbuszkulccsal távolítsa el az imbuszcsavart.
- (3) Szerelje le a fűrészlapot, eközben az alsó védőelem karját tartsa úgy, hogy a védőelem teljesen vissza legyen húzva a fűrész burkolatába.

2. A fűrészlap rögzítése

- (1) Távolítsa el az orsó, a csavar és az alátét körül felgyülemlt fűrészport.
- (2) A 9. ábrán látható módon a fűrészlap belső átmérőjével azonos átmérőjű alátét (A) oldalát és az alátét (B) konkáv oldalát illesse a fűrészlap két oldalára.
* Alátét (A) 2 típusú fűrészlapoz szerezhető be: 16 és 30 mm tengelynyílásúhoz. (A körfűrész vásárlásakor egy típusú alátét (A) mellékelünk).
Abban az esetben, ha a használni kívánt fűrészlap tengelynyílása nem felel meg az alátét (A) méretének, kérjük, lépjen kapcsolatba a körfűrész eladójával.
- (3) A fűrészlap megfelelő forgási iránya biztosításához a fűrészlapon lévő - a forgási irányt jelölő - nyíl irányának meg kell egyeznie a fűrészgép burkolatán lévő nyíl irányával.
- (4) Az ujjaival húzza meg a fűrészlapot tartó imbuszcsavart, amennyire csak lehet. Ezután nyomja le a rögzítőkart, rögzítse a tengelyt, és alaposan húzza meg a csavart.

FIGYELEM

A fűrészlap rögzítése után ismételtelen ellenőrizze, hogy a rögzítőkar biztonságosan illeszkedik az előírt helyzetben.

KARBANTARTÁS ÉS ELLENÍRZÉS

1. A fűrészlap ellenőrzése

Mivel a tompa fűrészlap használata rontja a munkavégzés hatékonyságát, és a motor hibás működését okozhatja, a kopás észlelésekor a lehető leghamarabb cserélje ki a fűrészlapot.

2. A rögzítő csavarok ellenőrzése

Rendszeresen ellenőrizzen minden rögzítő csavart, és ügyeljen rá, hogy azok megfelelően meg legyenek szorítva. Minden meglazult csavart azonnal szorítson meg. Ennek elhanyagolása súlyos veszélyeket hordoz magában.

3. A szénkefék ellenőrzése (10. Ábra)

A motor szénkefék tartalmaz, amelyek fogyóeszköznek számító alkatrészek. Mivel a túlságosan elkopott szénkefe a motor hibáit okozhatja, ezért az ábrán látható számmal megegyező számú szénkefekre cserélje ki a szénkefeket, ha azok a „kopási határ” közeléig elkopnak. Emellett a szénkefeket mindig tartsa tisztán, és ügyeljen arra, hogy a szénkefék szabadon elcsúszhassanak tartójukban.

VIGYÁZAT

- Amikor cseréli az új szénkefeket, mindig a rajzon megadott számú eredeti Hitachi szénkefeket használjon.
 - C6BU2 és C7BU2 modellek esetén lehet, hogy a fém nem fog működni, ha nem az előírt szénkefeket használják. Amikor a fém hatástalanná válik, cserélje ki újakra a szénkefeket.
4. **A szénkefék cseréje**
Lapos csavarhúzó segítségével szerelje szét a szénkefetartó házakat. A szénkefék ekkor egyszerűen eltávolíthatók.
 5. **A motor karbantartása**
A motor tekeréscselése az elektromos szerszám "szíve". Gondosan ügyeljen rá, hogy a tekeréscselés ne sérüljön, illetve ne kerüljön kapcsolatba olajjal vagy vízzel.
 6. **Az alap és a fűrészlap beállítása a merőlegesség fenntartásához**
Az alap és a fűrészlap közötti szög 90°-ra van beállítva, ugyanakkor, ha ez a merőlegesség valamely ok folytán elveszne, a következő módon állítsa be:

- (1) Fordítsa fel az alapot (**11. ábra**) és lazítsa meg a szárnyasanyát és a szárnyascsavart (**4 (A) ábra, 4 (B) ábra**).
- (2) Használjon egy négyzetet az alaphoz és a fűrészlaphoz, és elfordítva a hasított hernyócsavart egy lapos fejű csavarhúzóval, tolja el az alap pozícióját a kívánt helyes szög létrehozásához.

7. Szervizelési alkatrészlista

- A: Alkatrész-szám
 B: Kódszám
 C: Használt darabszám
 D: Megjegyzések

FIGYELEM

A Hitachi kéziszerszámok javítását, módosítását, illetve ellenőrzését kizárólag Hitachi szakszervizben szabad elvégezteni.

Ez az alkatrészlista a szerszám javításra vagy egyéb karbantartásra egy Hitachi szakszervizbe történő bevitelkor jelent segítséget.

A kéziszerszámok üzemeltetése és karbantartása során be kell tartani az adott országban érvényes biztonsági előírásokat és szabványokat.

MÓDOSÍTÁSOK

A Hitachi kéziszerszámok állandó tökéletesítéseken mennek át, hogy alkalmazni tudják a legújabb műszaki fejlesztések eredményeit.

Éppen ezért egyes alkatrészek (azok kódszámai illetve kiviteli módjai) előzetes bejelentés nélkül megváltozhatnak.

GARANCIA

A Hitachi Power Tools szerszámokra a törvényes/országos előírásoknak megfelelő garanciát vállalunk. A garancia nem vonatkozik a helytelen vagy nem rendeltetésszerű használatból, továbbá a normál mértékűnek számító elhasználódásból, kopásból származó meghibásodásokra, károokra. Reklamáció esetén kérjük, küldje el a - nem szétszerelt - szerszámot a kezelési útmutató végén található GARANCIA BIZONYLATTAL együtt a hivatalos Hitachi szervizközpontba.

MEGJEGYZÉS

A HITACHI folyamatos kutatási és fejlesztési programja következtében az itt szereplő műszaki adatok előzetes bejelentés nélkül változhatnak.

A környezeti zajra és vibrációra vonatkozó információk

A mért értékek az EN60745 szabványnak megfelelően kerültek meghatározásra és az ISO 4871 alapján kerülnek közzétételre.

Mért A-súlyozású hangteljesítményszint: 101 dB(A)

Mért A-súlyozású hangnyomásszint: 90 dB(A)

Bizonytalanság KpA: 3 dB(A)

Viseljen hallásvédelmi eszközt.

A jellemző súlyozott gyorsulás négyzetes középértéke:
 2,1 m/s²

OBECNÁ VAROVÁNÍ TÝKAJÍCÍ SE BEZPEČNOSTI EL. PŘÍSTROJE

⚠ UPOZORNĚNÍ

Přečtěte si všechna varování týkající se bezpečnosti a všechny pokyny.

Nedodržení těchto varování a pokynů může mít za následek elektrický šok, požár a/nebo vážné zranění.

Všechna varování a pokyny si uschovejte. V budoucnu se vám mohou hodit.

Pojem "elektrický nástroj" v těchto varováních se vztahuje k vašemu elektrickému nástroji napájenému ze sítě (se šňůrou) nebo napájenému z baterie (bez šňůry).

1) Bezpečnost na pracovišti

- Udržujte vaše pracoviště čisté a dobře osvětlené.**
V důsledku nepořádku nebo tmy dochází k nehodám.
- Neprovazujte elektrické nástroje ve výbušném ovzduší, např. v přítomnosti hořlavých kapalin, plynů či prachu.**
Elektrické nástroje produkují jiskry, které by mohly zapálit prach anebo plyny.
- Během práce s elektrickým nástrojem zabraňte přístupu dětí a přihlížejících osob.**
Rozptylování by mohlo způsobit ztrátu vaší kontroly nad nástrojem.

2) Elektrická bezpečnost

- Zástrčka elektrického nástroje musí odpovídat zásuvce.**
Nikdy se nepokoušejte zástrčku jakkoli upravovat. U uzemněných elektrických nástrojů nepoužívejte žádné rozbočovací zásuvky.
Neupravované zástrčky a odpovídající zásuvky snižují nebezpečí elektrického šoku.
- Zabraňte kontaktu s uzemněnými povrchy jako jsou trubky, radiátory, sporáky a lednice.**
Je-li uzemněné vaše tělo, existuje zvýšené nebezpečí elektrického šoku.
- Nevystavujte elektrický nástroj dešti nebo vlhkým podmínkám.**
Voda, která vnikne do elektrického nástroje, zvyšuje nebezpečí elektrického šoku.
- Zacházejte správně s napájecí šňůrou. Nikdy šňůru nepoužívejte k přenášení, tahání nebo odpojování elektrického nástroje ze zásuvky. Umístěte napájecí šňůru mimo působení horka, mimo olej, ostré hrany nebo pohybující se části.**
Poškozené nebo zamotané šňůry zvyšují nebezpečí elektrického šoku.
- Během provozu elektrického nástroje venku používejte prodlužovací šňůru vhodnou k venkovnímu použití.**
Použití šňůry vhodné k venkovnímu použití snižuje nebezpečí elektrického šoku.
- Pokud je použít elektrického nástroje na vlhkém místě nevyhnutelné, použijte napájení s ochranným zařízením na zbytkový proud.**
Použití zařízení na zbytkový proud snižuje riziko elektrického šoku.

3) Osobní bezpečnost

- Budte pozorní, sledujte, co děláte a při práci s elektrickým nástrojem používejte zdravý rozum. Elektrický nástroj nepoužívejte, jste-li unavení nebo pod vlivem drog, alkoholu nebo léků.**

Jediný okamžik nepozornosti při práci s elektrickým nástrojem může způsobit vážné zranění.

- Používejte osobní ochranné pracovní pomůcky. Vždy noste ochranu očí.**

Ochranné pracovní pomůcky jako respirátor, bezpečnostní obuv s protiskluzovou podrážkou, ochranná přilba nebo ochrana sluchu použité v příslušných podmínkách snižují možnost zranění.

- Zabraňte nechtěnému spuštění. Před připojením ke zdroji napájení a/nebo bateriového zdroje, zvedáním nebo přenášením elektrického nástroje se ujistěte, že je spínač v poloze vypnuto.**

Nošením elektrických nástrojů s prstem na vypínači nebo jejich aktivací s vypínačem v poloze zapnuto vzniká nebezpečí úrazu.

- Před zapnutím elektrického nástroje odstraňte seřizovací klíč.**

Klíč ponechaný připevněný k rotující části elektrického nástroje může způsobit zranění.

- Nepřehánějte to. Vždy si udržujte správné postavení a stabilitu.**

To umožní lepší kontrolu nad elektrickým nástrojem v nepředvídaných situacích.

- Noste správný oděv. Nenoste volné oblečení ani šperky. Vlasy, oděv a rukavice udržujte mimo pohybující se části.**

Volný oděv, šperky nebo dlouhé vlasy mohou být vtaheny do pohybujících se částí.

- Pokud jsou k dispozici zařízení k připojení přístrojů k odsávání a sběru prachu, ujistěte se, že jsou připojena a správně používána.**

Použitím zařízení ke sběru prachu lze snížit rizika související s prachem.

4) Používání a péče o elektrický nástroj

- Netlačte na elektrický nástroj. Používejte vždy vhodné elektrický nástroj pro danou aplikaci.**

Správný elektrický nástroj provede daný úkol lépe a bezpečněji, rychleji, pro jakou byl konstruován.

- Nepoužívejte elektrický nástroj, pokud nefunguje jeho zapínání a vypínání pomocí vypínače.**

Jakýkoli elektrický nástroj, který nelze ovládat vypínačem, je nebezpečný a musí být opraven.

- Před prováděním jakéhokoli seřízení, před výměnou příslušenství nebo uskladněním elektrických nástrojů vždy nejprve odpojte zástrčku ze zdroje napájení a/nebo odpojte bateriový zdroj.**

Taková preventivní opatření snižují nebezpečí nechtěného spuštění elektrického nástroje.

- Nepoužívané elektrické nástroje skladujte mimo dosah dětí a nedovolte, aby s elektrickým nástrojem pracovali osoby, které nejsou seznámeny s ním nebo s pokyny k jeho používání.**

Elektrické nástroje v rukou nevyškolených uživatelů jsou nebezpečné.

- Udržujte elektrické nástroje. Kontrolujte případná vychýlení nebo sevření pohybujících se částí, poškození částí a jakékoli ostatní podmínky, které mohou mít vliv na provoz elektrických nástrojů.**

V případě poškození nechte elektrický nástroj před jeho dalším použitím opravit.

Mnoho nehod vzniká v důsledku nesprávné údržby elektrických nástrojů.

- Udržujte řezací nástroje ostré a čisté.**

Správně udržované řezací nástroje s ostrými řeznými hranami se méně pravděpodobně zaseknou a lépe se ovládají.

- g) Elektrický nástroj, příslušenství, vsazené části atd. použijte v souladu s těmito pokyny. Berte přitom zřetel na pracovní podmínky a prováděnou práci.

Použití elektrického nástroje k jinému než určenému účelu může způsobit nebezpečnou situaci.

5) Servis

- a) Servis vašeho elektrického nástroje svěřte kvalifikovanému opraváři, který použije pouze identické náhradní díly.

Tak bude i nadále zajištěna bezpečnost elektrického nástroje.

PREVENTIVNÍ OPATŘENÍ

Nedovolte přístup dětem a slabomyslným osobám.

Pokud nástroje nepoužíváte, měli byste je skladovat mimo dosah dětí a slabomyslných osob.

BEZPEČNOSTNÍ PŘEDPISY PRO VŠECHNY PILY

- a) **NEBEZPEČÍ:** Dodržujte bezpečnou vzdálenost rukou od místa řezání a pilového listu. Druhou rukou uchopte pomocné držadlo nebo plášť motoru.

Pokud obě ruce drží pilu, nemůže dojít k jejich pořežení pilovým listem.

- b) **Nesahejte pod zpracovávaný materiál.**

Ochranný kryt Vás nemůže ochránit před pilovým listem pod zpracovávaným materiálem.

- c) **Nastavte hloubku řezání podle tloušťky zpracovávaného materiálu.**

Pod zpracovávaným materiálem by neměl být viditelný celý zub pilového listu.

- d) **Nikdy nedržte řezanou součást ve svých rukou nebo na noze. Zajistěte zpracovávaný materiál ke stabilnímu podkladu.**

Práci je nezbytné provádět náležitým způsobem, aby se omezilo na minimum nepříznivé působení na těleso nářadí, ohýbání pilového listu nebo ztráta kontroly nad nářadím.

- e) **Držte elektricky poháněné nářadí na izolovaných úchopných plochách, když provádíte práci, kde řezný nástroj se může dostat do styku se skrytým elektrickým vedením nebo s vlastní přírodní šňůrou.**

Kontakt s vedením pod proudem může také mít vliv na kovové části elektrického nářadí pod proudem a způsobit úraz elektrickým proudem.

- f) **Při podélném řezání vždy používejte pravítko pro podélné řezání nebo vedení příměrného pravítka.**

Zvýší se tím přesnost řezání a sníží se tím pravděpodobnost ohnutí pilového listu.

- g) **Vždy používejte pilové listy se správnou velikostí a tvarem (kosočtverečný nebo kruhový) upínacích otvorů.**

Pilové listy, které nejsou vhodné pro montážní díly pily, budou mít výtředný chod a mohou způsobit ztrátu kontroly nad nářadím.

- h) **Nikdy nepoužívejte poškozené nebo nesprávné podložky a šroub pilového listu.**

Podložky a šroub pilového listu byly speciálně konstruovány pro Váš typ pily pro dosažení optimální výkonnosti a bezpečnosti práce.

DALŠÍ BEZPEČNOSTNÍ PŘEDPISY PRO VŠECHNY PILY

Příčiny zpětného rázu pily a ochrana obsluhy:

- zpětný ráz je náhlá reakce na sevření, ohnutí nebo vybočení pilového listu a způsobí nekontrolované zvednutí pily ze zpracovávaného materiálu směrem k obsluze;
- když je pilový list pevně sevřený nebo ohnutý zavřením řezu, list uváže a reakce motoru vrhne nářadí zpět směrem k obsluze;
- pokud se pilový list se v řezu zkroutí nebo vybočí, zuby hřbetu pilového listu se mohou zaříznout do horní plochy dřeva a způsobí, že pilový list se vysune z řezu a odskočí zpět směrem k obsluze.

Zpětný ráz je důsledek chybného použití a/nebo nesprávných pracovních postupů nebo podmínek a lze se ho vyvarovat vhodnými níže uvedenými preventivními opatřeními.

- a) **Pilu vždy pevně držte oběma rukama a umístěte své paže tak, aby zachytily síly zpětného rázu. Vaše tělo musí mít umístěno na jedné nebo druhé straně pilového listu, ale ne v přímce s pilovým listem.**

Zpětný ráz může způsobit, že pila odskočí zpět, ale síly zpětného rázu může obsluha kontrolovat v případě, když jsou učiněna náležitá preventivní opatření.

- b) **Když se pilový list ohýbá nebo když dojde z jakéhokoli důvodu k přerušení řezání, uvolněte vypínač a přidržte pilu bez pohybu v materiálu, dokud se pilový list zcela neuvede do klidu.**

Nikdy se nepokoušejte vytáhnout pilu ze součásti nebo zatáhnout pilu dozadu, když je pilový list v pohybu, neboť může dojít ke zpětnému rázu.

Zjistěte a proveďte nápravné opatření, aby se odstranila příčina ohýbání pilového listu.

- c) **Když pilu znovu spouštíte ve zpracovávaném materiálu, vystředte pilový list v řezu a zkontrolujte, zda zuby pily nejsou zaříznuté v materiálu.**

Jestliže se pilový list ohýbá, může se vysunout ze zpracovávaného materiálu nebo může dojít ke zpětnému rázu listu, jakmile se pila znovu uvede do chodu.

- d) **Rozměrné desky podložte, aby se zmenšilo na nejnižší míru riziko sevření pilového listu a jeho zpětného rázu.**

Rozměrné desky mají tendenci se vlastní hmotností prohýbat. Podpěry je třeba umístit pod deskou na obou stranách v blízkosti řezání a v blízkosti hrany desky.

- e) **Nepoužívejte otupené nebo poškozené pilové listy.**

V důsledku tupých nebo nesprávným způsobem nastavených pilových listů vzniká úzký řez, což je příčinou nadměrného tření, ohýbání pilového listu a zpětného rázu.

- f) **Zajišťovací páky hloubky a zesikmení pilového listu musí být před zahájením řezání utažené a zajištěné.**

Pokud se nastavení pilového listu při řezání posune, může to způsobit ohnutí nebo zpětný ráz.

- g) **Zvýšená opatrnost je potřebná při provádění "zapichovacího řezu" do existujících stěn nebo jiných nepřehledných míst.**

Vyčnívající pilový list se může zaříznout do nějakých předmětů a způsobit zpětný ráz.

BEZPEČNOSTNÍ POKYNY PRO PILY S VNITŘNÍM KYVNÝM OCHRANNÝM KRYTEM

- a) Před každým použitím zkontrolujte spodní ochranný kryt, zda je náležitě uzavřený. Neuvádějte pilu do provozu, jestliže spodní ochranné kryty se volně nepohybují a okamžitě se neuzavírají. Nikdy nezajistíte nebo nepřivazujte spodní ochranný kryt v otevřené poloze.

Jestliže pila nepřeváděně spadne, spodní ochranný kryt se může ohnout.

Zvedněte spodní ochranný kryt pomocí zatahovací páčky a zajistěte, aby se kryt volně pohyboval a nedotýkal se pilového listu nebo jakékoli jiné části ve všech úhlech a hloubkách řezání.

- b) Zkontrolujte funkci pružiny spodního ochranného krytu. Pokud ochranný kryt a pružina nemají správnou funkci, je třeba před použitím provést jejich opravu.

Spodní ochranný kryt může mít zpomalenou funkci v důsledku poškozených částí, lepkavých usad nebo vytvářením třisek.

- c) Spodní ochranný kryt je třeba zatáhnout ručně pouze v případě speciálních druhů řezání, jako je provádění "zapichovacích" a "složitých" řezů. Zvedněte spodní ochranný kryt pomocí zatahovací páčky a jakmile pilový list vnikne do materiálu, spodní ochranný kryt se musí uvolnit.

Pro všechna ostatní řezání musí spodní ochranný kryt pracovat automaticky.

- d) Vždy sledujte, zda spodní ochranný kryt zakrývá pilový list před umístěním pily na pracovní stůl nebo podlahu. Nechráněný pilový list dohánějící setvačností způsobí, že pila se posunuje dozadu a řeže vše, co mu stojí v cestě.

Zajistěte, aby se pilový list po uvolnění vypínače zastavil.

DALŠÍ BEZPEČNOSTNÍ PŘEDPISY PRO VŠECHNY PILY SE ŠTÍPACÍM NOŽEM

- a) Použijte vhodný štípací nůž pro použitý pilový kotouč. Aby štípací nůž mohl být funkční, musí mít větší tloušťku než těleso pilového kotouče, ale menší tloušťku než ozubení kotouče.

- b) Nastavte štípací nůž tak, jak je popsáno v tomto návodu.

Nesprávné umístění a vyrovnání vzdálenosti může způsobit, že štípací nůž není funkční, aby se zabránilo zpětnému rázu pily.

- c) Vždy používejte štípací nůž kromě případu, kdy provádíte zapichovací řezání.

Štípací nůž se musí po provedení zapichovacího řezání opět namontovat. Štípací nůž při zapichovacím řezání překáží a může způsobit zpětný ráz pily.

- d) Aby byl štípací nůž funkční, musí být zasunutý do řezaného materiálu.

Aby se zabránilo zpětnému rázu pily během provádění krátkých řezů, vyraď se štípací nůž z funkce.

- e) Neuvádějte pilu do provozu, když je štípací nůž ohnutý.

Dokonce i mírné bránění ve funkci může zpomalit rychlost zavírání ochranného krytu.

BEZPEČNOSTNÍ OPATŘENÍ PŘI POUŽITÍ KOTOUČOVÉ PILY

- Nepoužívejte pilové kotouče, které jsou deformované nebo prasklé.
- Nepoužívejte pilové kotouče vyrobené z rychlořezné oceli.
- Nepoužívejte pilové kotouče, které nesplňují parametry specifikované v těchto pokynech.
- Nezastavujte pilové kotouče bočním tlakem na kotouč.
- Pilové kotouče udržujte vždy ostré.
- Ujistěte se, že spodní ochranný kryt se pohybuje plynule a volně.
- Nikdy nepoužívejte kotoučovou pilu, když spodní ochranný kryt je upevněn v otevřené poloze.
- Ujistěte se, že zatahovací mechanismus ochranného systému má správnou funkci.
- Těleso pilových kotoučů musí být vždy užší než štípací nůž a šířka řezu nebo řezná spára (pomocí zubů) musí být větší než tloušťka štípacího nože.
- Nikdy nepracujte s kotoučovou pilou, když pilový kotouč je otočen nahoru nebo do boku.
- Zajistěte, aby materiál neobsahoval cizí předměty, jako jsou např. hřebíky.
- Štípací nůž je třeba používat vždy vyjma případu, kdy se provádí zapichování uprostřed řezaného materiálu.
- Pro modely C6U2 a C6BU2 by měl být rozsah pilových kotoučů od 165 mm do 162 mm.
Pro modely C7U2 a C7BU2 by měl být rozsah pilových kotoučů od 190 mm do 185 mm.
- U modelů C6BU2 a C7BU2 buďte opatrní na zpětný ráz brzdy.
Modely C6BU2 a C7BU2 jsou vybaveny elektrickou brzdou, která se uvede do činnosti, když se uvolní vypínač. Protože dochází ke zpětnému rázu při uvedení brzdy do činnosti, držte hlavní tělo nářadí pevně.
- Když se vypínač vypne, může někdy dojít ke vzniku jisker způsobených brzděním, neboť modely C6BU2 a C7BU2 používají elektrické brzdy.
Tento jev však nepředstavuje závadu nářadí.
- Když brzda u modelů C6BU2 a C7BU2 ztratí účinnost, vyměňte uhlíkové kartáčky za nové.
- Před prováděním jakéhokoli nastavování, oprav nebo údržby odpojte zástrčku ze zásuvky.

PARAMETRY

Model	C6U2	C6BU2	C7U2	C7BU2
Napětí (podle země určení)*	(110 V, 230 V) ~			
Hloubka řezání	90°	54 mm		66 mm
	45°	39 mm		48 mm
Příkon*	1100 W			1200 W
Otáčky bez zatižení	5500 min ⁻¹			
Hmotnost (bez šňůry)	3,5 kg			4,0 kg

*Zkontrolujte, prosíme, štítek na výrobku. Štítek podléhá změnám v závislosti na oblastech použití.

STANDARDNÍ PŘÍSLUŠENSTVÍ

- (1) Pilový kotouč (namontovaný na nářadí) 1
 (prům. 165 mm C6U2, C6BU2)
 (prům. 190 mm C7U2, C7BU2)
 - (2) Klíč na vnitřní šestihrany 1
 - (3) Vedení 1
 - (4) Křídlový šroub 1
 - (5) Páka (krátký typ) 1
 - (6) Sběrač prachu 1
- Standardní příslušenství podléhá změnám bez předchozího oznámení.

VOLITELNÉ PŘÍSLUŠENSTVÍ (dodává se samostatně)

- (1) Podložka (A)
 pro 16 mm (prům. otvoru pilového kotouče)
 pro 30 mm (prům. otvoru pilového kotouče)
- (2) Adaptér vodičí kolejničky (viz **obr. 13**)

Volitelné příslušenství podléhá změnám bez předchozího oznámení.

POUŽITÍ

Řezání různých typů dřeva.

PŘED POUŽITÍM

- 1. Zdroj napětí**
 Ujistěte se, že používaný zdroj napětí splňuje požadavky specifikované na štítku výrobku.
- 2. Spínač**
 Ujistěte se, že spínač je v poloze vypnuto. Pokud je zástrčka zasunuta v zásuvce elektrického proudu a spínač je v poloze „ON“, nástroj začne okamžitě pracovat, a to může způsobit vážný úraz.
- 3. Prodlužovací kabel**
 Pokud je pracoviště vzdáleno od zdroje, použijte prodlužovací kabel o správné tloušťce a kapacitě. Je třeba, aby prodlužovací kabel byl co nejkratší.
- 4. Připravte si dřevěnou pracovní desku (**obr. 1**)**
 Poněvadž pilový kotouč se vysune na druhou stranu spodní plochy dřevěného prkna, umístěte dřevěné prkno při řezání na pracovní stůl. Pokud se používá jako pracovní deska čtvercový blok, zajistěte, aby podklad byl pro dosažení náležité stability rovný. Práce na nestabilní pracovní desce je nebezpečná.

UPOZORNĚNÍ

Aby se zabránilo možnému vzniku nehody, vždy zajistěte, aby část dřevěného prkna zbylá po řezání byla bezpečným způsobem podepřena nebo přidržena v poloze.

SEŘÍZENÍ PILY PŘED POUŽITÍM

- 1. Seřízení hloubky řezu**
 Uchopte rukojeť jednou rukou tak, jak je zobrazeno na **obr. 2** a přitom uvolněte otočnou rukojeť druhou rukou. Hloubku řezu lze seřídít posunutím základové desky do požadované polohy. Tímto způsobem nastavte hloubku řezu a potom znovu pevně dotáhněte otočnou rukojeť.
- 2. Seřízení štípacího nože**
 Uvolněte šroub s vnitřním šestihranem pro upínání štípacího nože, nastavte štípací nůž tak, aby vzdálenost mezi štípacím nožem a okrajem pilového kotouče nebyla větší než 3 mm a okraj pilového kotouče nepřesahoval více než 3 mm přes nejspodnější okraj štípacího nože (**obr. 3**), a znovu pevně dotáhněte šroub.
- 3. Seřízení úhlu sklonu**
 Jak je znázorněno na **obr. 4 (A)** a **obr. 4 (B)** uvolněním křídlové matice na stupnici sklonu a křídlového šroubu na základové desce lze pilový kotouč naklonit do maximálního úhlu 45° vůči základové desce. Po seřízení se ujistěte, že křídlová matice a křídlový šroub jsou pevně dotaženy.
- 4. Seřízení vedení (**obr. 5**)**
 Polohu řezání lze seřídít posunutím vedení doleva nebo doprava po uvolnění jeho křídlového šroubu. Vedení lze namontovat buď na levé nebo pravé straně.
- 5. Seřízení vodičícího segmentu**
 Na okružní pile je možné provést jemné seřízení upevňovací polohy vodičícího segmentu, kdy je třeba vyrovnat pilový kotouč a předznačenou rysku. Před dodávkou z výrobního závodu je lineární část přední stupnice na vodičícím segmentu vyrovnána se střední polohou pilového kotouče (**obr. 6**). Pokud je poloha upnutá chybná, uvolněte šroub M4 na vodičícím segmentu a proveďte nezbytné seřízení polohy.
- 6. Použití sběrače prachu**
 Pro použití podtlakového čistícího zařízení pro zachycení pilin upevněte sací hadici ke sběrači prachu, který je připevněn k hlavnímu tělesu pomocí šroubů M4 a M5. Při upevňování sběrače prachu vždy vyměňte páku za krátký typ (**obr. 12**).

UPOZORNĚNÍ

Pokud budete nadále používat páku, která byla upevněna ve výrobním závodě před dodávkou, dochází k jejímu vážnutí na sběrači prachu a bránění ve funkci spodního ochranného krytu.

POSTUP PŘI ŘEZÁNÍ

1. Umístěte základovou desku na materiál, potom vyrovnajte předznačenou rysku a pilový kotouč s přední stupnicí na vodičícím segmentu v přední části základové desky (**obr. 6**).

Když není základní deska skloněná, použijte jako vedení velký výřez (**obr. 6, obr. 7 (A)**).

Když je základní deska skloněná (45 stupňů), použijte jako vedení malou přední stupnici (**obr. 6, obr. 7 (B)**).

- Ujistěte se, že vypínač je otočen do polohy ON (zapnuto) předtím, než se pilový kotouč dostane do styku s dřevěnou deskou. Vypínač je zapnut, když je pojistka stisknuta, a vypnut, když je pojistka uvolněna.
- Posuvem pily v přímém směru konstantní rychlostí se vytvoří optimální řez.

UPOZORNĚNÍ

Před řezáním zkontrolujte materiál, který budete řezat. Pokud očekáváte, že materiál bude vytvářet škodlivý / toxický prach, přesvědčte se, že sáček na prach nebo vhodný systém na odsávání prachu je pevně připojen k vývodu prachu.

Pokud máte k dispozici protiprachovou masku, použijte navíc i tu.

Ochranný povrch z PTFE se používá u základových desek typu C6BU2 a C7BU2. Netlačte příliš velkou silou na těleso nářadí, neboť jinak dochází k velkému zatížení motoru. Použitím mírného tlaku se segment posunuje snadněji a umožní řezání menší silou. Pokud se snažíte řezat dřevo, které je pokryto materiálem z tvrdých částic, jako je například písek nebo kovové třísky, dojde snadno k poškození ochranného povrchu plochy poškřábáním, proto buďte v tomto případě opatrní.

- Před uvedením pily do chodu se přesvědčete, že pilový kotouč dosáhl maximálního otáček.
- Pokud se při chodu pilový kotouč zastaví nebo se ozve neobvyklý hluk, okamžitě vypněte vypínač.
- Vždy dbejte na to, aby se první kabel nedostal do blízkosti otáčejícího se pilového listu.
- Práce s kotoučovou pilou, jejíž pilový kotouč je otočen nahoru nebo do boku, je velmi nebezpečná. Vyvarujte se tohoto neobvyklého způsobu použití.
- Při řezání materiálu vždy používejte ochranné brýle.
- Po dokončení práce vytáhněte zástrčku ze zásuvky.

MONTÁŽ A DEMONTÁŽ PÍLOVÉHO KOTOUČE

UPOZORNĚNÍ

Aby se zabránilo vážným nehodám, zajistěte, aby vypínač byl v poloze OFF (vypnuto) a odpojen od zdroje energie.

1. Demontáž pilového kotouče

- Nastavte intenzitu řezání na maximum a umístěte kotoučovou pilu tak, jak je zobrazeno na **obr. 8**.
- Stiskněte pojistnou páčku, zajistěte vřetenem a pomocí nástrčného klíče vymontujte šroub se šestihrannou hlavou.
- Přidrže spodní ochranný kryt tak, aby byl zcela zasunutý do víka pily, a současně vymontujte pilový kotouč.

2. Montáž pilového kotouče

- Důkladně odstraňte všechny piliny, které se zachytily na vřeteně, šroubu a podložkách.
- Podle **obr. 9** musí být bok podložky (A) stejného průměru jako vnitřní průměr pilového kotouče a vyduťtá strana podložky (B) namontována vystředěně k bokům pilového kotouče.

* Podložka (A) se dodává pro 2 typy pilového kotouče s průměry otvoru 16 mm a 30 mm. (Při koupi kotoučové pily se dodává jeden typ podložky (A)).

V případě, že průměr otvoru Vašeho pilového kotouče neodpovídá průměru podložky (A), spojte se prosím s obchodníkem, u kterého jste kotoučovou pilu zakoupili.

- Aby se zaručil správný směr otáčení pilového kotouče, musí se směr šipky na pilovém kotouči shodovat se směrem šipky na krytu pily.
- Dotáhněte rukou co možná nejvíce šroub se šestihrannou hlavou upevňující pilový kotouč. Potom stiskněte pojistnou páčku, zajistěte vřetenem a šroub náležitě dotáhněte.

UPOZORNĚNÍ

Po upevnění pilového kotouče se znovu ujistěte, že pojistná páčka je pevně zajištěná v předepsané poloze.

ÚDRŽBA A KONTROLA

1. Kontrola pilového kotouče

Protože používání tupého pilového kotouče snižuje účinnost a může způsobit nesprávný chod motoru, naostřete nebo vyměňte pilový list hned, jak zjistíte jeho otupení.

2. Kontrola šroubů

Pravidelně zkontrolujte všechny šrouby a ujistěte se, že jsou správně utažené. Pokud najdete některé šrouby uvolněné, ihned je utáhněte. Neutažené šrouby mohou vést k vážnému riziku.

3. Kontrola uhlíkových kartáčků (**Obr. 10**)

Motor obsahuje uhlíkové kartáčky, které se opotřebovávají. Vzhledem k tomu, že opotřebované kartáčky mohou vést k problémům s motorem, vyměňte kartáčky za nové se stejným číslem, jakmile se opotřebí nebo jsou na Mez opotřebení. Udržujte kartáčky v čistotě a zabezpečte jejich volný pohyb v držácích.

UPOZORNĚNÍ

- Při výměně uhlíkových kartáčků vždy použijte originální uhlíkové kartáčky firmy Hitachi s číslem uvedeným na výkrese.
- Pokud se použijí jiné uhlíkové kartáčky, než jsou uvedeny u modelu C6BU2 a C7BU2, nemusí být brzda funkční. Když brzda ztratí účinnost, vyměňte uhlíkové kartáčky za nové.

4. Výměna uhlíkových kartáčků

Šroubovákem sejměte kryty kartáčků. Poté lze kartáčky lehce vyjmout.

5. Údržba motoru

Vinutí motoru je srdce elektrického zařízení. Ujistěte se, že vinutí není poškozené nebo vlhké vodou nebo olejem.

6. Seřízení základové desky a pilového kotouče pro zachování kolmosti

Úhel mezi základovou deskou a pilovým kotoučem byl nastaven na 90°, pokud ovšem dojde z nějakého důvodu k porušení kolmosti, nastavte ji následujícím způsobem:

- Otočte základovou deskou (**obr. 11**) nahoru a uvolněte křídlovou matici a křídlový šroub (**obr. 4 (A), obr. 4 (B)**).
- Pro základovou deskou a pilový kotouč použijte čtyřhran a otočením seřizovacího šroubu s drážkou v hlavě pomocí šroubováku přesuňte základovou deskou pro vytvoření požadovaného pravého úhlu.

7. Seznam servisních položek

- A: Číslo položky
- B: Kód položky
- C: Číslo použití
- D: Poznámky

POZOR

Oprava, modifikace a inspekce zařízení Hitachi musí být prováděny autorizovaným servisním střediskem Hitachi.

Tento seznam servisních položek bude pomocí, předložíte-li jej s vaším zařízením autorizovanému servisnímu středisku Hitachi společně s požadavkem na opravu nebo další servis.

Při obsluze a údržbě elektrických zařízení musí být dodržovány bezpečnostní předpisy a normy platné v každé zemi, kde je výrobek používán.

MODIFIKACE

Výrobky firmy Hitachi jsou neustále zdokonalovány a modifikovány tak, aby se zavedly nejposlednější výsledky výzkumu a vývoje.

Následně, některé díly (např. čísla kódů nebo návrh) mohou být změněny bez předešlého oznámení.

ZÁRUKA

Ručíme za to, že elektrické nářadí Hitachi splňuje zákonné/ místně platné předpisy. Tato záruka nezahrnuje závady nebo poškození vzniklé v důsledku nesprávného použití, hrubého zacházení nebo normálního opotřebení. V případě reklamace zašlete prosím elektrické nářadí v nerozebraném stavu společně se ZÁRUČNÍM LISTEM připojeným na konci těchto pokynů pro obsluhu do autorizovaného servisního střediska firmy Hitachi.

POZNÁMKA

Vlivem stále pokračujícího výzkumného a vývojového programu HITACHI mohou zde uvedené parametry podléhat změnám bez předchozího upozornění.

Informace o hluku a vibracích

Měřené hodnoty byly určeny podle EN60745 a deklarovány ve shodě s ISO 4871.

Změřená vážená hladina akustického výkonu A: 101 dB(A)
Změřená vážená hladina akustického tlaku A: 90 dB(A)
Neurčitost KpA: 3 dB(A)

Použijte ochranu sluchu.

Typická vážená střední hodnota zrychlení nepřesahuje:
2,1 m/s²

GENEL ELEKTRİKLİ ALET GÜVENLİK UYARILARI

⚠ DİKKAT

Tüm güvenlik uyarılarını ve tüm talimatları okuyun.

Uyarılara ve talimatlara uyulmaması elektrik çarpmasına, yangına ve/veya ciddi yaralanmaya neden olabilir.

Bu kılavuzu gelecekte başvurmak üzere saklayın.

Uyarılarda kullanılan "elektrikli alet" terimi, şebeke elektrikle çalışın (kablolu) veya pille çalışın (kablesiz) elektrikli aletinizi belirtir.

1) Çalışma alanının güvenliği

- Çalışma alanı temiz ve iyi aydınlatılmış olmalıdır.**
Dağınık veya karanlık alanlar kazalara davetiye çıkarır.
- Elektrikli aletleri yanıcı sıvı, gaz veya toz patlayıcı maddelerin bulunduğu ortamlarda çalıştırmayın.**
Elektrikli aletlerin çıkardığı kıvılcıklar toz veya gaz halinde bu maddeleri ateşleyebilir.
- Bir elektrikli aletle çalışırken çocukları ve izleyicileri uzaklaştırın.**
Dikkatinizin dağılması kontrolü kaybetmenize neden olabilir.

2) Elektrik güvenliği

- Elektrikli aletin fişi elektrik prizine uygun olmalıdır. Fişi herhangi bir şekilde değiştirmeyin. Topraklanmış elektrikli aletlerle herhangi bir adaptör kullanmayın.**
Fişlerde değişiklik yapılmaması ve uygun prizlerde kullanılması elektrik çarpması riskini azaltacaktır.
- Borular, radyatörler, fırınlar ve buzdolapları gibi topraklanmış yüzeylerle gövde temasından kaçının.**
Vücudunuzun toprakla temasa geçmesi halinde elektrik çarpması riski artar.
- Elektrikli aletleri yağmura veya ıslak ortamlara maruz bırakmayın.**
Elektrikli alete su girmesi elektrik çarpması riskini artıracaktır.
- Elektrikli kablolarına zarar vermeyin. Elektrikli aleti taşımak, çekmek veya fişini prizden çıkarmak için kabloyu kullanmayın.**
Kabloyu ısıdan, yağdan, keskin kenarlardan veya hareketli parçalardan uzak tutun. Hasar görmüş veya dolaşmış kablolar elektrik çarpması riskini artırır.
- Elektrikli aleti açık alanda kullanırken, açık alanda kullanıma uygun bir uzatma kablosu kullanın.**
Açık alanda kullanıma uygun bir kablo kullanılması elektrik çarpması riskini azaltır.
- Eğer bir elektrikli aletin ıslak bir yerde kullanılması kaçınılmaz ise, artık akım cihazıyla (RCD) korunan bir güç kaynağı kullanın.**
RCD kullanılması elektrik çarpması riskini azaltır.

3) Kişisel emniyet

- Bir elektrikli alet kullanırken daima tetikte olun; yaptığınız işi izleyin ve sağduyulu davranın.**
Aleti yorgunken, alkol veya ilaç etkisi altındayken kullanmayın.
Elektrikli aletleri kullanırken göstereceğiniz bir anlık dikkatsizlik ciddi yaralanmayla sonuçlanabilir.
- Kişisel koruyucu donanım kullanın. Daima koruyucu gözlük takın.**
Uygun koşullar için kullanılan toz maskesi, kaymaz emniyet ayakkabıları, kask veya kulak koruyucu gibi koruyucu ekipmanlar yaralanmaları azaltacaktır.

- Aletin istenmeden çalışmasını engelleyin. Aleti güç kaynağına ve/veya akü ünitesine bağlamadan, kaldırmadan veya taşımadan önce, güç düğmesinin kapalı konumunda olduğundan emin olun.**
Elektrikli aletleri parmağınızın güç düğmesinin üzerinde olarak taşımamız veya güç düğmesi açılmış durumda fişini takmamız kazalara davetiye çıkarır.
 - Aletin gücünü açmadan önce alet üzerindeki ayar veya somun anahtarlarını çıkarın.**
Aletin dönen parçalarından birine bağlı kalan bir somun anahtarı veya ayar anahtarı yaralanmaya yol açabilir.
 - Çok fazla yaklaşmayın. Uygun bir adım mesafesi bırakın ve sürekli olarak dengeyi koruyun.**
Böylece, beklenmedik durumlarda aleti daha iyi kontrol etmeniz mümkün olur.
 - Uygun şekilde giyinin. Bol elbiseler giymeyin ve takı eşyaları takmayın. Saçlarınızı, elbisenizi ve eldivenlerinizi hareketli parçalardan uzak tutun.**
Bol elbiseler, takılar veya uzun saçlar hareketli parçalara takılabilir.
 - Eğer toz çekme ve toplama bağlantıları için gerekli aygıtlar sağlanmışsa, bunların bağlı olduğundan ve doğru şekilde kullanıldığından emin olun.**
Toz toplama kullanımı, tozla ilişkili tehlikeleri azaltabilir.
- ### 4) Elektrikli aletin kullanımı ve bakımı
- Elektrikli aleti zorlamayın. Yapacağınız iş için doğru alet kullanın.**
Doğru alet, işinizi daha iyi ve tasarlanmış olduğu hız değerinde daha güvenli şekilde yapacaktır.
 - Elektrikli alet güç düğmesinden açılıp kapanmıyorsa, aleti kullanmayın.**
Güç düğmesiyle kontrol edilemeyen bir alet tehlikelidir ve tamir edilmeden kullanılmamalıdır.
 - Herhangi bir ayar yapmadan, aksesuarları değiştirmeden veya aleti saklamadan önce fişi güç kaynağından ve/veya akü ünitesinden sökün.**
Bu koruyucu güvenlik önlemleri, elektrikli aletin kazayla çalışma riskini azaltır.
 - Atıl durumdaki elektrikli aletleri çocukların ulaşamayacağı bir yerde saklayın ve elektrikli alet ve bu kullanım talimatları hakkında bilgi sahibi olmayan kişilerin aleti kullanmasına izin vermeyin.**
Elektrikli aletler eğitimsiz kullanıcıların elinde tehlikelidir.
 - Elektrikli aletin bakımını yapın. Hareketli parçalarda yanlış hizalanma veya sıkışma olup olmadığını, kırık parça olup olmadığını ve elektrikli aletin çalışmasını etkileyebilecek diğer koşulları kontrol edin.**
Eğer hasar varsa, kullanmadan önce aleti tamir ettirin. Kazaların çoğu elektrikli aletlere kötü bakım işlemleri uygulanmasından kaynaklanmaktadır.
 - Aletleri keskin ve temiz tutun.**
Uygun şekilde bakımı yapılan, keskin kenarlara sahip aletlerin sıkışma ihtimali daha azdır ve kontrol edilmesi daha kolaydır.
 - Elektrikli aleti, aksesuarları, uçları, v.b., bu talimatlara uygun şekilde, çalışma koşullarını ve yapılacak işi göz önünde bulundurarak kullanın.**
Elektrikli aletin amaçlanan kullanımlardan farklı işlemler için kullanılması tehlikeli bir duruma yol açabilir.
- ### 5) Servis
- Elektrikli aletinizin servisini sadece orijinal yedek parçalar kullanmak suretiyle uzman bir tamirciye yaptırın.**
Böylece, elektrikli aletin güvenli kullanımı sağlanacaktır.

ÖNLEM

Çocukları ve zayıf kişileri uzak tutun.

Alet, kullanılmadığı zamanlarda çocukların ve zayıf kişilerin ulaşamayacağı bir yerde saklanmalıdır.

BÜTÜN TESTERELER İÇİN GÜVENLİK TALİMATLARI

- a) **⚠ TEHLİKE:** Ellerinizi kesim alanı ve de testere bıçağından uzak tutun. Kullanmadığınız eli, yardımcı kollun üzerinde veya motorun muhafazasında tutun. Eğer iki eliniz de testereyi tutuyorsa, testere bıçağı tarafından kesilmesi mümkün değildir.
- b) **Üzerinde çalışılacak parçanın altına elinizi sokmayın.** Testerenin üzerindeki koruyucu, sizi çalışılan parçanın altındaki bıçaktan korumaz.
- c) **Kesim derinliğini, üzerinde çalışılacak parçanın kalınlığına göre ayarlayınız.** Sadece tam bir testere dışından fazlası çalışılacak parçanın altından görünmeyecek şekilde çalışın.
- d) **Hiçbir zaman kesilecek parçayı elinizle veya iki bacağıyla tutmaya çalışmayın.** Parçayı güvenli bir şekilde sağlam bir platforma bağlayın. Kontrolden çıkma, bıçağın kilitlemesi veya vücuda gelebilecek zararları asgari düzeyde tutabilmek için üzerinde çalışılan parçayı düzgün bir şekilde desteklemek önemlidir.
- e) **Elektrikli alet, gizli elektrik tertibatı veya güç kablosuna temas edebileceği çalışma ortamlarında, aletinizi yalıtık kavrama yüzeylerinden tutun.** "Akım yüklü" bir telle temas, aletin metal kısımlarını da "iletken" hale getirir ve kullanıcıyı elektrik çarpar.
- f) **Oluk açarken her zaman oluk açma tertibatı veya düz kenar klavuzunu kullanın.** Böylece kesim hassasiyetini geliştirmiş ve bıçağın kilitleme ihtimalini de azaltmış olursunuz.
- g) **Her zaman doğru tip (yuvarlak veya elmas) ve büyüklükteki bıçakları kullanın.** Montaj donanımına uymayan bıçakların kullanılması durumunda, testere eksantrik dönmeye başlar ve kontrolten çıkmasına neden olur.
- h) **Hiçbir zaman hasarlı veya yanlış bıçak rondelası veya civatası kullanmayın.** Testerenin için özel olarak tasarlanmış bıçak rondela ve civatalar, aletinizin optimum verimlikte güvenli işletimini sağlar.

BÜTÜN TESTERELER İÇİN DİĞER GÜVENLİK TALİMATLARI

Gerçek tepmenin nedenleri ve kullanıcı tarafından önlenmesi:

- geri tepme: sıkışma, yapışma veya iyi hizalanmadan dolayı testere bıçağının ani tepki yaratması ve bundan dolayı testerenin kontrolsüz olarak yukarıya kalkması ve işlenen parçanın kullanıcıya doğru gelmesine neden olur;
- kesim deliğinin kapanması sonucu bıçağın sıkışması veya sıkıca yapışması durumunda, bıçak kilitletir ve motorun gücüyle ünite hızla kullanıcıya doğru yönelir;
- eğer bıçak eğilir veya kesimin içersinde hizalanmamış konumda olursa, bıçağın arka köşesindeki diş, ahşap yüzeyi yakalayıp üzerine tırmanabilir ve bıçak kesikten fırlar ve kullanıcıya doğru yönelir.

Gerçek tepme, testerenin doğru kullanılmaması ve/veya yanlış kullanım yöntemlerinin uygulanmasından dolayı oluşur ve aşağıda belirtilen doğru yöntemleri izleyerek önlenbilir.

- a) **İki elinizle testereyi sıkıca kavrayın ve kollarınızı geri tepme kuvvetine direnç gösterecek konumda tutun.** Vücutunuzun bıçağın sağ veya sol tarafında olmalı, kesinlikle bıçakla aynı çizgi üzerinde bulunmamalıdır. Gerçek tepme testereyi geriye doğru sıçratabilir fakat doğru önlemler alınırca, gerçek tepme kuvveti kullanıcı tarafından kontrol edilebilir.
- b) **Eğer bıçak yapışıyor veya herhangi bir nedenden dolayı kesime ara vermek isteniyorsa, tetiği bırakın ve testereyi bıçak tamamen durana kadar parçanın üzerinde hareket ettirmeden tutun.** Bıçak hareket halinde iken asla testereyi parçadan ayırmaya veya geriye doğru çıkartmaya çalışmayın. Aksi takdirde gerçek tepelir. Bıçak yapışmasının nedenini araştırın ve düzeltici önlemleri alın.
- c) **Testereyi parçanın üzerine tekrar yerleştirirken, kesimin içersine tam ortalanın ve dışlarının materyalin içersine geçmediğinden emin olun.** Eğer testere bıçağı yapışıyor, testere tekrar çalıştırıldığında parçanın üzerine atlayabilir veya gerçek tepelir.
- d) **Gerçek tepme ve bıçak yapışması riskini azaltmak için büyük panel parçalarını işlerken destek kullanın.** Büyük paneller genelde kendi ağırlıklarının üzerinde bel verirler. Panelin altına her iki taraftan kesim çizgisine ve panelin köşesine yakın, destek verilmesi gerekir.
- e) **Körelmiş veya hasar görmüş bıçakları kullanmayın.** Keskin olmayan veya yanlış yerleştirilmiş bıçaklar dar bir kesik oluştururlar. Bu da aşırı sürtünme, bıçak yapışması ve gerçek tepmeye yol açabilir.
- f) **Kesime başlamadan önce bıçak derinliği ve açısını ayarlayan kilitlenebilen kolların sıkı sıkıya kapalı olması gerekir.** Eğer kesim sırasında bıçak ayarı oynarsa, sıkışma ve gerçek tepmeye neden olabilir.
- g) **Duvarının içersine veya arkası görünmeyen diğer yerlerde "dalarak kesme" yaparken daha fazla dikkat gösterin.** İçeri giren bıçak görünmeyen cisimleri kesebilir, bu da gerçek tepki yaratabilir.

PANDÜL KORUYUCULU VEYA ÇEKME KORUYUCULU TESTERELER İÇİN GÜVENLİK TALİMATLARI

- a) **Her kullanıştan önce alt koruyucunun düzgün kapandığını kontrol edin.** Alt koruyucu rahatça hareket etmiyor veya hemen kapanmıyorsa, testereyi kullanmayın. Hiçbir şekilde alt koruyucuyu açık pozisyonunda, kelepçeyle veya iple bağlamayın. Eğer testere kazayla düşürürse, alt koruyucu eğilebilir. Gerçek çekme kolu yardımıyla alt koruyucuyu kaldırın ve her açıda ve kesim derinliğinde, rahatça oynadığından ve de bıçak veya herhangi bir parçaya değmediğinden emin olun.
- b) **Alt koruyucu yayının işlevliğini kontrol edin.** Eğer koruyucu ve yay düzgün çalışmıyorsa, kullanımdan önce aletinizin bakımı yapılmalıdır. Hasarlı parçalar, yapışkan çökeltiler veya tortu birikmesi, alt koruyucu işlevini kötüleştirir.

- c) Sadece “dalarak kesim” ve “birleşik kesim” gibi özel kesimleri yaparken, alt koruyucu elle işletilerek geriye çekilmelidir. Kolu geriye çekerek alt koruyucuyu kaldırın ve bıçak malzemenin içersine girer girmez alt koruyucu bırakılmalıdır. Diğer kesme işlemlerinde alt koruyucu otomatik işlev görmelidir.
- d) Testereyi tezgahın üzerine veya yere bırakmadan önce alt koruyucunun, bıçağı kapadığını her zaman kontrol edin. *Korunmamış, yalpalayan bir bıçak, testerenin geriye doğru yürütmesine ve yolunun üzerindeki her şeyi kesmesine sebep olur. Anahtar bırakıldıktan sonra bıçağın tamamen durmasına kadar olan sürenin farkında olun.*

YARMA BİÇAKLI BÜTÜN TESTERELER İÇİN EK GÜVENLİK TALİMATLARI

- a) Kullanılan bıçağa uygun yarma bıçağı kullanın. *Yarma bıçağının doğru işlemleri için bıçak gövdesinden daha büyük fakat bıçağın dış takımlarından daha ince olması lazımdır.*
- b) Bu kullanım kılavuzunda belirtildiği gibi yarma bıçağının ayarlanması. *Yanlış aralık, pozisyon ve hizalama, yarma bıçağının geri tepme önleminde etkisiz kalmasına neden olur.*
- c) Dalarak kesme dışında her zaman yarma bıçağı kullanın. *Dalarak kesmeden sonra yarma bıçağı değiştirilmelidir. Yarma bıçağı dalarak kesim sırasında sorun yaratır ve geri tepmeye neden olabilir.*
- d) Yarma bıçağının düzgün çalışması için işlenen parçaya direk uygulanması gerekir. *Kısa kesimler sırasında yarma bıçağı geri tepmeye karşı etkili değildir.*
- e) Eğer yarma bıçağı burkulmuşsa testereyi kullanmayın. *Sadece çok az bir eğiklik bile koruyucunun kapatma hızını yavaşlatabilir.*

DİSK TESTEREYİ KULLANIRKEN ALINACAK ÖNLEMLER

- Çatlamış veya deforme olmuş testere bıçaklarını kullanmayın.
- Yüksek hız çeliğinden yapılmış testere bıçaklarını kullanmayın.
- Bu talimatlardaki özelliklere uymayan testere bıçaklarını kullanmayın.
- Yanal basınç uygulayarak testere bıçaklarını durdurmaya çalışmayın.
- Testere bıçaklarını her zaman için keskin tutun.
- Alt koruyucunun yumuşak ve rahatça hareket ettiğinden emin olun.
- Hiçbir şekilde alt koruyucu açık pozisyonundayken disk testereyi kullanmayın.
- Koruyucu sistemi geri çekme düzeneğinin doğru çalıştığından emin olun.
- Testere bıçağının gövdesi yarma bıçağı ve kesimin genişliğinden ince veya kesim (dış takımlı) yarma bıçağının kalınlığından daha büyük olmalıdır.
- Hiçbir şekilde testere bıçağı yukarı veya kenara dönük iken disk testereyi kullanmayın.
- Malzemenin çivi gibi yabancı maddelerden arınmış olmasına dikkat edin.
- Çalışılacak parçanın üzerine ortadan dalma işlemi dışında, yarma bıçağı her zaman için kullanılmalıdır.
- Sadece C6U2 ve C6BU2 modelleri için testere bıçakları 165 mm ile 162 mm arasında olmalıdır. Sadece C7U2 ve C7BU2 modelleri için testere bıçakları 190 mm ile 185 mm arasında olmalıdır.
- C6BU2 ve C7BU2 modellerinde, frenleme mekanizması geri tepme etkisi gösterebileceğinden dikkat edilmesi gerekir.
- C6BU2 ve C7BU2 modelleri, anahtar bırakıldığında çalışacak elektronik bir fren mekanizmasına sahiptir. Fren mekanizması çalıştığına bazı geri tepmeler olacağından aletin ana gövdesini sıkı tutuğunuzdan emin olun.
- C6BU2 ve C7BU2 modelleri elektronik bir fren mekanizması kullandığından anahtar kapatıp kapanın frenleme yapıldığına bazen kılıçlar çıkabilir. Fakat bu alette bir sorun olduğu anlamına gelmez.
- C6BU2 ve C7BU2 modelleri için frenleme mekanizması etkisiz olmaya başladığında kömür fırçalarını yenileriyle değiştirin.
- Herhangi bir tamir, bakım veya ayarlama yapmadan önce fişi prizden çekin.

TEKNİK ÖZELLİKLER

Model	C6U2	C6BU2	C7U2	C7BU2
Voltaj (bölgelere göre)*	(110 V, 230 V) ~			
Kesim Derinliği	90°	54 mm	66 mm	
	45°	39 mm	48 mm	
Güç girişi*	1100 W		1200 W	
Yüksüz hız	5500 min ⁻¹			
Ağırlık (kablo hariç)	3,5 kg		4,0 kg	

*Bu değer bölgeden bölgeye değişiklik gösterdiği için ürünün üzerindeki plakayı kontrol etmeyi unutmayın.

STANDART AKSESUARLAR

- (1) Testere bıçağı (aletin üzerine takılı) 1
 (Çap 165 mm C6U2, C6BU2)
 (Çap 190 mm C7U2, C7BU2)
- (2) Altıgen Çubuk Anahtarı 1
 (3) Kılavuz 1
 (4) Kelebek civata 1
 (5) Kol (kısık tip) 1
 (6) Toz toplayıcı 1
- Standart aksesuarlarda önceden bildirimde bulunulmadan değişiklik yapılabilir.

İSTEĞE BAĞLI AKSESUARLAR (ayrıca satılır)

- (1) İçin (A) pulu
 16 mm (Testere bıçağı deliğinin çapı)
 30 mm (Testere bıçağı deliğinin çapı)
- (2) Kılavuz Makara Adaptörü (bkz. Şekil 13)

İsteğe bağlı gelen aksesuarlarda önceden bildirimde bulunulmadan değişiklik yapılabilir.

UYGULAMA

Çeşitli ahşapların kesimi.

ALETİ KULLANMADAN ÖNCE

1. Güç kaynağı

Kullanılan güç kaynağının, ürünün üzerinde bulunan plakada belirtilen güç gerekliliklerine uygun olduğundan emin olun.

2. Açma/ Kapama anahtarı

Açma/ kapama anahtarının OFF konumunda olduğundan emin olun. Açma/ kapama anahtarı ON konumundayken aletin fişi prize takılırsa, alet derhal çalışmaya başlar ve ciddi kazalar meydana gelebilir.

3. Uzatma kablosu

Çalışma alanı güç kaynağından uzakta olduğunda, yeterli kalınlıkta ve belirtilen gücü kaldıracak bir uzatma kablosu kullanın. Uzatma kablosu olabildiğince kısa tutulmalıdır.

4. Tahta çalışma tezgahının hazırlanması (Şekil 1)

Testere bıçağı kesim sırasında, kerestenin alt yüzeyinin de aşağısına ulaşacağı için, kesilecek keresteyi bir çalışma tezgahının üzerine koyun. Eğer tezgah yerine kare bir blok kullanılacaksa, düzgün sabitlenmesi için düz bir zemin seçin. Dengesiz bir çalışma tezgahı, tehlikeli bir çalışma ortamı yaratır.

UYARI

Olası kazaları önlemek için, her zaman kesim sonrası arta kalacak parçanın emniyetli bir şekilde sabitlendiğinden veya tutulduğundan emin olun.

KULLANILMADAN ÖNCE TESTERENİN AYARLANMASI

1. Kesim derinliğinin ayarlanması

Şekil 2'de gösterildiği gibi aletin sapını biri elle tutarken öbür elinizle tokmak düğmesini gevşetin. Kesim derinliği alt taban kısmı oynatarak ayarlanabilir. Kesim derinliğini bu şekilde ayarladıktan sonra tokmak düğmesini tekrar sıkıca sıkıştırın.

2. Yarma bıçağının ayarı

Yarma bıçağını kenetleyen altıgen başlı civatayı gevşeterek yarma bıçağını, testere bıçak kenarı ile yarma bıçak arasındaki uzaklık 3 mm'yi geçmeyecek ve de testere bıçak kenarı yarma bıçağının en alt köşesinden 3 mm'den daha uzun olmayacak (Şekil 3) şekilde ayarlayın. Sonradan civatayı tekrar iyice sıkıştırın.

3. Eğim açısı ayarı

Şekil 4 (A), Şekil 4 (B)'de gösterildiği gibi eğim ölçeğinin üzerindeki kelebek somunu ve tabanın üzerindeki kelebek civatayı gevşeterek, testere bıçağı tabana en fazla 45° derecelik bir açıda eğilebilir. Bu ayarlamayı yaptıktan sonra kelebek somun ve kelebek civatanın sıkıca tekrar kenetlendiğinden emin olun.

4. Kılavuzun kontrolü (Şekil 5)

Kelebek vida gevşetildikten sonra kılavuzu sağa veya sola oynatarak, kesim pozisyonu kontrol edilebilir. Kılavuz, aletin sağ veya sol tarafına takılabilir.

5. Kılavuz parçasının ayarı

Daire testerede, testere bıçağını önceden işaretli çizgilerle hizalayarak, kılavuz parçası sabitleme pozisyonuna ince ayar yapmak mümkündür. Fabrikadan çıktığında kılavuz parçasının üzerindeki ön ölçeğin doğrusal kısmı, testere bıçağının ortasına gelecek şekilde hizalanmıştır (Şekil 6). Kılavuz parçasının üzerindeki sabitlenmiş M4 vidası gevşetilerek, eğer sabitleme pozisyonu bozursa gerekli düzeltmeler yapılır.

6. Toz toplayıcının kullanımı

Elektrik süpürgesiyle talaş toplamak için emme hortumunu, ana üniteye M4 ve M5 vidalarının ile takılı olan toz toplayıcıya bağlayın. Toz toplayıcıyı takarken her zaman için kolun kısık tip bir kolla değiştirildiğinden emin olun (Şekil 12).

UYARI

Fabrika çıkışında ana üniteye takılı gelen kolun kullanılmaya devam edilmesi toz toplayıcının üzerine yapışmasına ve alt koruyucunun düzgün çalışmasına engel olur.

KESME İŞLEMİ

- Testere tabanını kesilecek malzemenin üzerine yerleştirin ve sonra tabanın ön tarafında bulunan kılavuz parçasındaki ölçeği kullanarak, önceden işaretli çizgi ile testere bıçağını hizalayın (Şekil 6). Taban yana yatık değilse, büyük kesilmiş kısmı kılavuz olarak kullanın (Şekil 6, Şekil 7 (A)). Taban yana yatık (45° derecede), ön taraftaki ölçeği kılavuz olarak kullanın (Şekil 6, Şekil 7 (B)).
- Testere bıçağı keresteye değmeden önce anahtarın AÇIK (ON) konuma getirildiğinden emin olun. Tetik çekildiğinde anahtar AÇIK (ON), tetik bırakıldığında ise KAPALI (OFF) konuma gelir.
- En uygun kesim şekli, testereyi sabit bir hızda ve düz bir şekilde işletmektir.

UYARILAR

Kesme işlemine başlamadan önce kesilecek malzemenin emin olun. Eğer kesilecek malzemenin zararlı veya toksik toz madde üretmesi söz konusu ise, toz torbasının veya toz toplayıcı takımın toz çıkışına sıkıca bağlı olduğundan emin olun.

Eğer sağlanmışsa, ek olarak toz maskesi kullanın. C6BU2 ve C7BU2 tiplerinde tabana PTFE sürülmüştür.

Motoru zorlayacağı için ünitenin gövdesine çok kuvvetlice bastırmamaya özen gösterin. Hafif bir baskı gücü parçanın daha kolayca kaymasını ve daha az bir kuvvetle kesimini sağlar. Kum veya metal parçacık kaplı tahta malzemeleri kesmeye çalışılmak dış yüzey kaplamasını kolayca çizebilir. Bu yüzden çok dikkat edilmesi gerekir.

- Testereyi başlatmadan önce bıçağın tam devir hızına ulaştığından emin olun.
- Testere bıçağının durması veya çalışma esnasında anormal bir ses çıkarması durumunda derhal şalteri KAPATIN.
- Dönen testere bıçağının yakınlarına aletin güç kablosunun gelmesini önlemek için her zaman dikkatli olun.
- Disk testeresini, testere bıçağı yan tarafa veya yukarıya dönük pozisyonda kullanmak çok tehlikelidir. Bu tür olduğandışı uygulamalardan kaçınılmalıdır.
- Malzeme kesimi sırasında her zaman koruyucu gözlük takılmalıdır.
- İşiniz bittiğinde aletin fişini prizden çıkartın.

TESTERE BİÇAĞININ TAKILMASI VE SÖKÜMÜ

UYARI

Ciddi kazalardan korunmak için, güç anahtarının KAPALI (OFF) pozisyonunda ve de güç kaynağı bağlantısının kesik olduğundan emin olun.

1. Testere bıçağının sökülmesi

- (1) Kesim hacmini maksimuma ayarlayın ve Disk Testereyi **Şekil 8'**de gösterildiği gibi yerleştirin.
- (2) Kilit iğnesine basarak mili kilitleyin ve alyan anahtarını kullanarak altıgen başlı civatayı çıkarın.
- (3) Alt koruyucu kolunu tamamen teskere kapağının içersine geri çekilmiş konumda tutarken, testere bıçağını çıkarın.

2. Testere bıçağının takılması

- (1) Mil, civata ve pulları üzerine biriken talaş parçacıklarını tamamen temizleyin.
- (2) **Şekil 9'**de gösterildiği gibi, arzu edilen testere bıçağının iç çapı ile aynı çapta olan (A) Pullunun kenarıyla (B) pullunun konkav kenarları, testere bıçağının kenarlarına yerleştirilmelidir.
 - * (A) pullu iki tip testere bıçağı (16 mm ve 30 mm delik çaplı) için sağlanmıştır; (Disk Testere satın alınırken, tek tip (A) pullu sağlanmıştır.)
Testere bıçağının delik çapı (A) pulluna uymaması durumunda, lütfen Disk Testereyi satın aldığınız alışveriş merkezine başvurunuz.
- (3) Testere bıçağının doğru yönde dönmelerini sağlamak için, bıçağın üzerindeki yön ok işaretinin testere kapağının üzerindeki işaretle aynı yönde olmasına dikkat edilmelidir.
- (4) Parmaklarınızı kullanarak testere bıçağını tutan altıgen başlı civatayı mümkün olduğu kadar sıkıştırın. Sonra kilit koluna basıp, mili kilitleyin ve civatayı iyice sıkıştırın.

UYARI

Testere bıçağını taktıktan sonra kilit kolunun, istenilen pozisyona oturduğuna yeniden kontrol edin.

BAKIM VE İNCELEME

1. Testere bıçağının incelenmesi

Körelmiş bir testere bıçağının kullanılması verimliliği düşürecek gibi motorun da arızalanmasına yol açabilir. Dışerde aşınma görür görmez, testere bıçağını bileyin veya yenileyin.

2. Montaj vidalarının incelenmesi

Tüm montaj vidalarını düzenli olarak inceleyin ve sağlam şekilde sıkılı olduğundan emin olun. Gevşeyen vidaları derhal sıkın. Gevşemiş vidalar ciddi tehlikelere yol açabilir.

3. Kömürlerin Kontrol Edilmesi (Şekil 10)

Motor sürekli olarak, tüketilebilir parçalar olan kömürleri kullanır. Aşırı derece aşınmış kömürler motorda soruna neden olabileceğinden, kömür bittiğinde veya "aşınma sınırına" geldiğinde, şekilde gösterilen kömür tanımlama sayısına sahip yeni bir kömürle değiştirin. Ayrıca, kömürlerin her zaman temiz olduğundan ve kömür tutucularının içinde rahatça kayabildiklerinden emin olun.

UYARI

- Kömür fırçalarını yenileriyle değiştirdiğinizde her zaman çizimde belirtilen numaralı orijinal Hitachi kömür fırçalarını kullanın.
- Model C6BU2 ve C7BU2'lerinde belirtilen kömür fırçaları dışındaki parçaların kullanılması halinde fren mekanizması çalışmayabilir. Frenleme etkisiz duruma geldiğinde karbon kömürlerini yenileriyle değiştirin.

4. Kömürün Değiştirilmesi

Kömür kapaklarını düz uçlu bir tornavidayla çıkardıktan sonra kömürü kolaylıkla değiştirebilirsiniz.

5. Motorun incelenmesi

Motor biriminin sargıları, bu ağır iş aletinin "kalbidir". Sargının hasar görmemesi için ve/veya yağ ya da su ile ıslanmadığından emin olun.

6. Dikeyliği korumak amacıyla taban ve testere bıçağının ayarlanması

Taban ve testere bıçağının arasındaki açı 90° dereceye ayarlanmıştır. Herhangi bir nedenden dolayı bu dikeylik kaybolursa, aşağıda belirtilen şekilde ayar yapın:

- (1) Tabanı yüzü yukarıya gelecek şekilde çevirin (**Şekil 11**) ve kelebek somun ve kelebek civatayı gevşetin (**Şekil 4 (A)**, **Şekil 4 (B)**).
- (2) Taban ve testere bıçağının arasına bir kare parça koyun ve düz başlı bir tornavida yardımıyla düz vidayı çevirerek, alt tabanın pozisyonunu istenilen dik açı sağlanacak şekilde kaydırın.

7. Servis parçaları listesi

- A: Parça no.
- B: Kod no.
- C: Kullanılan sayı
- D: Açıklamalar

DİKKAT

Hitachi Ağır İş Aletlerinin bakımı, değiştirilmesi ve incelenmesi, Hitachi Yetkili Servis Merkezlerince gerçekleştirilmelidir.

Bu Parça Listesi, tamir veya herhangi başka bir bakım gerektiğinde Hitachi Yetkili Servis Merkezine çok yardımcı olur.

Ağır iş aletlerinin kullanımı ve bakımı konusunda her ülkede yürürlükte olan güvenlik düzenlemelerine ve standartlarına uygun davranılmalıdır.

DEĞİŞİKLİKLER

Hitachi Ağır İş Aletleri en son teknolojik ilerlemelerle uygun olarak sürekli değiştirilmekte ve geliştirilmektedir. Dolayısıyla, bazı kısımlarda (örneğin kod numaraları ve/veya tasarım gibi) önceden bildirimde bulunulmadan değişiklik yapılabilir.

GARANTİ

Hitachi Elektrikli El Aletlerine ülkelere özgü hukuki düzenlemeler çerçevesinde garanti vermekteyiz. Bu garanti, yanlış veya kötü kullanım, normal aşınma ve yıpranmadan kaynaklanan arıza ve hasarları kapsamamaktadır. Şikayet durumunda, Elektrikli El Aleti, sökülmemiş bir şekilde, bu kullanım kılavuzunun sonunda bulunan GARANTİ BELGESİYLE birlikte bir Hitachi yetkili servis merkezine gönderilmelidir.

NOT

HITACHI'nin süregelen araştırma ve geliştirme programına bağlı olarak burada belirtilen teknik özelliklerde önceden bildirimde bulunulmadan değişiklik yapılabilir.

Havadan yayılan gürültü ve titreşimle ilgili bilgiler

Ölçülen değerlerin EN60745 ve ISO 4871'e uygun olduğu tespit edilmiştir.

Ölçülmüş A-ağırlıklı gürültü güç derecesi: 101 dB(A)

Ölçülmüş A-ağırlıklı gürültü güç derecesi: 90 dB(A)

Belirsiz KpA: 3 dB(A)

Kulak koruyucusu kullanın.

Tipik ağırlıklı ortalama karekök ivme değeri: 2,1 m/s²

ОБЩИЕ ПРАВИЛА БЕЗОПАСНОСТИ ПРИ РАБОТЕ С ЭЛЕКТРОИНСТРУМЕНТОМ

⚠ ПРЕДУПРЕЖДЕНИЕ

Прочтите все правила безопасности и инструкции.

Не выполнение правил и инструкций может привести к поражению электрическим током, пожару и/или серьезной травме.

Сохраняйте все правила и инструкции на будущее.

Термин "электроинструмент" в контексте всех мер предосторожности относится к эксплуатируемому Вами электроинструменту с питанием от сетевой розетки (с сетевым шнуром) или электроинструменту с питанием от аккумуляторной батареи (беспроводному).

1) Безопасность на рабочем месте

a) Поддерживайте чистоту и хорошее освещение на рабочем месте.

Беспорядок и плохое освещение приводят к несчастным случаям.

b) Не используйте электроинструменты во взрывоопасных окружающих условиях, например, в непосредственной близости огнеопасных жидкостей, горячих газов или легковоспламеняющейся пыли.

Электроинструменты порождают искры, которые могут воспалить пыль или испарения.

c) Держите детей и наблюдающих на безопасном расстоянии во время эксплуатации электроинструмента.

Отвлечение внимания может стать для Вас причиной потери управления.

2) Электробезопасность

a) Сетевые вилки электроинструментов должны соответствовать сетевой розетке.

Никогда не модифицируйте штепсельную вилку никоим образом.

Не используйте никакие адаптерные переходники с заземленными (замкнутыми на землю) электроинструментами.

Немодифицированные штепсельные вилки и соответствующие им сетевые розетки уменьшат опасность поражения электрическим током.

b) Не прикасайтесь телом к заземленным поверхностям, например, к трубопроводам, радиаторам, кухонным плитам и холодильникам.

Если Ваше тело соприкоснется с заземленными поверхностями, возрастет опасность поражения электрическим током.

c) Не подвергайте электроинструменты действию воды или влаги.

При попадании воды в электроинструмент возрастет опасность поражения электрическим током.

d) Правильно обращайтесь со шнуром. Никогда не переносите электроинструмент, взявшись за шнур, не тяните за шнур и не дергайте за шнур с целью отсоединения электроинструмента от сетевой розетки. Располагайте шнур подальше от источников тепла, нефтепродуктов, предметов с острыми кромками и движущихся деталей.

Поврежденные или запутанные шнуры увеличивают опасность поражения электрическим током.

e) При эксплуатации электроинструмента вне помещений, используйте удлинительный шнур, предназначенный для использования вне помещения.

Использование шнура, предназначенного для работы вне помещений, уменьшит опасность поражения электрическим током.

f) При эксплуатации электроинструмента во влажной среде, используйте устройство защитного отключения (RCD) источника питания.

Использование RCD уменьшит опасность поражения электрическим током.

3) Личная безопасность

a) Будьте готовы к неожиданным ситуациям, внимательно следите за своими действиями и руководствуйтесь здравым смыслом при эксплуатации электроинструмента.

Не используйте электроинструмент, когда Вы устали или находитесь под влиянием наркотиков, алкоголя или лекарственных препаратов.

Мгновенная потеря внимания вовремя эксплуатации электроинструментов может привести к серьезной травме.

b) Используйте индивидуальные средства защиты. Всегда надевайте средства защиты глаз.

Защитное снаряжение, например, противопылевой респиратор, защитная обувь с нескользкой подошвой, защитный шлем-каска или средства защиты органов слуха, используемые для соответствующих условий, уменьшат травмы.

c) Избегайте непреднамеренного включения двигателя. Убедитесь в том, что выключатель находится в положении выключения перед подниманием, переноской или подсоединением к сетевой розетке и/или портативному батарейному источнику питания.

Переноска электроинструментов, когда Вы палец держите на выключателе, или подсоединение электроинструментов к сетевой розетке, когда выключатель будет находиться в положении включения, приводит к несчастным случаям.

d) Снимите все регулировочные или гаечные ключи перед включением электроинструмента.

Гаечный или регулировочный ключ, оставленный прикрепленным к вращающейся детали электроинструмента, может привести к получению травмы.

e) Не теряйте устойчивость. Все время имейте точку опоры и сохраняйте равновесие.

Это поможет лучше управлять электроинструментом в непредвиденных ситуациях.

f) Одевайтесь надлежащим образом. Не надевайте просторную одежду или ювелирные изделия. Держите волосы, одежду и перчатки как можно дальше от движущихся частей.

Просторная одежда, ювелирные изделия или длинные волосы могут попасть в движущиеся части.

g) Если предусмотрены устройства для присоединения приспособлений для отвода и сбора пыли, убедитесь в том, что они присоединены и используются надлежащим образом.

Использование данных устройств может уменьшить опасности, связанные с пылью.

4) Эксплуатация и обслуживание электроинструментов

a) Не перегружайте электроинструмент. Используйте надлежащий для Вашего применения электроинструмент.

Надлежащий электроинструмент будет выполнять работу лучше и надежнее в том режиме работы, на который он рассчитан.

- b) Не используйте электроинструмент с неисправным выключателем, если с его помощью нельзя будет выключить и выключить инструмент.
Каждый электроинструмент, которым нельзя управлять с помощью выключателя, будет представлять опасность, и его будет необходимо отремонтировать.
- c) **Отсоедините штепсельную вилку от источника питания и/или портативный батарейный источник питания от электроинструмента перед началом выполнения какой-либо из регулировок, перед сменой принадлежностей или хранением электроинструментов.**
Такие профилактические меры безопасности уменьшат опасность непреднамеренного включения двигателя электроинструмента.
- d) **Храните неиспользуемые электроинструменты в недоступном для детей месте, и не разрешайте людям, не знающим как обращаться с электроинструментом или не изучившим данное руководство, работать с электроинструментом.**
Электроинструменты представляют опасность в руках неподготовленных пользователей.
- e) **Содержите электроинструменты в исправности. Проверьте, нет ли несоосности или заедания движущихся частей, повреждения деталей или какого-либо другого обстоятельства, которое может повлиять на функционирование электроинструмента.**
При наличии повреждения отремонтируйте электроинструмент перед его эксплуатацией. Большое количество несчастных случаев связано с плохим обслуживанием электроинструментов.
- f) **Содержите режущие инструменты остро заточенными и чистыми.**
Надлежащим образом содержащиеся в исправности режущие инструменты с острыми режущими кромками будут меньше заедать и будут легче в управлении.
- g) **Используйте электроинструмент, принадлежности, насадки и т.п. в соответствии с данным руководством, принимая во внимание условия и объем выполняемой работы.**
Использование электроинструмента для выполнения работ не по прямому назначению может привести к опасной ситуации.
- 5) **Обслуживание**
- a) **Обслуживание Вашего электроинструмента должно выполняться квалифицированным представителем ремонтной службы с использованием только идентичных запасных частей.**
Это обеспечит сохранность и безопасность электроинструмента.
- b) **Не попадите под обрабатываемое изделие.**
Предохранительное приспособление не сможет защитить Вас от полотна пилы снизу обрабатываемого изделия.
- c) **Отрегулируйте глубину резания в зависимости от толщины обрабатываемого изделия.**
Под обрабатываемым изделием должно быть видно не больше, чем зуб полотна пилы целиком.
- d) **Никогда не удерживайте обрабатываемую деталь в руках или на коленях. Надежно закрепляйте обрабатываемую деталь на устойчивой подставке.**
Очень важно закрепить обрабатываемое изделие надлежащим образом для уменьшения опасности получения травмы, защемления полотна или потери управления.
- e) **Держите электроинструмент за изолированные поверхности захватов при выполнении работ, когда режущий инструмент может коснуться скрытой электропроводки или своего собственного сетевого шнура.**
Соприкосновение с проводом "под напряжением" приведет к опасности того, что металлические детали электроинструмента тоже окажутся "под напряжением" и оператор получит поражение электрическим током.
- f) **При разрезании всегда используйте направляющую планку или вертикальную направляющую для края детали.**
Это улучшит точность резания и уменьшит вероятность защемления полотна.
- g) **Всегда используйте полотно надлежащего размера и формы (ромб или круг) в соответствии с отверстиями оправки.**
Полотна, которые не будут соответствовать деталям оснастки пилы, будут перемещаться со смещением относительно центра, приводя к потере управления.
- h) **Никогда не используйте поврежденные или неподходящие для полотна шайбы или болт.**
Шайбы и болт для полотна были разработаны специально для Вашей пилы для получения оптимальных эксплуатационных характеристик и безопасности при эксплуатации.

ДОПОЛНИТЕЛЬНОЕ ПРАВИЛА ПО ТЕХНИКЕ БЕЗОПАСНОСТИ ДЛЯ ВСЕХ ВИДОВ ПИЛ

Причины отдачи и действия оператора для предотвращения отдачи:

- отдача представляет собой внезапное ответное действие на защемление, ограничение хода или перекос полотна пилы, и станет причиной неуправляемого перемещения пилы вверх и выхода из обрабатываемой детали по направлению к оператору;
- при плотном защемлении или тугом ограничении хода при сужении пропила, полотно застрянет, а двигатель вследствие отдачи быстро направит аппарат в обратную сторону по направлению к оператору;
- если полотно искривится или перекосится внутри пропила, то может произойти заедание зубьев на

МЕРА ПРЕДОСТОРОЖНОСТИ

Держите подальше от детей и немощных людей. Если инструменты не используются, их следует хранить в недоступном для детей и немощных людей месте.

ПРАВИЛА ПО ТЕХНИКЕ БЕЗОПАСНОСТИ ДЛЯ ВСЕХ ВИДОВ ПИЛ

- a) **⚠ ОПАСНО: Держите руки как можно дальше от зоны резания и полотна пилы. Держите Вашу вторую руку на вспомогательной рукоятке или на корпусе двигателя.**
Если удерживать пилу обеими руками, руки будут защищены от пореза полотном пилы.

задней кромке полотна в верхней части деревянной поверхности, что станет причиной подъема полотна вверх из пропила и скачка обратно по направлению к оператору.

Отдача является результатом неправильной эксплуатации пилы и/или нарушения техники выполнения работ или технического состояния, и ее можно избежать, принимая надлежащие меры предосторожности, которые приведены ниже.

- a) Крепко удерживайте пилу обеими руками и расположите руки в таком положении, которое позволит противодействовать силам отдачи. Встаньте так, чтобы Ваше тело находилось с какой-либо из сторон относительно полотна пилы, но не на одной линии с полотном.**

Отдача может стать причиной скачка пилы в обратном направлении, но оператор должен не потерять способность управления вследствие действия сил отдачи, если он будет принимать надлежащие меры предосторожности.

- b) При искривлении полотна, или при прерывании процесса резания по какой-либо причине, отпустите пускатель и удерживайте пилу неподвижно в материале до тех пор, пока полотно полностью не остановится.**

Никогда не пытайтесь вынуть пилу из детали или потянуть пилу в обратном направлении в то время, когда полотно находится в движении, иначе может последовать отдача.

Выявите причину искривления и предпримите необходимые действия для устранения причины искривления.

- c) При повторном запуске двигателя, когда полотно пилы находится внутри пропила обрабатываемой детали, выровняйте полотно в пропиле и проверьте, не застряли ли зубья пилы в материале.**

Если полотно пилы искривится, отдача может подействовать на обрабатываемую деталь в любом направлении при повторном запуске двигателя пилы.

- d) Надежно поддерживайте большие тонкие доски для того, чтобы свести к минимуму риск заземления полотна и отдачи.**

Большие тонкие доски имеют тенденцию к провисанию под своим собственным весом. Поддерживающие опоры необходимо расположить под доской с обеих сторон, рядом с линией разреза и около края доски.

- e) Не используйте тупые или поврежденные полотна. Незаточенные или неправильно установленные полотна служат причиной узкого пропила, что приведет к чрезмерному трению, искривлению полотна и отдаче.**

- f) Рычаги блокировки глубины и наклона полотна должны быть точно выставлены и надежно зафиксированы перед началом резания.**

Если приспособления для установки положения полотна сдвинуты во время резания, это может стать причиной искривления и отдачи.

- g) Примите дополнительные меры предосторожности при выполнении "врезания" в уже существующие стены или другие недоступные для осмотра участки.**

Выступающее вперед полотно может начать резание предметов, которые станут причиной отдачи.

ПРАВИЛА ПО ТЕХНИКЕ БЕЗОПАСНОСТИ ДЛЯ ПИЛ С ЗАЩИТОЙ МАЯТНИКА ИЛИ С ЗАЩИТОЙ ЦЕПНОГО ПРИВОДА

- a) Перед началом эксплуатации каждый раз проверяйте правильность закрытия нижнего предохранительного приспособления. Не эксплуатируйте пилу, если нижнее предохранительное приспособление не будет свободно двигаться и немедленно закрываться. Никогда не закрепляйте нижнее предохранительное приспособление в открытом положении при помощи зажимов или хомутов.**

Если пила будет случайно уронена, нижнее предохранительное приспособление может погнуться. Поднимите нижнее предохранительное приспособление с помощью вытягивающейся рукоятки и убедитесь в том, что она будет свободно двигаться, и не будет касаться полотна или какой либо другой детали при резании под любым углом и с любой глубиной.

- b) Проверьте функционирование пружины нижнего предохранительного приспособления. Если предохранительное приспособление и пружина не будут функционировать надлежащим образом, их нужно отремонтировать перед эксплуатацией.**

Нижнее предохранительное приспособление может функционировать недостаточно быстро вследствие повреждения деталей, накопления липких отложений, или попадания обломков.

- c) Нижнее предохранительное приспособление должно вытягиваться вручную только для специальных видов пил, таких как "врезные" и "комбинированные". Поднимите нижнее предохранительное приспособление с помощью вытягивающейся рукоятки, и как только полотно войдет в материал, нижнее предохранительное приспособление необходимо отпустить.**

Для всех остальных видов пил, нижнее предохранительное приспособление должно функционировать автоматически.

- d) Не забудьте проверить, что нижнее предохранительное приспособление закрывает полотно, перед тем как положить пилу на верстак или на пол.**

Незащищенное, движущееся по инерции полотно станет причиной того, что пила при движении в обратном направлении будет резать все, что попадет на пути.

Помните, что для останова полотна после выключения необходимо некоторое время.

ДОПОЛНИТЕЛЬНЫЕ ПРАВИЛА ПО ТЕХНИКЕ БЕЗОПАСНОСТИ ДЛЯ ВСЕХ ВИДОВ ПИЛ С РАСКЛИНИВАЮЩИМ НОЖОМ

- a) Используйте расклинивающий нож, который соответствует используемому полотну.**

Для работы расклинивающего ножа необходимо, чтобы его толщина была больше, чем толщина полотна, но меньше, чем расстояние между рядами зубцов полотна.

- б) Отрегулируйте расклинивающий нож, как описано в данном руководстве по эксплуатации. Неточные установка в определенном положении и выравнивание могут привести к тому, что расклинивающий нож не сможет препятствовать отдаче.**
- в) Используйте расклинивающий нож во всех случаях, за исключением врезания.**
Расклинивающий нож должен быть заменен после врезания. Расклинивающий нож вызывает напряжения в материале во время врезания и может привести к отдаче.
- д) Для работы расклинивающего ножа его необходимо ввести в зацепление с обрабатываемым изделием.**
Расклинивающей нож не сможет препятствовать отдаче во время краткосрочного резания.
- е) Не используйте пилу, если расклинивающий нож изогнут.**
Даже легкое напряжение может замедлить скорость закрытия предохранительного приспособления.
8. Убедитесь в том, что приспособление для отвода, которое входит в систему защиты, будет функционировать правильно.
 9. Толщина полотен пилы должна быть меньше, чем толщина расклинивающего ножа и ширина распила, или пропила (с расстоянием между рядами зубцов полотна) должен быть шире, чем толщина расклинивающего ножа.
 10. Никогда не эксплуатируйте дисковую пилу, если режущий диск будет повернут вверх или в сторону.
 11. Убедитесь в том, что в материале не будет посторонних предметов, например, гвоздей.
 12. Расклинивающий нож нужно использовать во всех случаях, за исключением врезания посередине обрабатываемого изделия.
 13. Для моделей С6U2 и С6BU2, диаметры полотен должны быть в пределах диапазона от 165 мм до 162 мм.
 Для моделей С7U2 и С7BU2, диаметры полотен должны быть в пределах диапазона от 190 мм до 185 мм.
 14. При эксплуатации моделей С6BU2 и С7BU2 будьте осторожны с отдачей тормоза.
 Модели С6BU2 и С7BU2 оснащены электрическим тормозом, который включается при отпускании выключателя. Так как при включении тормоза возникает определенная отдача, убедитесь, что Вы надежно удерживаете корпус инструмента.
 15. Так как в моделях С6BU2 и С7BU2 применяется электрический тормоз, иногда при выключении выключателя возможно появление искр, вызванных торможением.
 Несмотря на это, помните, что данное явление не свидетельствует от неисправности механизма. Для моделей С6BU2 и С7BU2, если тормоз становится неэффективным, замените угольные щетки новыми.
 17. Отсоедините штепсельную вилку от сетевой розетки перед началом выполнения какой-либо из регулировок, перед началом обслуживания или текущего ремонта.

МЕРЫ ПРЕДОСТОРОЖНОСТИ ПРИ ЭКСПЛУАТАЦИИ ДИСКОВОЙ ПИЛЫ

1. Не используйте режущие диски, имеющие деформации или трещины.
2. Не используйте режущие диски, сделанные из быстрорежущей стали.
3. Не используйте режущие диски, свойства которых не соответствуют характеристикам, указанным в данном руководстве.
4. Не останавливайте режущие диски надавливанием на диск сбоку.
5. Всегда держите режущие диски острозаточенными.
6. Убедитесь в том, что нижнее предохранительное приспособление будет двигаться плавно и свободно.
7. Никогда не эксплуатируйте дисковую пилу, если нижнее предохранительное приспособление пилы будет зафиксировано в открытом положении.

ТЕХНИЧЕСКИЕ ХАРАКТЕРИСТИКИ

Модель	С6U2	С6BU2	С7U2	С7BU2
Напряжение (по регионам)*	(110 V, 230V) ~			
Глубина резания	90°	54 мм		66 мм
	45°	39 мм		48 мм
Потребляемая мощность*	1100 Вт			1200 Вт
Скорость вращения без нагрузки	5500 мин ⁻¹			
Вес (без шнура)	3,5 кг			4,0 кг

* Проверьте паспортную табличку на изделии, так как она меняется в зависимости от региона.

СТАНДАРТНЫЕ ПРИНАДЛЕЖНОСТИ

- (1) Режущий диск (установлен на инструменте) 1
(Диаметр 165 мм С6U2, С6BU2)
(Диаметр 190 мм С7U2, С7BU2)
 - (2) Гаечный ключ в виде шестигранного стержня 1
 - (3) Предохранительное приспособление 1
 - (4) Барашковый болт 1
 - (5) Рычаг (короткого типа) 1
 - (6) Пылеуловитель 1
- Набор стандартных принадлежностей может быть изменен без уведомления.

ДОПОЛНИТЕЛЬНЫЕ ПРИНАДЛЕЖНОСТИ (поставляются отдельно)

- (1) Шайба (А)
... для 16 мм (диаметр отверстия режущего диска)
... для 30 мм (диаметр отверстия режущего диска)
- (2) Адаптер направляющей (см. **Рис. 13**)

Набор дополнительных принадлежностей может быть изменен без уведомления.

ПРИМЕНЕНИЕ

Резание различных типов дерева.

ПОДГОТОВКА К ЭКСПЛУАТАЦИИ

1. Источник электропитания

Проследите за тем, чтобы используемый источник электропитания соответствовал требованиям к источнику электропитания, указанным на типовой табличке изделия.

2. Переключатель "Вкл./ Выкл."

Убедитесь в том, что переключатель находится в положении "Выкл.". Если вы вставляете штепсель в розетку, а переключатель находится в положении "Вкл.", инструмент немедленно заработает, что может стать причиной серьезной травмы.

3. Удлинитель

Когда рабочая площадка удалена от источника электропитания, пользуйтесь удлинителем. Удлинитель должен иметь требуемую площадь поперечного сечения и обеспечивать работу инструмента заданной мощности. Разматывайте удлинитель только на реально необходимую для данного конкретного применения длину.

4. Подготовьте деревянный верстак (**Рис. 1**)

Так как режущий диск будет выходить за пределы нижней поверхности пиломатериала, расположите данный пиломатериал на верстаке при отрезании. Если в качестве верстака будет использована прямоугольная рама, выберите ровную поверхность для обеспечения надлежащей устойчивости рамы. Неустойчивый верстак может привести к опасности при эксплуатации.

ОСТОРОЖНО

Во избежание возможного несчастного случая, всегда следует убедиться в том, что часть пиломатериала, которая останется после резания, будет надежно закреплена или удержана на месте.

РЕГУЛИРОВАНИЕ ПИЛЫ ПЕРЕД ЭКСПЛУАТАЦИЕЙ

1. Регулирование глубины резания

Как показано на **Рис. 2**, удерживайте рукоятку одной рукой, одновременно ослабляя ручку другой рукой.

Глубину резания можно отрегулировать путем перемещения основания в желаемое положение. Отрегулируйте подобным образом глубину резания и затем надежно затяните ручку.

2. Регулирование расклинивающего ножа

Ослабьте болт с шестигранным углублением, используемый для зажима расклинивающего ножа, отрегулируйте расклинивающий нож таким образом, чтобы расстояние между расклинивающим ножом и кромкой полотна было не более 3 мм, и чтобы кромка полотна не выходила более чем на 3 мм за пределы нижнего края расклинивающего ножа (**Рис.3**) и надежно затяните ручку.

3. Регулирование угла наклона

Как показано на **Рис. 4 (А)**, **Рис. 4 (В)** путем ослабления барашковой гайки на шкале наклона и барашкового болта на основании, полотно пилы можно наклонить на максимальный угол в 45° относительно основания. Закончив регулирование, убедитесь еще раз, что барашковая гайка и барашковый болт прочно затянуты.

4. Установка направляющей (**Рис. 5**)

Положение резания можно регулировать путем перемещения направляющей влево или вправо после ослабления барашкового болта направляющей. Направляющую можно установить с левой или с правой стороны инструмента.

5. Регулирование направляющей детали

На циркулярной пиле можно выполнять точное регулирование фиксирующего положения направляющей детали, когда должны быть поравнены полотно пилы и заранее маркированная линия. При отправке с предприятия-изготовителя линейная часть передней шкалы на направляющей детали поравнена с центральным положением полотна пилы (**Рис. 6**).

В случае неправильного фиксирующего положения ослабьте закрепленный винт М4 на направляющей детали и проведите необходимое регулирование положения.

6. Использование пылеуловителя

Чтобы использовать пылесос для сбора пыли от пилы, присоедините всасывающий шланг к пылеуловителю, прикрепленному к главному устройству винтами М4 и М5. Во время присоединения пылесборника всегда проверяйте, что одновременно установлен рычаг короткого типа (**Рис. 12**).

ОСТОРОЖНО

Продолжение использования рычага, который был присоединен к главному устройству перед отправкой с предприятия-изготовителя, приведет к изгибанию пылеуловителя, и будет мешать работе нижнего предохранительного приспособления.

ПРОЦЕДУРА РЕЗАНИЯ

1. Поместите основание пилы на материал, затем совместите предварительно нанесенную линию резания и режущий диск с секцией передней шкалы направляющей заготовки спереди основания пилы (**Рис. 6**).
Если основание не наклонено, используйте большой вырез в качестве направляющей (**Рис. 6, Рис. 7 (А)**).
Если основание наклонено (45 градусов), используйте малую переднюю шкалу в качестве направляющей (**Рис. 6, Рис. 7 (В)**).
2. Убедитесь, что выключатель повернут в положение ON (ВКЛ) перед тем как режущий диск войдет в соприкосновение с пиломатериалом. Выключатель повернут в положение включения ON (ВКЛ), когда пускатель будет нажат; и повернут в положение выключения OFF (ВыКЛ), когда пускатель будет отпущен.
3. Оптимальное резание получается при перемещении пилы с постоянной скоростью.

ОСТОРОЖНО

Прежде чем начать операцию резания, проверьте материал, который Вы будете резать. Если при резании предполагаемого материала возможно образование вредной / токсической пыли, убедитесь в том, что к отверстию для отвода пыли плотно подсоединен пылевой мешок или специальная пылеулавливающая система. В дополнение ко всему, наденьте противопылевой респиратор.

Для оснований моделей типа С6ВU2 и типа С7ВU2 применяется покрытие из PTFE (политетрафторэтилена). Будьте осторожны, не нажимайте слишком сильно на корпус устройства, так как это приводит к появлению большой нагрузки на мотор. Использование легкого нажима делает скольжение детали более легким и позволяет производить резание с меньшим усилием. Попытка резать дерево, которое покрыто твердым гранулированным материалом, таким как песок или металлическая крошка, легко приводит к появлению повреждений покрытия поверхности в виде царапин, так что будьте осторожны.

- Перед началом распиливания убедитесь в том, что режущий диск уже достиг рабочей скорости.
- В случае остановки режущего диска или появления непредусмотренного шума при эксплуатации, немедленно поверните выключатель в положение OFF (ВыКЛ).
- Всегда следите за тем, чтобы шнур питания не оказался в опасной близости от вращающегося режущего диска.
- Очень опасно эксплуатировать дисковую пилу, если режущий диск будет направлен вверх или в сторону. Не следует применять пилу таким необычным образом.
- Всегда надевайте защитные очки перед резанием материалов.
- После окончания работы выньте штепсельную вилку из сетевой розетки.

УСТАНОВКА И СНЯТИЕ РЕЖУЩЕГО ДИСКА

ОСТОРОЖНО

Во избежание серьезного несчастного случая, убедитесь в том, что выключатель будет установлен в положение OFF (ВыКЛ), а источник питания будет отсоединен.

1. Снятие режущего диска

- (1) Установите уровень резания в положение максимума, и расположите дисковую пилу как показано на **Рис. 8**.
- (2) Нажмите рычаг блокировки, заблокируйте шпindel и вывинтите болт с шестигранным углублением при помощи гаечного ключа в виде шестигранного стержня.
- (3) Снимите режущий диск в то время, пока будете удерживать рычаг нижнего предохранительного приспособления в том положении, которое необходимо, чтобы удержать нижнее предохранительное приспособление полностью отведенным в крышку пилы.

2. Установка режущего диска

- (1) Тщательно удалите все опилки, которые накопились на шпинделе, на болте и на шайбах.
- (2) Как показано на **Рис. 9**, сторона шайбы (А) с расчетным центром такого же диаметра, как и внутренний диаметр режущего диска, и вогнутая сторона шайбы (В), должны быть плотно посажены по обоим сторонам режущего диска.

* Шайба (А) поставляется для 2 типов режущих дисков с диаметрами отверстий, равными 16 мм и 30 мм. (При покупке дисковой пилы поставляется один тип шайбы (А).)

В случае если диаметр отверстия Вашего режущего диска не будет соответствовать отверстию шайбы (А), пожалуйста, обратитесь в магазин, где Вы приобрели эту дисковую пилу.

- (3) Для обеспечения правильного направления вращения режущего диска, направление, указанное стрелкой на режущем диске, должно совпадать с направлением, указанным стрелкой на крышке пилы.
- (4) При помощи пальцев как можно сильнее затяните болт с шестигранным углублением, удерживающий полотно пилы. Затем нажмите рычаг блокировки, заблокируйте шпindel и затяните болт до конца.

ОСТОРОЖНО

После прикрепления режущего диска, еще раз убедитесь в том, что рычаг блокировки будет прочно закреплен в заданном положении.

ТЕХНИЧЕСКОЕ ОБСЛУЖИВАНИЕ И ОСМОТР

1. Осмотр режущего диска

Так как использование незаточенного режущего диска будет уменьшать эффективность и может привести к неисправности двигателя, заточите или замените режущий диск сразу же, как только заметите следы абразивного износа.

2. Проверка установленных винтов

Регулярно проверяйте все установленные на инструменте винты, следите за тем, чтобы они были как следует затянуты. Немедленно затяните винт, который окажется ослабленным. Невыполнение этого правила грозит серьезной опасностью.

3. Обследование угольных щеток (Рис. 10)

В двигателе используются угольные щетки, которые постепенно изнашиваются. Так как чрезмерно изношенная угольная щетка может повредить двигатель, заменяйте изношенные угольные щетки новыми, имеющими тот же номер, как и показанный на рисунке, или близкими к "пределу износа". Кроме того, всегда содержите угольные щетки в чистоте и обязательно следите за тем, чтобы они могли свободно скользить в щеткодержателях.

ОСТОРОЖНО

- При установке новых угольных щеток всегда используйте фирменные угольные щетки фирмы Hitachi с номером, указанным на чертеже.
- Для моделей С6ВU2 и С7ВU2, тормоз может не работать при использовании других щеток, чем указанные. Если тормоз стал неэффективен, замените угольные щетки новыми.

4. Замена угольных щеток

Снимите колпаки щеток при помощи отвертки с плоской головкой. После этого угольные щетки могут быть легко сняты.

5. Техническое обслуживание двигателя

Обмотка двигателя - "сердце" электроинструмента. Проявляйте должное внимание, следя за тем, чтобы обмотка не была повреждена и/или залита маслом или водой.

6. Регулирование основания и полотна пилы для поддержки перпендикулярности

Угол между основанием и полотном пилы отрегулирован в 90°, однако если эта перпендикулярность должна быть изменена по какой-то причине, проведите регулировку следующим образом:

- (1) Поверните основание лицевой стороной вверх (Рис. 11) и ослабьте барашковую гайку и барашковый болт (Рис. 4 (А), Рис. 4 (В)).
- (2) Присоедините угольник к основанию и полотну пилы, и повернув Установочный винт с продольными шлицами при помощи плоской отвертки, измените положение основания, чтобы установить желаемый правильный угол.

7. Порядок записей по техобслуживанию

- A: пункт №
- B: код №
- C: количество применений
- D: замечания

ПРЕДОСТЕРЕЖЕНИЕ

Ремонт, модификация и проверка электроинструментов HITACHI должна проводиться только в авторизованных сервисных центрах HITACHI. Данный список принесите в мастерскую вместе с инструментом для проведения ремонта или технического обслуживания.

При использовании или техобслуживании инструмента всегда следите за выполнением всех правил и норм безопасности.

ЗАМЕЧАНИЕ

Фирма HITACHI непрерывно работает над совершенствованием своих изделий, поэтому мы сохраняем за собой право на внесение изменений в технические характеристики, упомянутые в данной инструкции по эксплуатации, без предупреждения об этом.

ГАРАНТИЯ

Мы гарантируем соответствие автоматических инструментов Hitachi нормативным/национальным положениям. Данная гарантия не распространяется на дефекты или ущерб, возникший вследствие неправильного использования или ненадлежащего обращения, а также нормального износа. В случае подачи жалобы отправляйте автоматический инструмент в неразобранном состоянии вместе с ГАРАНТИЙНЫМ СЕРТИФИКАТОМ, который находится в конце инструкции по обращению, в авторизованный центр обслуживания Hitachi.

ПРИМЕЧАНИЕ

На основании постоянных программ исследования и развития, HITACHI оставляют за собой право на изменение указанных здесь технических данных без предварительного уведомления.

Информация, касающаяся создаваемого шума и вибрации

Измеряемые величины были определены в соответствии с EN60745 и заявлены в соответствии с ISO 4871.

Измеренный средневзвешенный уровень звуковой мощности: 101 дБ (А)

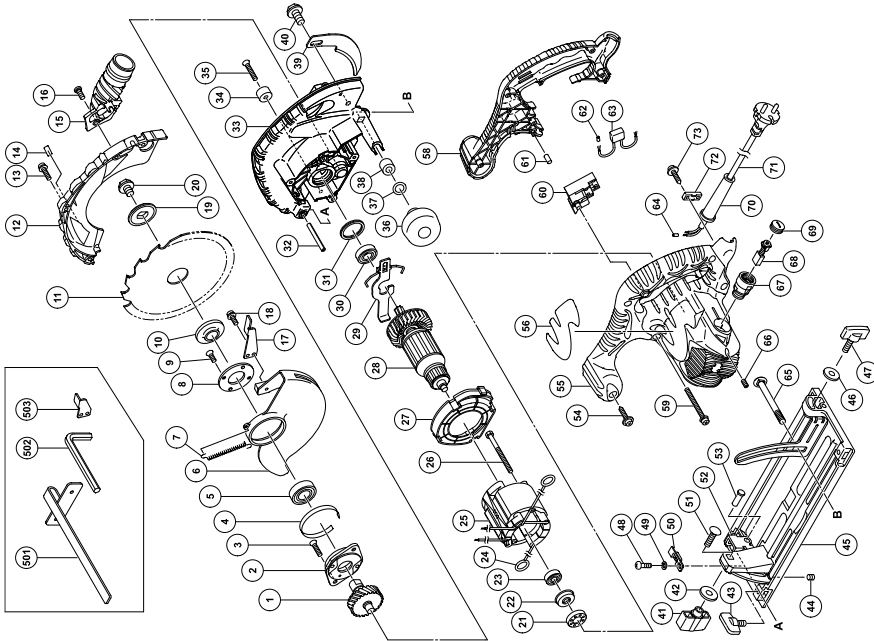
Измеренный средневзвешенный уровень звукового давления: 90 дБ (А)

Погрешность Кра: 3 дБ (А)

Надевайте наушники.

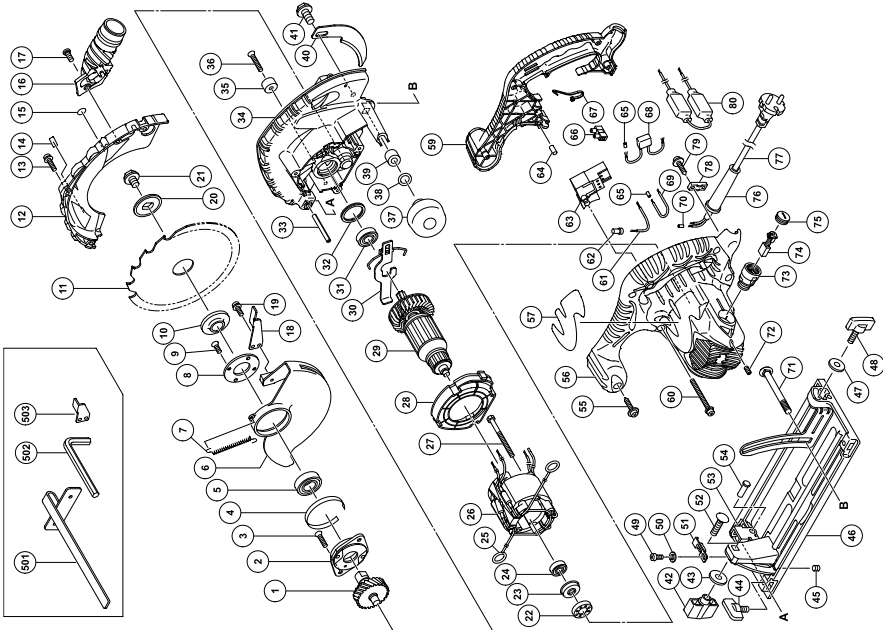
Типичное значение вибрации: 2,1 м/с²

C6U2



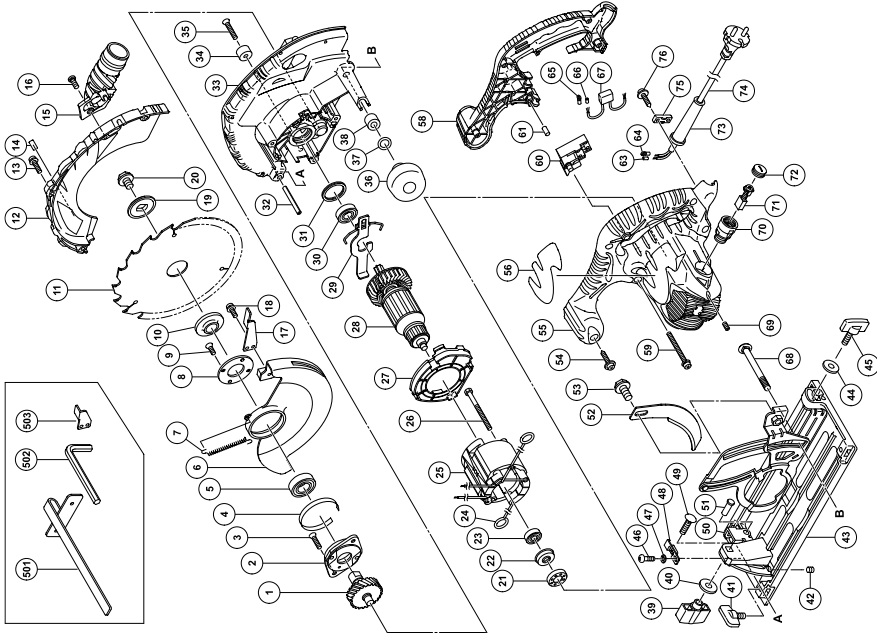
A	B	C	D	A	B	C	D
1	302-449	1	1	48	949-214	1	M4 × 6
2	302-433	2	1	49	949-453	1	M4
3	992-013	2	M5 × 14	50	324-659	1	M8 × 30
4	961-807	1	6003VVCMP52L	51	302-457	1	D6 × 17
5	600-3VV	1	1	52	308-479	1	D4 × 20
6	324-677	1	1	53	308-480	5	"66, 67"
7	302-463	1	1	54	301-653	1	1
8	302-435	2	M4 × 10	55	324-665	1	1
9	990-430	1	1	56	324-667	1	1
10	302-476	1	1	58	302-434	3	M5 × 45
11	324-678	1	1	59	302-434	1	1
12	324-674	1	1	60	963-756Z	1	1
13	305-691	4	M4 × 14	61	946-362	1	1
14	324-669	1	1	62	981-373	2	1
15	324-139	1	1	63	930-039	2	1
16	302-464	1	1	64	981-373	2	1
17	302-464	1	1	65	316-444	1	M8 × 105
18	304-043	1	M4 × 10	66	938-477	2	M5 × 8
19	302-423	1	1	67	958-900	2	1
20	324-662	1	M8 × 15.5	68	999-043	2	1
21	325-060	1	1	69	945-161	2	1
22	322-089	1	1	70-1	953-327	1	D8.8
23	608-VVM	1	608VVC2PS2L	70-2	938-051	1	D10.1
24	930-703	2	1	71	937-631	1	1
25	340-641E	1	230V "24"	72	937-631	2	1
26	953-121	2	D5 × 50	73	984-750	1	D4 × 16
27	324-675	1	1	501	302-756	1	1
28	360-729E	1	230V	502	872-422	1	6MM
29	324-655	1	1	503	303-338	1	1
30	600-1VV	1	6001VVCMP52L				
31	958-130	1	1				
32	949-686	1	D6 × 40				
33	324-673	1	"31, 34, 35"				
34	961-729	1	1				
35	949-794	1	M6 × 20				
36	324-660	1	1				
37	676-531	1	P-7				
38	303801	1	1				
39	303-838	1	1				
40	324-664	1	M8 × 10				
41	324-658	1	M8				
42	949-433	1	M8				
43	301-806	1	M6 × 15				
44	302-469	1	M6 × 6				
45	324-676	1	"41, 42, 46-53"				
46	949-425	1	M6				
47	302-459	1	M6 × 17				

C6BU2



A	B	C	D	A	B	C	D
1	302-449	1	1	48	302-459	1	M6 × 17
2	302-433	1	1	49	949-214	1	M4 × 6
3	992-013	2	M5 × 14	50	949-453	1	M4
4	961-807	1	6003VVCMP2L	51	324-659	1	M8 × 30
5	600-3VV	1	1	52	302-457	1	M8 × 30
6	324-677	1	1	53	308-479	1	D6 × 17
7	302-463	1	1	54	308-480	2	D4 × 20
8	302-435	1	1	55	301-653	5	"72, 73"
9	990-430	2	M4 × 10	56	324-682	1	1
10	302-476	1	1	57	324-683	1	1
11	324-678	1	1	59	302-434	3	M5 × 45
12	324-674	1	1	60	324-680	1	70L
13	305-691	4	M4 × 14	61	324-680	1	1
14	_____	1	1	62	959-141	1	1
15	_____	1	1	63	316-445	1	1
16	324-669	1	1	64	946-362	1	1
17	324-139	1	1	65	981-373	2	1
18	302-464	1	1	66	938-307	1	1
19	304-043	1	M4 × 10	67	313-505	1	1
20	302-423	1	1	68	930-039	1	100L
21	324-662	1	M8 × 15.5	69	324-681	1	1
22	325-060	1	1	70	981-373	1	1
23	322-089	1	1	71	316-444	1	M8 × 105
24	608-VVMI	1	608VVC2PS2L	72	938-477	2	M5 × 8
25	930-703	2	1	73	960-685	2	2
26	340-424G	1	230V "25"	74	999-056	2	2
27	953-121	2	D5 × 50	75	945-161	2	2
28	324-675	1	1	76-1	953-327	1	D8.8
29	360-728E	1	230V	76-2	938-051	1	D10.1
30	324-655	1	1	77	_____	1	1
31	600-1VV	1	6001VVCMP2L	78	937-631	1	1
32	958-130	1	1	79	984-750	2	D4 × 16
33	949-686	1	D6 × 40	80	316-446	1	1
34	324-673	1	"32, 35, 36"	501	302-756	1	6MM
35	961-729	1	1	502	872-422	1	1
36	949-794	1	M6 × 20	503	303-338	1	1
37	324-660	1	1				
38	676-531	1	P-7				
39	303-801	1	1				
40	303-838	1	1				
41	324-664	1	M8 × 10				
42	324-658	1	M8				
43	949-433	1	M8				
44	301-806	1	M6 × 15				
45	302-469	1	M6 × 6				
46	324-679	1	"42, 43, 47-54"				
47	949-425	1	M6				

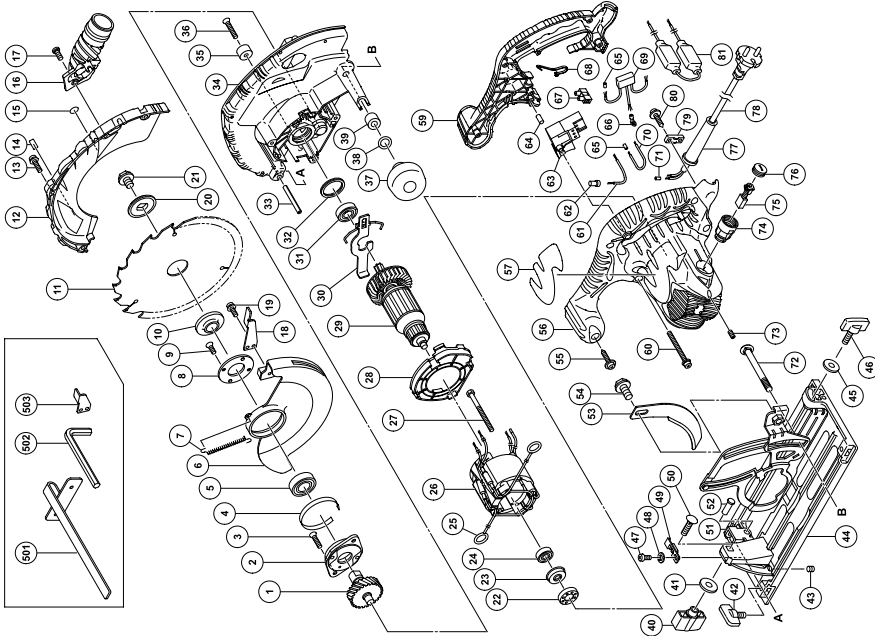
C7U2



A	B	C	D
46	949-214	1	M4 × 6
47	949-453	1	M4
48	324-659	1	M8 × 30
49	302-457	1	
50	308-479	1	D6 × 17
51	308-480	2	
52	324-663	1	M8 × 10
53	324-664	1	D4 × 20
54	301-653	5	"69, 70"
55-1	324-665	1	"69, 70" "SAF"
55-2	324-666	1	
56	324-667	1	
58	324-667	1	
59	302-434	3	M5 × 45
60-1	963-756Z	1	"SAF"
60-2	302-470	1	
61	946-362	1	
63	981-373	2	
64	980-063	2	M4.0
65	930-804	2	
66	981-373	2	
67	930-039	1	M8 × 105
68	316-444	1	M5 × 8
69	938-477	2	
70	958-900	2	
71	999-043	2	
72	945-161	2	
73	953-327	1	D8.8
74	937-631	1	(CORD ARMOR D8.8)
75	937-631	1	
76	984-750	2	D4 × 16
501	302-756	1	6MM
502	872-422	1	
503	303-338	1	

A	B	C	D
1	302-988	1	
2	302-433	1	
3	992-013	2	M5 × 14
4	961-807	1	
5	600-3VV	1	6003VVCMP2L
6	324-661	1	
7	303-512	1	
8	302-435	1	
9	990-430	2	M4 × 10
10	302-476	1	
11	324-668	1	
12	324-664	1	
13	305-691	4	M4 × 14
14	324-669	1	
15	324-139	1	
16	302-464	1	
17	304-043	1	M4 × 10
18	302-423	1	
19	302-423	1	
20	324-662	1	M8 × 15.5
21	325-060	1	
22	322-089	1	
23	608-VVM	1	608VVC2PS2L
24	930-703	2	
25-1	340-640C	1	110V "24"
25-2	340-640E	1	230V "24"
26	953-174	2	D5 × 55
27	324-656	1	
28-1	360-727C	1	110V
28-2	360-727E	1	230V
29	324-655	1	
30	600-1VV	1	6001VVCMP2L
31	958-130	1	
32	949-686	1	D6 × 40
33	324-653	1	"31, 34, 35"
34	961-729	1	
35	949-794	1	M6 × 20
36	324-660	1	
37	676-531	1	P-7
38	303-801	1	
39	324-658	1	M8
40	949-433	1	M8
41	301-806	1	M6 × 15
42	302-469	1	M6 × 6
43	324-657	1	"39, 40, 44-51"
44	949-425	1	M6
45	302-459	1	M6 × 17

C7BU2



A	B	C	D	A	B	C	D
1	302-988	1	1	46	302-459	1	M6 × 17
2	302-433	1	1	47	949-214	1	M4 × 6
3	992-013	2	M5 × 14	48	949-453	1	M4
4	961-807	1	6003VVCMP52L	49	324-659	1	M8 × 30
5	600-3VV	1	1	50	302-457	1	M8 × 30
6	324-661	1	1	51	308-479	1	D6 × 17
7	303-512	1	1	52	308-480	2	D6 × 17
8	302-435	1	1	53	324-663	1	M8 × 10
9	990-430	2	M4 × 10	54	324-664	5	D4 × 20
10	302-476	1	1	55	301-653	5	D4 × 20
11	324-668	1	1	56	324-682	1	"73, 74"
12	324-654	1	1	57	324-682	1	"73, 74"
13	305-691	4	M4 × 14	59	324-683	1	"GBR (110V)"
14	305-691	4	M4 × 14	60	302-434	3	"GBR (110V)"
15	305-691	4	M4 × 14	61	324-680	1	M5 × 45
16	324-669	1	1	62	959-141	1	70L
17	324-139	1	1	63	316-445	1	70L
18	302-464	1	1	64	946-362	1	70L
19	304-043	1	M4 × 10	65-1	981-373	2	70L
20	302-423	1	M8 × 15.5	65-2	981-373	1	"GBR (110V)"
21	324-662	1	1	66	961-419Z	1	"GBR (110V)"
22	325-060	1	1	67	938-307	1	"GBR (110V)"
23	322-089	1	1	68	313-505	1	"GBR (110V)"
24	608-VVMI	1	608VVC2PS2L	69-1	930-039	1	"GBR (110V)"
25	930-703	2	110V "25"	69-2	994-273	1	"GBR (110V)"
26-1	340-445G	1	110V "25"	70	324-681	1	100L
26-2	340-425G	1	230V "25"	71	981-373	1	100L
27	953-174	2	D5 × 55	72	316-444	1	M8 × 105
28	324-656	1	1	73	938-477	2	M5 × 8
29-1	360-726C	1	110V	74	960-685	2	M5 × 8
29-2	360-726E	1	230V	75	999-056	2	M5 × 8
30	324-655	1	1	76	945-161	2	M5 × 8
31	600-1VV	1	6001VVCMP52L	77-1	953-327	1	D8.8
32	958-130	1	1	77-2	938-051	1	D10.1
33	949-686	1	1	78	937-631	1	D10.1
34	324-653	1	D6 × 40	79	937-631	1	D10.1
35	961-729	1	"32, 35, 36"	80	984-750	2	D4 × 16
36	949-794	1	M6 × 20	81	316-446	1	D4 × 16
37	324-660	1	1	501	302-756	1	6MM
38	676-531	1	P-7	502	872-422	1	6MM
39	303-801	1	M8	503	303-338	1	6MM
40	324-658	1	M8				
41	949-433	1	M8 × 15				
42	301-806	1	M6 × 6				
43	302-469	1	"40, 41, 45-52"				
44	324-672	1	M6				
45	949-425	1	M6				

<p>English</p> <p><u>GUARANTEE CERTIFICATE</u></p> <ol style="list-style-type: none"> ① Model No. ② Serial No. ③ Date of Purchase ④ Customer Name and Address ⑤ Dealer Name and Address (Please stamp dealer name and address) 	<p>Magyar</p> <p><u>GARANCIA BIZONYLAT</u></p> <ol style="list-style-type: none"> ① Típuszám ② Sorozatszám ③ A vásárlás dátuma ④ A Vásárló neve és címe ⑤ A Kereskedő neve és címe (Kérjük ide elhelyezni a Kereskedő nevének és címének pecsétjét)
<p>Deutsch</p> <p><u>GARANTIESCHEIN</u></p> <ol style="list-style-type: none"> ① Modell-Nr. ② Serien-Nr. ③ Kaufdatum ④ Name und Anschrift des Kunden ⑤ Name und Anschrift des Händlers (Bitte mit Namen und Anschrift des Handlers abstempeln) 	<p>Čeština</p> <p><u>ZÁRUČNÍ LIST</u></p> <ol style="list-style-type: none"> ① Model č. ② Série č. ③ Datum nákupu ④ Jméno a adresa zákazníka ⑤ Jméno a adresa prodejce (Prosíme o razítko se jménem a adresou prodejce)
<p>Ελληνικά</p> <p><u>ΠΙΣΤΟΠΟΙΗΤΙΚΟ ΕΓΓΥΗΣΗΣ</u></p> <ol style="list-style-type: none"> ① Αρ. Μοντέλου ② Αύξων Αρ. ③ Ημερομηνία αγοράς ④ Όνομα και διεύθυνση πελάτη ⑤ Όνομα και διεύθυνση μεταπωλητή (Παρακαλούμε να χρησιμοποιηθεί σφραγίδα) 	<p>Türkçe</p> <p><u>GARANTİ SERTİFİKASI</u></p> <ol style="list-style-type: none"> ① Model No. ② Seri No. ③ Satın Alma Tarihi ④ Müşteri Adı ve Adresi ⑤ Bayi Adı ve Adresi (Lütfen bayi adını ve adresini kaşe olarak basın)
<p>Polski</p> <p><u>GWARANCJA</u></p> <ol style="list-style-type: none"> ① Model ② Numer seryjny ③ Data zakupu ④ Nazwa klienta i adres ⑤ Nazwa dealera i adres (Pieczęć punktu sprzedaży) 	<p>Русский</p> <p><u>ГАРАНТИЙНЫЙ СЕРТИФИКАТ</u></p> <ol style="list-style-type: none"> ① Модель № ② Серийный № ③ Дата покупки ④ Название и адрес заказчика ⑤ Название и адрес дилера (Пожалуйста, внесите название и адрес дилера)



HITACHI

①	
②	
③	
④	
⑤	



Hitachi Power Tools Österreich GmbH

Str. 7, Objekt 58/A6, Industriezentrum NÖ –Süd 2355
Wiener Neudorf, Austria
Tel: +43 2236 64673/5
Fax: +43 2236 63373

Hitachi Power Tools Hungary Kft.

1106 Bogancsvirag U.5-7, Budapest, Hungary
Tel: +36 1 2643433
Fax: +36 1 2643429
URL: <http://www.hitachi-powertools.hu>

Hitachi Power Tools Polska Sp.z o.o.

ul. Kleszczowa27
02-485 Warszawa, Poland
Tel: +48 22 863 33 78
Fax: +48 22 863 33 82
URL: <http://www.hitachi-elektronarzedzia.pl>

Hitachi Power Tools Czech s.r.o.

Videnska 102,619 00 Brno, Czech
Tel: +420 547 426 598
Fax: +420 547 426 599
URL: <http://www.hitachi-powertools.cz>

Hitachi Power Tools Netherlands B.V. Moscow Branch

Kashirskoye Shosse Dom 65, 4F
115583 Moscow, Russia
Tel: +7 495 727 4460 or 4462
Fax: +7 495 727 4461
URL: <http://www.hitachi-pt.ru>

Hitachi Power Tools Romania

Str Sf. Gheorghe nr 20-Ferma, Pantelimon, Jud. Ilfov
Tel: +031 805 25 77
Fax: +031 805 27 19

<p>English</p> <p>CE DECLARATION OF CONFORMITY</p> <p>We declare under our sole responsibility that this product is in conformity with standards or standardized documents EN60745, EN55014 and EN61000 in accordance with Council Directives 2004/108/EC and 98/37/EC.</p> <p>This declaration is applicable to the product affixed CE marking.</p>	<p>Magyar</p> <p>EU MEGFELELŐSÉGI NYILATKOZAT</p> <p>Teljes felelősségünk tudatában kijelentjük, hogy ez a termék megfelel az EN60745, EN55014, és EN 61000 szabványoknak illetve szabványosított dokumentumoknak, az Európa Tanács 2004/108/EC, és 98/37/EC Tanácsi Direktíváival összhangban.</p> <p>Jelen nyilatkozat a terméken feltüntetett CE jelzésre vonatkozik.</p>
<p>Deutsch</p> <p>ERKLÄRUNG ZUR KONFORMITÄT MIT CE-REGELN</p> <p>Wir erklären mit alleiniger Verantwortung, daß dieses Produkt den Standards oder standardisierten Dokumenten EN60745, EN55014 und EN61000 in Übereinstimmung mit den Direktiven des Europarats 2004/108/CE und 98/37/CE entspricht.</p> <p>Diese Erklärung gilt für Produkte, die die CE-Markierung tragen.</p>	<p>Čeština</p> <p>PROHLÁŠENÍ O SHODĚ S CE</p> <p>Prohlašujeme na svoji zodpovědnost, že tento výrobek odpovídá normám EN60745, EN55014 a EN61000 v souladu se směrnicemi 2004/108/EC a 98/37/EC.</p> <p>Toto prohlášení platí pro výrobek označený značkou CE.</p>
<p>Ελληνικά</p> <p>ΕΚ ΔΗΛΩΣΗ ΕΝΑΡΜΟΝΙΣΜΟΥ</p> <p>Δηλώνουμε με απόλυτη υπευθυνότητα ότι αυτό το προϊόν είναι εναρμονισμένο με τα πρότυπα ή τα έγγραφα προτύπων EN60745, EN55014 και EN61000 σε συμφωνία με τις Οδηγίες του Συμβουλίου 2004/108/ΕΚ και 98/37/ΕΚ.</p> <p>Αυτή η δήλωση ισχύει στο προϊόν με το σημάδι CE.</p>	<p>Türkçe</p> <p>AB UYGUNLUK BEYANI</p> <p>Bu ürünün, 2004/108/EC ve 98/37/EC sayılı Konsey Direktiflerine uygun olarak, EN60745, EN55014 ve EN61000 sayılı standartlara ve standartlaştırılmış belgelere uygun olduğunu, tamamen kendi sorumluluğumuz altında beyan ederiz.</p> <p>Bu beyan, üzerinde CE işareti bulunan ürünler için geçerlidir.</p>
<p>Polski</p> <p>DEKLARACJA ZGODNOŚCI Z EC</p> <p>Oznajmiamy z całkowitą odpowiedzialnością, że produkt ten pozostaje w zgodzie ze standardami lub standardową formą dokumentów EN60745, EN55014 i EN61000 w zgodzie z Zasadami Rady 2004/108/ EC i 98/37/EC.</p> <p>To oświadczenie odnosi się do załączonego produktu z oznaczeniami CE.</p>	<p>Русский</p> <p>ДЕКЛАРАЦИЯ СООТВЕТСТВИЯ ЕС</p> <p>Мы с полной ответственностью заявляем, что данное изделие соответствует стандартам или стандартизованным документам EN60745, EN55014 и EN61000 согласно Директивам Совета 2004/108/EC и 98/37/EC.</p> <p>Данная декларация относится к изделиям, на которых имеется маркировка CE.</p>
<p>Representative office in Europe Hitachi Power Tools Europe GmbH Siemensring 34, 47877 Willich 1, F. R. Germany</p> <p>Head office in Japan Hitachi Koki Co., Ltd. Shinagawa Intercity Tower A, 15-1, Konan 2-chome, Minato-ku, Tokyo, Japan</p> <p style="text-align: center;">CE</p> <p style="text-align: right;">31. 12. 2008</p> <p style="text-align: right;"><i>M. Kato</i></p> <p style="text-align: right;">K. Kato Board Director</p>	

 **Hitachi Koki Co., Ltd.**

812
Code No. C99142392 M
Printed in Malaysia

McGrp.Ru



Сайт техники и электроники

Наш сайт McGrp.Ru при этом не является просто хранилищем [инструкций по эксплуатации](#), это живое сообщество людей. Они общаются на форуме, задают вопросы о способах и особенностях использования техники. На все вопросы очень быстро находят ответы от таких же посетителей сайта, экспертов или администраторов. Вопрос можно задать как на форуме, так и в специальной форме на странице, где описывается интересующая вас техника.