

# BT1855, BT1855-E

OIL-FREE BRAD NAILER  
CLAVADORA DE CLAVITOS SIN ACIETE  
CLOUEUSE À SEMENCES SANS HUILE

ACCESSORIES AVAILABLE  
ACCESORIOS DISPONIBLES  
ACCESSOIRES DISPONIBLES

BT55/SX38-RK  
BT55/SX38-TIPS

BT1855/SX1838 REBUILD KIT  
BT1855/SX1838 NO-MAR TIP PACK

# BOSTITCH®

## BT1855, BT1855-E

OIL-FREE BRAD NAILER  
CLAVADORA DE CLAVITOS SIN ACIETE  
CLOUEUSE À SEMENCES SANS HUILE



### TOOL PARTS ILLUSTRATION ILUSTRACIÓN DE LAS PIEZAS DE LA HERRAMIENTA ILLUSTRATION DES PIÈCES D'OUTILLAGE

**⚠ WARNING:**

**⚠ ADVERTENCIA:**

**⚠ ATTENTION:**

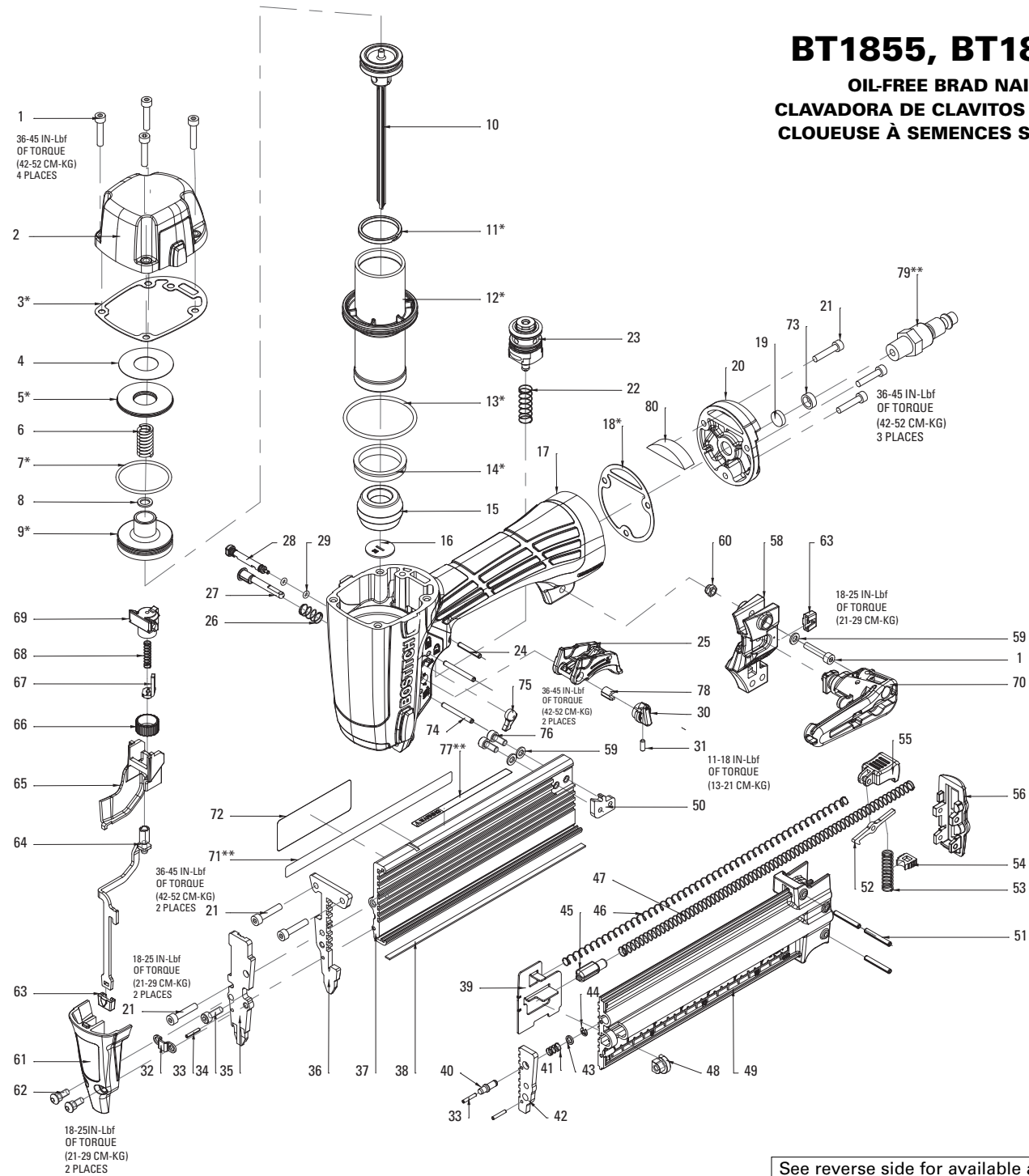
BEFORE PERFORMING REPAIRS ON THIS TOOL, ALL OPERATORS SHOULD STUDY THIS ILLUSTRATION, AS WELL AS THE PARTS LIST AND OPERATION AND MAINTENANCE MANUAL. OPERATORS SHOULD UNDERSTAND AND FOLLOW ALL SAFETY WARNINGS AND INSTRUCTIONS. KEEP THIS ILLUSTRATION WITH THE TOOL FOR FUTURE REFERENCE. IF YOU HAVE ANY QUESTIONS, CONTACT YOUR BOSTITCH REPRESENTATIVE DISTRIBUTOR.

ANTES DE LLEVAR A CABO CUALQUIER REPARACIÓN EN LA HERRAMIENTA, TODOS LOS OPERARIOS DEBERÁN ESTUDIAR ESTA ILUSTRACIÓN, ASÍ COMO LA LISTA DE PIEZAS Y EL MANUAL DE OPERACIÓN Y MANTENIMIENTO. LOS OPERARIOS DEBERÁN ENTENDER Y SEGUIR TODAS LAS ADVERTENCIAS E INSTRUCCIONES DE SEGURIDAD. CONSERVE ESTA ILUSTRACIÓN CON LA HERRAMIENTA PARA PODER CONSULTARLA EN LO FUTURO. SI TUVIERA ALGUNA PREGUNTA, PONGASE EN CONTACTO CON SU REPRESENTANTE O DISTRIBUIDOR DE BOSTITCH.

AVANT DE PROCÉDER À LA RÉPARATION DE CET OUTIL, LES OPÉRATEURS DOIVENT ÉTUDIER LA PRÉSENTE ILLUSTRATION AINSI QUE LA LISTE DE PIÈCES ET LE MANUEL D'INSTRUCTIONS ET D'ENTRETIEN ; ILS DOIVENT ÉGALEMENT COMPRENDRE ET OBSERVER LES CONSIGNES DE SÉCURITÉ ET LES INSTRUCTIONS. CONSERVER CETTE ILLUSTRATION AVEC L'OUTIL POUR RÉFÉRENCE FUTURE. SI VOUS AVEZ DES QUESTIONS, COMMUNIQUEZ AVEC VOTRE REPRÉSENTANT OU VOTRE DISTRIBUTEUR DE BOSTITCH.

# BT1855, BT1855-E

**OIL-FREE BRAD NAILER**  
**CLAVADORA DE CLAVITOS SIN ACIETE**  
**CLOUEUSE À SEMENCES SANS HUILE**



See reverse side for available accessories (not included)  
 \* Included in Rebuild Kit  
 \*\* Not included in BT1855-E

## BOSTITCH

<b>BT1855, BT1855-E</b>		<b>Parts List:</b>		IP1279-2REVE	
<b>To be Used with tool parts illustration:</b> IP1279-1REVD <b>and operation and maintenance manual:</b> 180585 <b>Serial Number on the Tool:</b> BT1855 <b>08301000</b> and Higher BT1855-E <b>08301000</b> and Higher					
ITEM	PART #	DESCRIPTION	ITEM	PART #	DESCRIPTION
1	100260	SCREW, SOC. HD. CAP M4 X 20	54	180319	SUPPORT, LATCH SPRING
2	181917	ASSEMBLY, CAP	55	175666	COVER, LATCH
3	175682	GASKET, FRAME/CAP	56	175665	END CAP, MAGAZINE
4	180445	PLATE, HEAD VALVE	58	175664	BRACKET, MAGAZINE
5	180446	SEAL, HEAD VALVE	59	180504	WASHER, FLAT, D4X8X1
6	180447	SPRING, HEAD VALVE	60	MHE4070-100	ELASTIC STOP NUT, M4
7	180448	O-RING, 33.5MMX2.0MM	61	175663	COVER, NOSE
8	180449	WASHER, PLAIN, D6X10X1	62	180505	SHOULDER SCREW
9	180450	BODY, HEAD VALVE	63	179760	FOOT, CONTACT (NO-MAR)
10	180451	ASSEMBLY, PISTON/DRIVER	64	180314	ASSEMBLY, TRIP
11	180457	RING, PISTON	65	180508	GUIDE, LOWER CONTACT ARM
12	180458	SLEEVE, CYLINDER	66	180509	ADJUSTING KNOB
13	180459	O-RING, 44.7MMX2.4MM	67	180510	ASSEMBLY, UPPER CONTACT ARM
14	180460	CHECK SEAL	68	180513	SPRING, CONTACT ARM
15	180461	BUMPER	69	180514	GUIDE, UPPER TRIP
16	180462	DRIVER GUIDE	70	180515	ASSEMBLY, BELT HOOK (for BT1855)
17	175656	FRAME, OVERMOLD		182272	ASSEMBLY, BELT HOOK, EU (for BT1855-E)
18	180463	GASKET, END CAP	71**	180301	LABEL, PRODUCT/FASTENER BT1855
19	180578	AIR FILTER		180296	LABEL, WARNING (for BT1855)
20	180465	END CAP	72	182241	LABEL, BT1855-E (for BT1855-E)
21	182237	SCREW, SHCS, M4X0.70X16	73	182234	PU-RING
22	180476	SPRING, TRIGGER	74	174345	PIN, SPRING, M3X28
23	TVA15	ASSEMBLY, TRIGGER VALVE	75	184518	BUTTON, TRIGGER LOCK
24	180475	PIN, SPRING, M3X20 MM	76	MSC4070-10	SCREW, SHCS, M4X0.70X10
25	184513	ASSEMBLY, TRIGGER	77**	181919	LABEL, WARNING
26	180481	SPRING, MODE SWITCH	78	184508	BUSHING, TRIGGER
27	184507	PIN, MODE SWITCH	79**	ISWIVEL-14M	INDUSTRIAL SWIVEL PLUG 1/4" MPT
28	184519	PIN, TRIGGER LOCK	80	180577	MUFFLER
29	MRG002514	O-RING,.098 x .055			
30	184506	BUTTON, MODE SWITCH			
31	180484	SCREW, SET, M3X8MM			
32	180207	BRACKET, TRIP			
33	180490	PIN, SPRING, M2X12MM			
34	MSC4070-12	SCREW, SHCS, M4X0.70X12			
35	180489	NOSE			
36	175661	CORE TIP, FIXED			
37	180488	MAGAZINE, FIXED			
38	180497	GUIDE, NAIL			
39	180498	PUSHER			
40	180491	PLUNGER, LOCK OUT			
41	180492	SPRING, LOCK OUT			
42	175662	PLATE, CORE			
43	180493	SPACER			
44	180494	E-RING, 2.5MM			
45	180499	ROLLER, PUSHER			
46	180496	PUSHER SPRING B			
47	180495	PUSHER SPRING A			
48	180238	SET NUT			
49	181915	MAGAZINE, SLIDING			
50	180500	REAR PLATE			
51	180503	PIN, SPRING M3X23MM			
52	180501	LATCH			
53	180502	SPRING, LATCH			

\*\* NOT INCLUDED IN BT1855-E (EURO VERSION)