

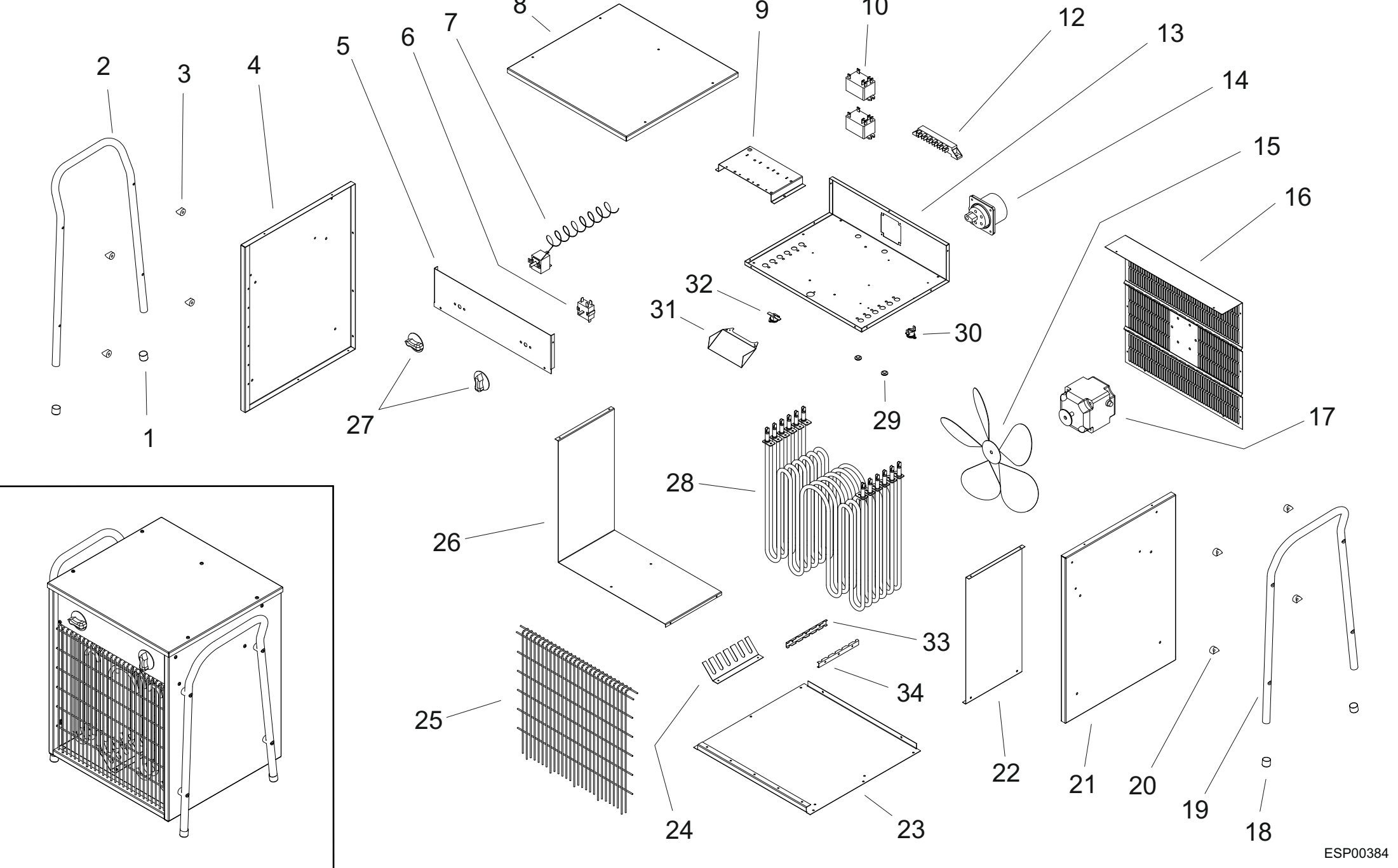
MODEL B 15 EPB

UNIT 1

ILLUSTRATED PARTS BREAKDOWN

From Serial Number: 08C36005885

Rev.A - Nov. 2016



MODEL B 15EPB

UNIT 2

PARTS LIST

Pos.	Code N°	Description	Rev.A - Nov. 2016
1	4510.623	HANDLE CAP	
2	4510.129	HANDLE	
3	4510.603	HANDLE SPACER	
4	4511.268	RIGHT PANEL	
5	4511.252	FRONTAL PANEL	
6	4510.401	SELECTOR	
7	4510.416	THERMOSTAT	
8	4511.270	UPPER PANEL	
9	4511.271	RELAY BRACKET	
10	4034.225	RELAY BOARD	
11			
12	4510.414	TERMINAL BOX	
13	4511.250	BASE	
14	4160.103	PANEL PLUG 5P	
15	4510.314	FAN	
16	4511.248	REAR PANEL	
17	4510.321	MOTOR	
18	4510.623	HANDLE CAP	
19	4510.129	HANDLE	
20	4510.603	HANDLE SPACER	
21	4511.269	LEFT PANEL	
22	4511.247	THERMAL SHIELD	
23	4511.272	LOWER PANEL	
24	4511.251	RESISTANCE BRACKET	
25	4511.274	FRONT GRILL	
26	4511.246	THERMAL L SHIELD	
27	4165.007	REGULATION HANDLE	
28	4510.374	RESISTANCE	
29	4511.621	WIRE PROTECTION	
30	4510.404	TEMPERATURE SENSOR	
31	4511.220	TEMPERATURE PROTECTION BRACKET	
32	4510.450	SAFETY THERMOSTAT	
33	4511.214	RIGHT RESISTANCE SUPPORT	
34	4511.245	LEFT RESISTANCE SUPPORT	

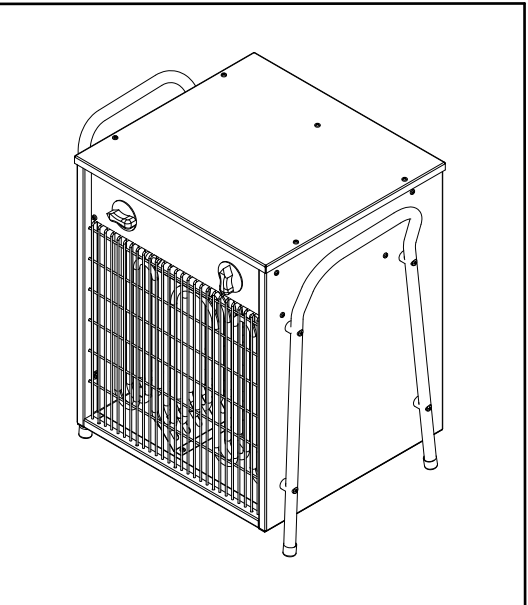
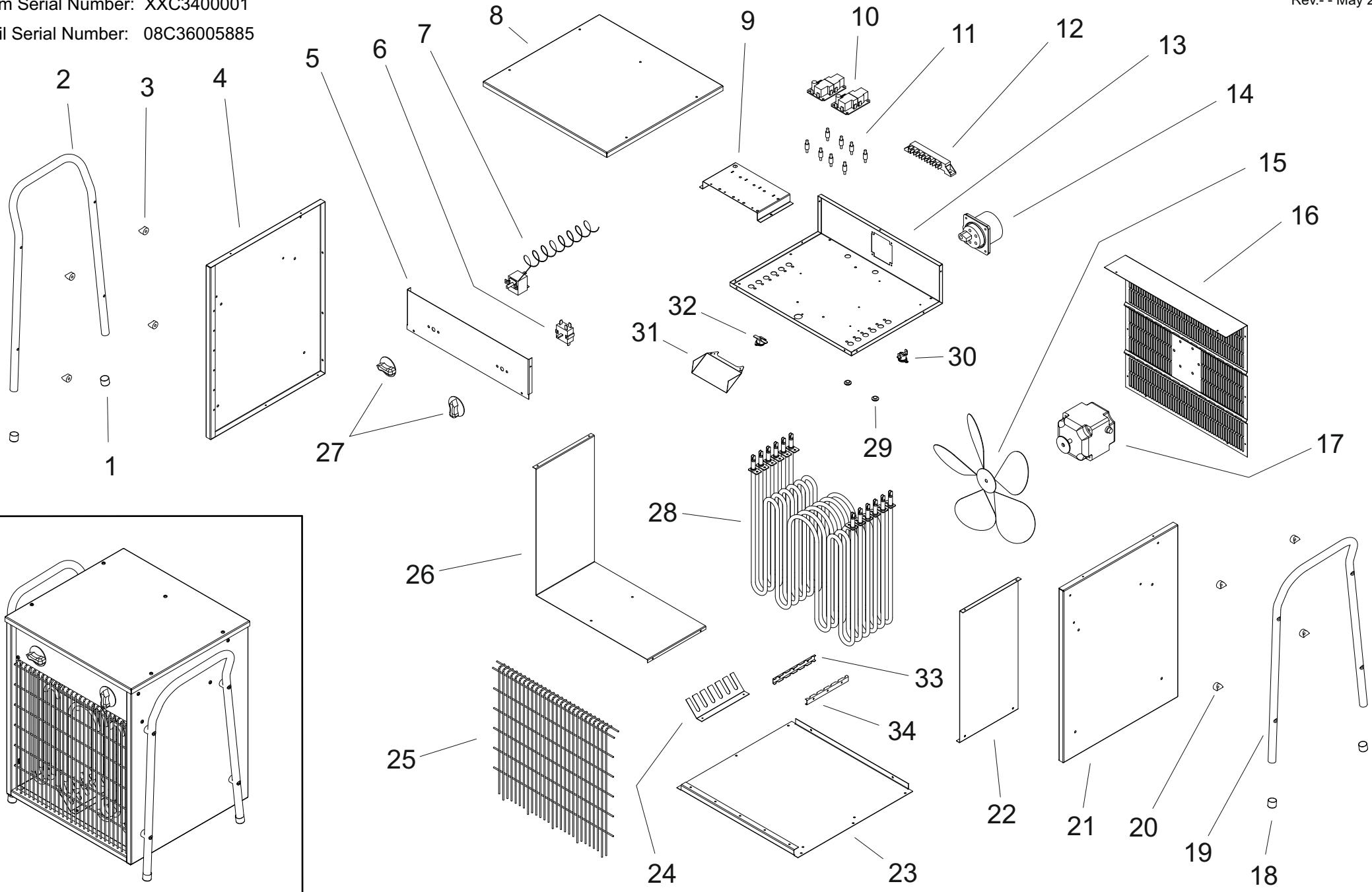
MODEL B 15 EPB

UNIT 1

ILLUSTRATED PARTS BREAKDOWN

From Serial Number: XXC3400001
Until Serial Number: 08C36005885

Rev. - May 2015



MODEL B 15EPB

UNIT 2

PARTS LIST

Pos.	Code N°	Description	Rev. - - June 2015
1	4510.623	HANDLE CAP	
2	4510.129	HANDLE	
3	4510.603	HANDLE SPACER	
4	4511.268	RIGHT PANEL	
5	4511.252	FRONTAL PANEL	
6	4510.401	SELECTOR	
7	4510.416	THERMOSTAT	
8	4511.270	UPPER PANEL	
9	4511.271	RELAY BRACKET	
10	4510.471	RELAY BOARD	
11	4517.613	BOARD SPACER	
12	4510.414	TERMINAL BOX	
13	4511.250	BASE	
14	4160.103	PANEL PLUG 5P	
15	4510.314	FAN	
16	4511.248	REAR PANEL	
17	4510.321	MOTOR	
18	4510.623	HANDLE CAP	
19	4510.129	HANDLE	
20	4510.603	HANDLE SPACER	
21	4511.269	LEFT PANEL	
22	4511.247	THERMAL SHIELD	
23	4511.272	LOWER PANEL	
24	4511.251	RESISTANCE BRACKET	
25	4511.274	FRONT GRILL	
26	4511.246	THERMAL L SHIELD	
27	4165.007	REGULATION HANDLE	
28	4510.374	RESISTANCE	
29	4511.621	WIRE PROTECTION	
30	4510.404	TEMPERATURE SENSOR	
31	4511.220	TEMPERATURE PROTECTION BRACKET	
32	4510.450	SAFETY THERMOSTAT	
33	4511.214	RIGHT RESISTANCE SUPPORT	
34	4511.245	LEFT RESISTANCE SUPPORT	